



# **STELLAR WORKS**

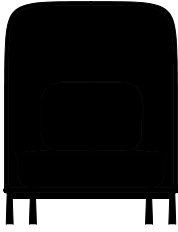
PRICE LIST 2023 (JPY)  
VERSION 2.0

## CONTENTS

ARC by Hallgeir Homstvedt .....	3
ATELIER by Space Copenhagen .....	11
AYA by OEO Studio .....	32
BLEND by Nendo .....	37
BLINK by Yabu Pushelberg .....	42
BUND by Neri & Hu .....	62
CABINRT OF CURIOSITY by Neri & Hu .....	68
CARLO by Carlo Forcolini .....	70
CHILLAX by Nic Graham .....	73
CRAWFORD by Tom Fereday .....	75
DAWN by Space Copenhagen .....	90
DISCIPLINE by Neri & Hu .....	93
DOWRY by Neri & Hu .....	99
EXCHANGE by Jun Aizaki - Crème .....	102
FLOAT by Michele De Lucchi .....	115
FRAME by Nendo .....	130
FREJA by Space Copenhagen .....	136
HOST by Sabastian Herkner .....	148
INDUSTRY by Neri & Hu .....	149
INFINITY by Space Copenhagen .....	154
JAMES by Yabu Pushelberg .....	162
JOURNEY by Space Copenhagen .....	165
KITE by Nendo .....	169
KYOTO by OEO Studio .....	173
LINEN .....	174
LUNAR by Space Copenhagen .....	177
MANDARIN by Neri & Hu .....	194
MING by Neri & Hu .....	199
ORI by Hallgeir Homstvedt .....	200
PAGODA by BassamFellows .....	202
QT by Nic Graham .....	208
REN by Space Copenhagen .....	211
RISOM by Jens Risom .....	225
RUG - WALL by Space Copenhagen .....	238
SEITON by OEO Studio .....	246
SLOW by Space Copenhagen .....	265
STACK by Neri & Hu .....	277
STAY by Michele De Lucchi .....	278
SW by OEO Studio .....	280
TAYLOR by Yabu Pushelberg .....	284
UTILITY by Neri & Hu .....	293
WOHLERT by Vilhelm Wohlert .....	330

# Arc Highback Lounge Chair

by Hallgeir Homstvedt

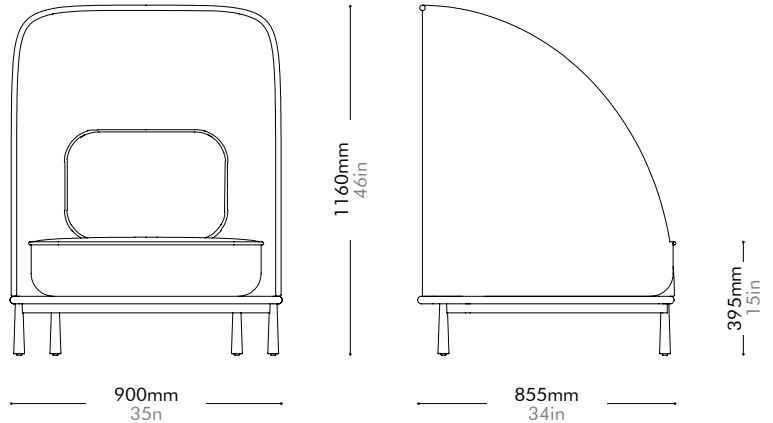


## AR-S121

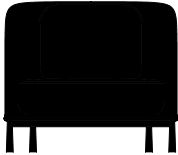
Materials	Wood veneer base, steel black powder coat matt leg, upholstery		
Dimensions	W900 x D855 x H1160mm; SH: 395mm   W35" x D34" x H46"; SH: 15"		
Weight	43.0kg   95lb		
Upholstery	6.6M   154.0SF		
Shipping Volume	1.17CBM		
Pkg Dimensions	FCL	W985 x D940 x H1265mm; 55.40kg   W39" x D37" x H50"; 122lb	
	LCL/AIR	W1005 x D960 x H1360mm; 66.61kg   W40" x D38" x H54"; 147lb	

<b>Oak</b>		Lead time: 10-12 weeks
COM/COL		<b>¥428,000</b>
Fabric	C	<b>¥428,000</b>
	B	<b>¥553,000</b>
	A	<b>¥597,000</b>
Leather	C	<b>¥627,000</b>
	B	<b>¥796,000</b>
	A	<b>¥954,000</b>
PU Leather		<b>¥428,000</b>

<b>Walnut</b>		Lead time: 10-12 weeks
COM/COL		<b>¥456,000</b>
Fabric	C	<b>¥456,000</b>
	B	<b>¥581,000</b>
	A	<b>¥625,000</b>
Leather	C	<b>¥654,000</b>
	B	<b>¥823,000</b>
	A	<b>¥982,000</b>
PU Leather		<b>¥456,000</b>



# Arc Lounge Chair by Hallgeir Homstvedt

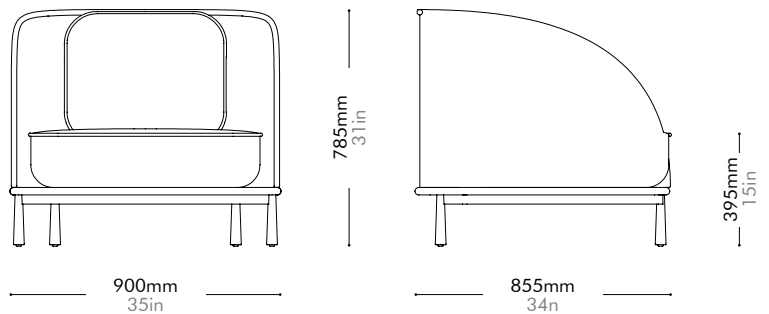


## AR-S111

Materials	Wood veneer base, steel black powder coat matt leg, upholstery		
Dimensions	W900 x D855 x H785mm; SH: 395mm   W35" x D34" x H31"; SH: 15"		
Weight	38.0kg   84lb		
Upholstery	5.5M   121.0SF		
Shipping Volume	0.82CBM		
Pkg Dimensions	FCL	W985 x D940 x H890mm; 46.58kg   W39" x D37" x H35"; 103lb	
	LCL/AIR	W1005 x D960 x H985mm; 57.79kg   W40" x D38" x H39"; 127lb	

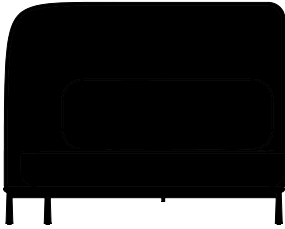
<b>Oak</b>		Lead time: 10-12 weeks
COM/COL		<b>¥395,000</b>
Fabric	C	<b>¥395,000</b>
	B	<b>¥497,000</b>
	A	<b>¥533,000</b>
Leather	C	<b>¥549,000</b>
	B	<b>¥682,000</b>
	A	<b>¥807,000</b>
PU Leather		<b>¥395,000</b>

<b>Walnut</b>		Lead time: 10-12 weeks
COM/COL		<b>¥422,000</b>
Fabric	C	<b>¥422,000</b>
	B	<b>¥525,000</b>
	A	<b>¥561,000</b>
Leather	C	<b>¥577,000</b>
	B	<b>¥710,000</b>
	A	<b>¥834,000</b>
PU Leather		<b>¥422,000</b>



# Arc Sofa High-back Love Seat L

by Hallgeir Homstvedt

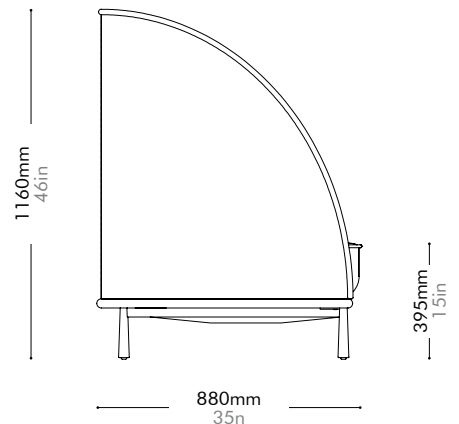
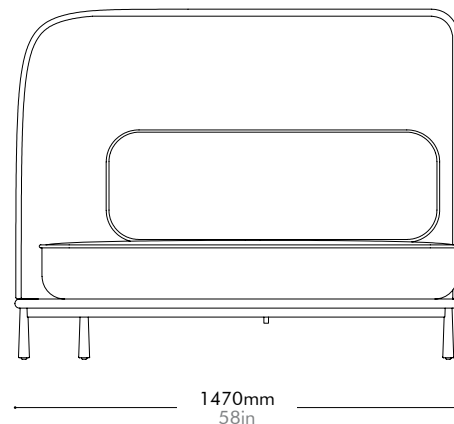


## AR-S410-L

Materials	Wood veneer base, steel black powder coat matt leg, upholstery		
Dimensions	W1470 x D880 x H1160mm; SH: 395mm   W58" x D35" x H46"; SH: 15"		
Weight	68.0kg   150lb		
Upholstery	6.6M   176.0SF		
Shipping Volume	1.90CBM		
Pkg Dimensions	FCL	W1555 x D965 x H1265mm; 83.72kg   W61" x D38" x H50"; 185lb	
	LCL/AIR	W1575 x D985 x H1360mm; 101.75kg   W62" x D39" x H54"; 224lb	

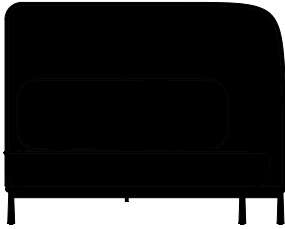
<b>Oak</b>		Lead time: 10-12 weeks
COM/COL		<b>¥506,000</b>
Fabric	C	<b>¥506,000</b>
	B	<b>¥653,000</b>
	A	<b>¥704,000</b>
Leather	C	<b>¥769,000</b>
	B	<b>¥986,000</b>
	A	<b>¥1,190,000</b>
PU Leather		<b>¥506,000</b>

<b>Walnut</b>		Lead time: 10-12 weeks
COM/COL		<b>¥539,000</b>
Fabric	C	<b>¥539,000</b>
	B	<b>¥685,000</b>
	A	<b>¥736,000</b>
Leather	C	<b>¥801,000</b>
	B	<b>¥1,018,000</b>
	A	<b>¥1,222,000</b>
PU Leather		<b>¥539,000</b>



# Arc Sofa High-back Love Seat R

by Hallgeir Homstvedt

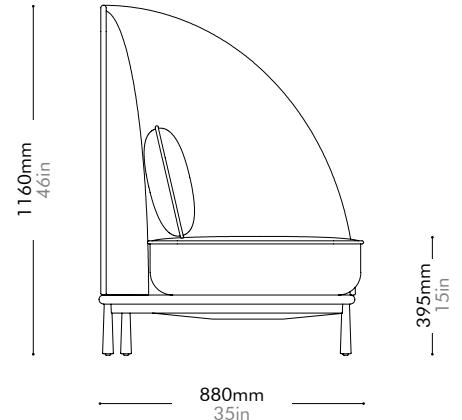
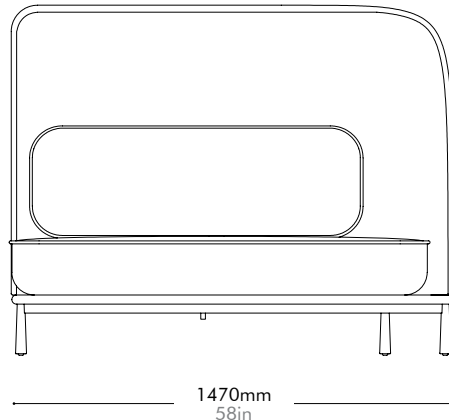


## AR-S410-R

Materials	Wood veneer base, steel black powder coat matt leg, upholstery		
Dimensions	W1470 x D880 x H1160mm; SH: 395mm   W58" x D35" x H46"; SH: 15"		
Weight	68.0kg   150lb		
Upholstery	6.6M   176.0SF		
Shipping Volume	1.90CBM		
Pkg Dimensions	FCL	W1555 x D965 x H1265mm; 83.72kg   W61" x D38" x H50"; 185lb	
	LCL/AIR	W1575 x D985 x H1360mm; 101.75kg   W62" x D39" x H54"; 224lb	

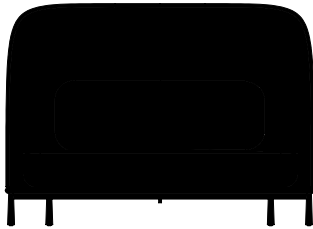
<b>Oak</b>		Lead time: 10-12 weeks
COM/COL		<b>¥506,000</b>
Fabric	C	<b>¥506,000</b>
	B	<b>¥653,000</b>
	A	<b>¥704,000</b>
Leather	C	<b>¥769,000</b>
	B	<b>¥986,000</b>
	A	<b>¥1,190,000</b>
PU Leather		<b>¥506,000</b>

<b>Walnut</b>		Lead time: 10-12 weeks
COM/COL		<b>¥539,000</b>
Fabric	C	<b>¥539,000</b>
	B	<b>¥685,000</b>
	A	<b>¥736,000</b>
Leather	C	<b>¥801,000</b>
	B	<b>¥1,018,000</b>
	A	<b>¥1,222,000</b>
PU Leather		<b>¥539,000</b>



# Arc Sofa High-back Love Seat

by Hallgeir Homstvedt

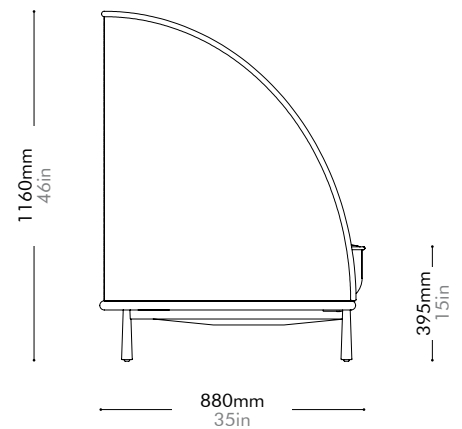
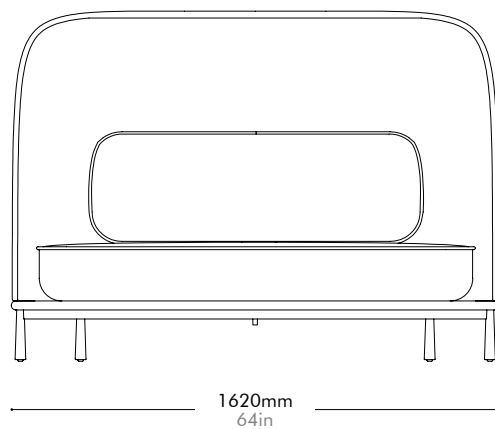


## AR-S410

Materials	Wood veneer base, steel black powder coat matt leg, upholstery		
Dimensions	W1620 x D880 x H1160mm; SH: 395mm   W64" x D35" x H46"; SH: 15"		
Weight	72.0kg   159lb		
Upholstery	7.7M   198.0SF		
Shipping Volume	2.08CBM		
Pkg Dimensions	FCL	W1705 x D965 x H1265mm; 88.56kg   W67" x D38" x H50"; 195lb	
	LCL/AIR	W1725 x D985 x H1360mm; 108.30kg   W68" x D39" x H54"; 239lb	

<b>Oak</b>		Lead time: 10-12 weeks
COM/COL		<b>¥532,000</b>
Fabric	C	<b>¥532,000</b>
	B	<b>¥678,000</b>
	A	<b>¥729,000</b>
Leather	C	<b>¥812,000</b>
	B	<b>¥1,042,000</b>
	A	<b>¥1,257,000</b>
PU Leather		<b>¥532,000</b>

<b>Walnut</b>		Lead time: 10-12 weeks
COM/COL		<b>¥578,000</b>
Fabric	C	<b>¥578,000</b>
	B	<b>¥724,000</b>
	A	<b>¥776,000</b>
Leather	C	<b>¥859,000</b>
	B	<b>¥1,088,000</b>
	A	<b>¥1,303,000</b>
PU Leather		<b>¥578,000</b>



# Arc Sofa Love Seat by Hallgeir Homstvedt

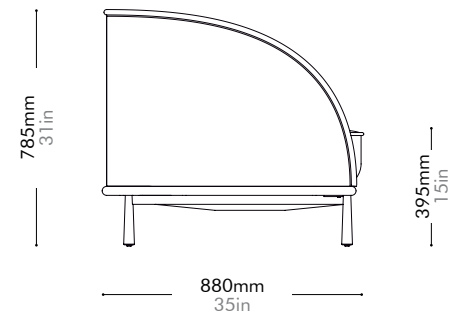
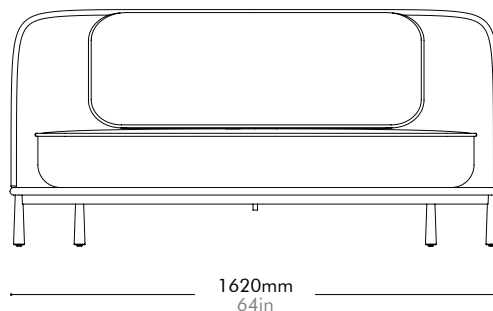


## AR-S430

Materials	Wood veneer base, steel black powder coat matt leg, upholstery		
Dimensions	W1620 x D880 x H785mm; SH: 395mm   W64" x D35" x H31"; SH: 15"		
Weight	68.0kg   150lb		
Upholstery	7.2M   165.0SF		
Shipping Volume	1.46CBM		
Pkg Dimensions	FCL	W1705 x D965 x H890mm; 80.03kg   W67" x D38" x H35"; 176lb	
	LCL/AIR	W1725 x D985 x H985mm; 99.78kg   W68" x D39" x H39"; 220lb	

<b>Oak</b>		Lead time: 10-12 weeks
COM/COL		<b>¥500,000</b>
Fabric	C	<b>¥500,000</b>
	B	<b>¥646,000</b>
	A	<b>¥697,000</b>
Leather	C	<b>¥762,000</b>
	B	<b>¥980,000</b>
	A	<b>¥1,183,000</b>
PU Leather		<b>¥500,000</b>

<b>Walnut</b>		Lead time: 10-12 weeks
COM/COL		<b>¥522,000</b>
Fabric	C	<b>¥522,000</b>
	B	<b>¥669,000</b>
	A	<b>¥720,000</b>
Leather	C	<b>¥785,000</b>
	B	<b>¥1,002,000</b>
	A	<b>¥1,206,000</b>
PU Leather		<b>¥522,000</b>

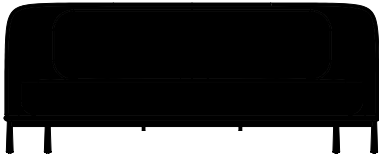




# Arc Sofa

## Three Seater

by Hallgeir Homstvedt

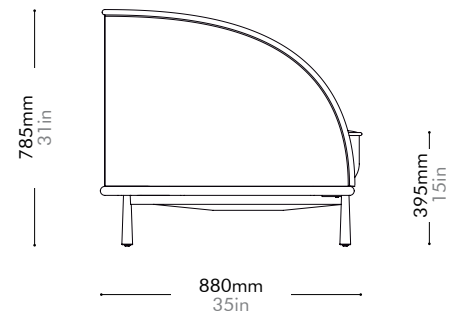
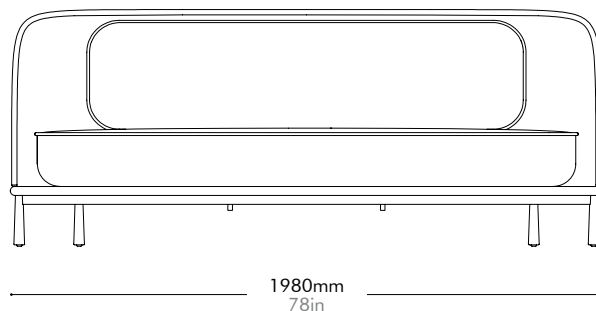


### AR-S420

Materials	Wood veneer base, steel black powder coat matt leg, upholstery		
Dimensions	W1980 x D880 x H785mm; SH: 395mm   W78" x D35" x H31"; SH: 15"		
Weight	76.0kg   168lb		
Upholstery	8.3M   198.0SF		
Shipping Volume	1.77CBM		
Pkg Dimensions	FCL	W2065 x D965 x H890mm; 89.70kg   W81" x D38" x H35"; 198lb	
	LCL/AIR	W2085 x D985 x H985mm; 113.57kg   W82" x D39" x H39"; 250lb	

<b>Oak</b>		Lead time: 10-12 weeks
COM/COL		<b>¥706,000</b>
Fabric	C	<b>¥706,000</b>
	B	<b>¥852,000</b>
	A	<b>¥903,000</b>
Leather	C	<b>¥945,000</b>
	B	<b>¥1,147,000</b>
	A	<b>¥1,336,000</b>
PU Leather		<b>¥706,000</b>

<b>Walnut</b>		Lead time: 10-12 weeks
COM/COL		<b>¥729,000</b>
Fabric	C	<b>¥729,000</b>
	B	<b>¥875,000</b>
	A	<b>¥926,000</b>
Leather	C	<b>¥969,000</b>
	B	<b>¥1,170,000</b>
	A	<b>¥1,359,000</b>
PU Leather		<b>¥729,000</b>



# Arc Coffee Table

by Hallgeir  
Homstvedt

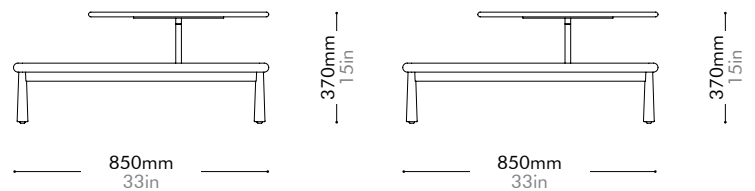


## AR-T210

Materials	Wood veneer top, steel black powder coat matt, stone top
Dimensions	W850 x D850 x H370mm   W33" x D33" x H15"
Weight	35.0kg   77lb
Upholstery	
Shipping Volume	0.23CBM
Pkg Dimensions	FCL W915 x D915 x H275mm; 38.54kg   W36" x D36" x H11"; 85lb
	LCL/AIR W935 x D935 x H370mm; 48.70kg   W37" x D37" x H15"; 107lb

Oak	Lead time: 10-12 weeks
Stone A	¥269,000
Stone B	¥245,000

Walnut	Lead time: 10-12 weeks
Stone A	¥276,000
Stone B	¥252,000



# Atelier Center-Skirt

by Space Copenhagen

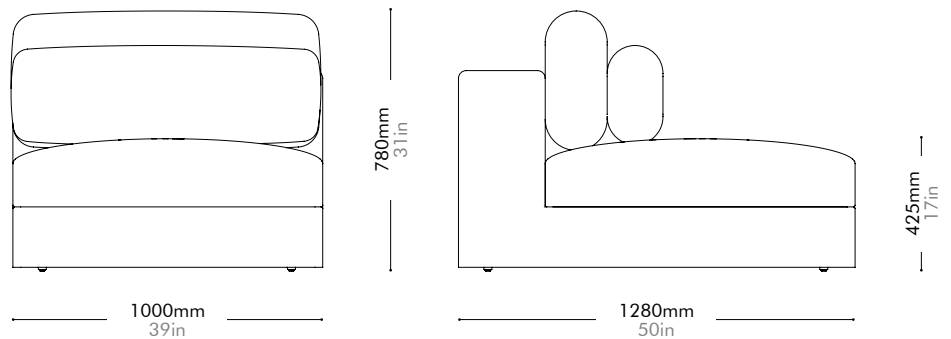


## AT-S410

Materials	Solid wood and plywood frame, upholstery	
Dimensions	W1000 x D1280 x H780mm; SH: 425mm   W39" x D50" x H31"; SH: 17"	
Weight	30.0kg   66lb	
Upholstery	7.3M	
Shipping Volume	1.14CBM	
Pkg Dimensions	FCL	W1100 x D1380 x H750mm; 39.85kg   W43" x D54" x H29"; 88lb
	LCL/AIR	W1120 x D1400 x H845mm; 58.07kg   W44" x D55" x H33"; 128lb

**Oak / Walnut** Lead time: 10-12 weeks

COM/COL		<b>¥307,000</b>
Fabric	C	<b>¥307,000</b>
	B	<b>¥439,000</b>
	A	<b>¥485,000</b>



# Atelier Corner-Skirt

by Space  
Copenhagen

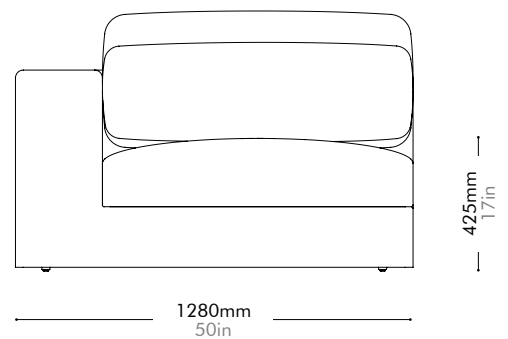
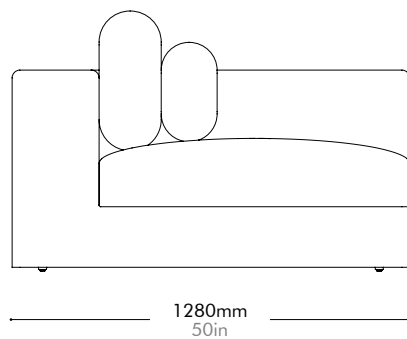


## AT-S420

Materials	Solid wood and plywood frame, upholstery		
Dimensions	W1280 x D1280 x H780mm; SH: 425mm   W50" x D50" x H31"; SH: 17"		
Weight	45.0kg   99lb		
Upholstery	9.1M		
Shipping Volume	1.43CBM		
Pkg Dimensions	FCL	W1380 x D1380 x H750mm; 56.34kg   W54" x D54" x H30"; 124lb	
	LCL/AIR	W1400 x D1400 x H845mm; 79.12kg   W55" x D55" x H33"; 174lb	

**Oak / Walnut** Lead time: 10-12 weeks

COM/COL		<b>¥354,000</b>
Fabric	C	<b>¥354,000</b>
	B	<b>¥519,000</b>
	A	<b>¥577,000</b>



# Atelier Chaise Lounge L-Skirt by Space Copenhagen

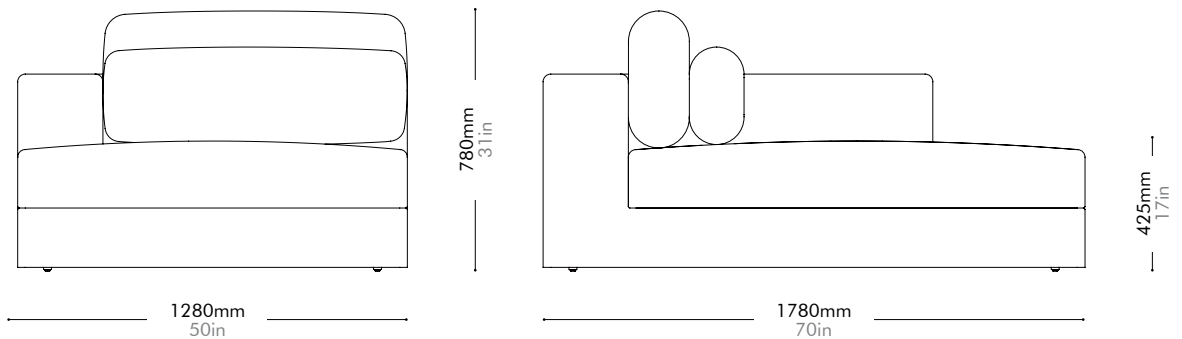


## AT-S430-L

Materials	Solid wood and plywood frame, upholstery		
Dimensions	W1280 x D1780 x H780mm; SH: 425mm   W50" x D70" x H31"; SH: 17"		
Weight	60.0kg   132lb		
Upholstery	11.2M		
Shipping Volume	1.95CBM		
Pkg Dimensions	FCL	W1380 x D1880 x H750mm; 74.0kg   W54" x D74" x H30"; 163lb	
	LCL/AIR	W1400 x D1900 x H845mm; 104.91kg   W55" x D75" x H33"; 231lb	

**Oak / Walnut** Lead time: 10-12 weeks

COM/COL		<b>¥465,000</b>
Fabric	C	<b>¥465,000</b>
	B	<b>¥668,000</b>
	A	<b>¥739,000</b>



# Atelier Chaise Lounge R-Skirt by Space Copenhagen

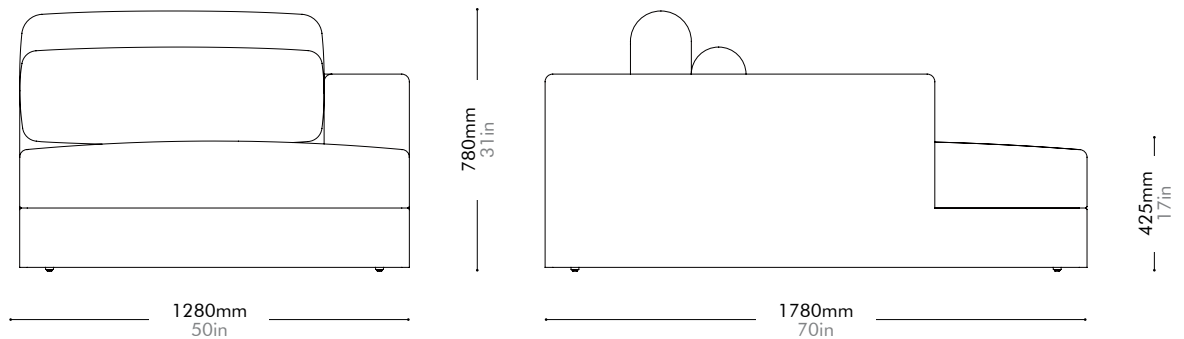


## AT-S430-R

Materials	Solid wood and plywood frame, upholstery		
Dimensions	W1280 x D1780 x H780mm; SH: 425mm   W50" x D70" x H31"; SH: 17"		
Weight	60.0kg   132lb		
Upholstery	11.2M		
Shipping Volume	1.95CBM		
Pkg Dimensions	FCL	W1380 x D1880 x H750mm; 74.0kg   W54" x D74" x H30"; 163lb	
	LCL/AIR	W1400 x D1900 x H845mm; 104.91kg   W55" x D75" x H33"; 231lb	

**Oak / Walnut** Lead time: 10-12 weeks

COM/COL		<b>¥465,000</b>
Fabric	C	<b>¥465,000</b>
	B	<b>¥668,000</b>
	A	<b>¥739,000</b>



# Atelier Ottoman-Skirt by Space Copenhagen

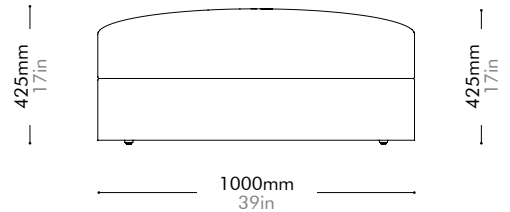
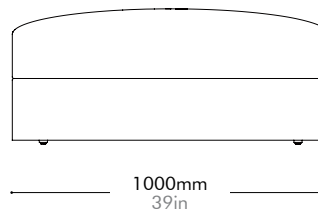


## AT-S510

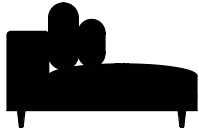
Materials	Solid wood and plywood frame, upholstery		
Dimensions	W1000 x D1000 x H425mm; SH: 425mm   W39" x D39" x H17"; SH: 17"		
Weight	20.0kg   44lb		
Upholstery	3.5M		
Shipping Volume	0.58CBM		
Pkg Dimensions	FCL	W1065 x D1065 x H510mm; 26.20kg   W42" x D42" x H20"; 58lb	
	LCL/AIR	W1085 x D1085 x H605mm; 39.88kg   W43" x D43" x H24"; 88lb	

**Oak / Walnut** Lead time: 10-12 weeks

COM/COL		<b>¥211,000</b>
Fabric	C	<b>¥211,000</b>
	B	<b>¥273,000</b>
	A	<b>¥295,000</b>



# Atelier Center- Leg by Space Copenhagen

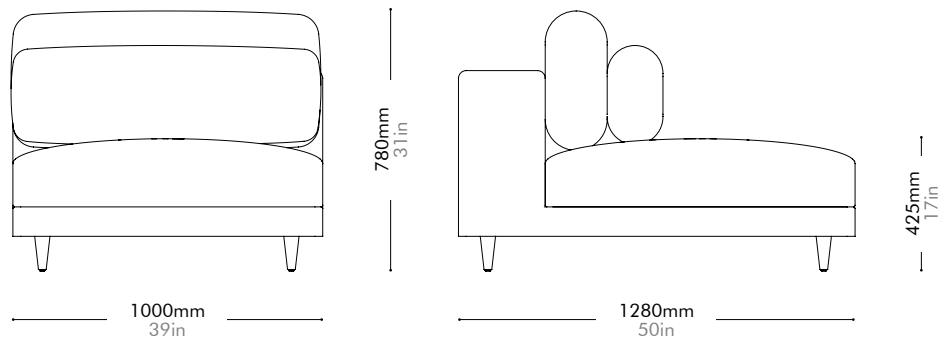


## AT-S411

Materials	Solid wood and plywood frame, upholstery		
Dimensions	W1000 x D1280 x H780mm; SH: 425mm   W39" x D50" x H31"; SH: 17"		
Weight	30.0kg   66lb		
Upholstery	7.3M		
Shipping Volume	1.14CBM		
Pkg Dimensions	FCL	W1100 x D1380 x H750mm; 39.85kg   W43" x D54" x H29"; 88lb	
	LCL/AIR	W1120 x D1400 x H845mm; 58.07kg   W44" x D55" x H33"; 128lb	

**Oak / Walnut** Lead time: 10-12 weeks

COM/COL		<b>¥307,000</b>
Fabric	C	<b>¥307,000</b>
	B	<b>¥439,000</b>
	A	<b>¥485,000</b>





# Atelier Corner-Leg by Space Copenhagen

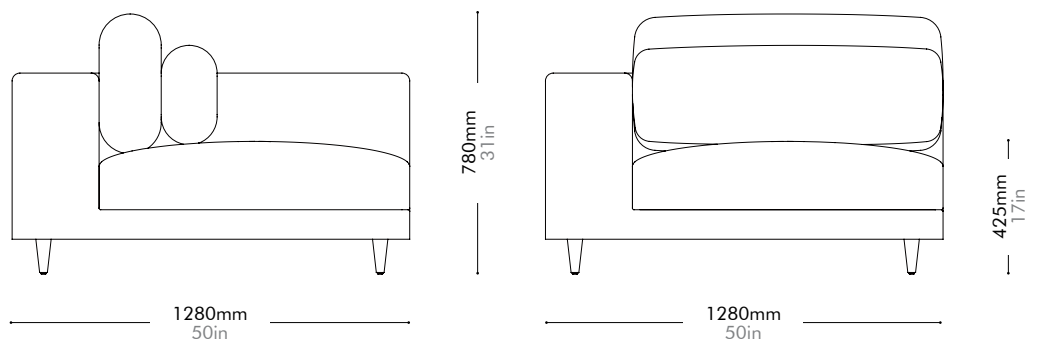


## AT-S421

Materials	Solid wood and plywood frame, upholstery		
Dimensions	W1280 x D1280 x H780mm; SH: 425mm   W50" x D50" x H31"; SH: 17"		
Weight	45.0kg   99lb		
Upholstery	9.1M		
Shipping Volume	1.43CBM		
Pkg Dimensions	FCL	W1380 x D1380 x H750mm; 56.34kg   W54" x D54" x H30"; 124lb	
	LCL/AIR	W1400 x D1400 x H845mm; 79.12kg   W55" x D55" x H33"; 174lb	

**Oak / Walnut** Lead time: 10-12 weeks

COM/COL		<b>¥354,000</b>
Fabric	C	<b>¥354,000</b>
	B	<b>¥519,000</b>
	A	<b>¥577,000</b>



# Atelier Chaise Lounge L-Leg by Space Copenhagen

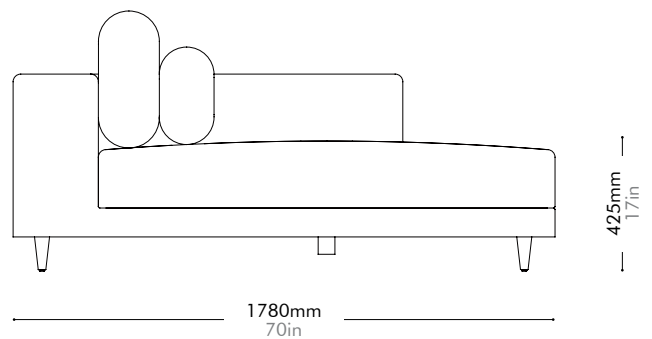
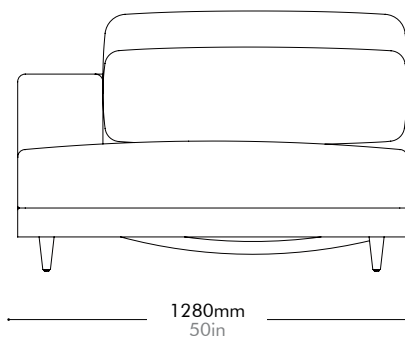


## AT-S431-L

Materials	Solid wood and plywood frame, upholstery		
Dimensions	W1280 x D1780 x H780mm; SH: 425mm   W50" x D70" x H31"; SH: 17"		
Weight	60.0kg   132lb		
Upholstery	11.2M		
Shipping Volume	1.95CBM		
Pkg Dimensions	FCL	W1380 x D1880 x H750mm; 74.0kg   W54" x D74" x H30"; 163lb	
	LCL/AIR	W1400 x D1900 x H845mm; 104.91kg   W55" x D75" x H33"; 231lb	

**Oak / Walnut** Lead time: 10-12 weeks

COM/COL		<b>¥465,000</b>
Fabric	C	<b>¥465,000</b>
	B	<b>¥668,000</b>
	A	<b>¥739,000</b>



# Atelier Chaise Lounge R-Leg by Space Copenhagen

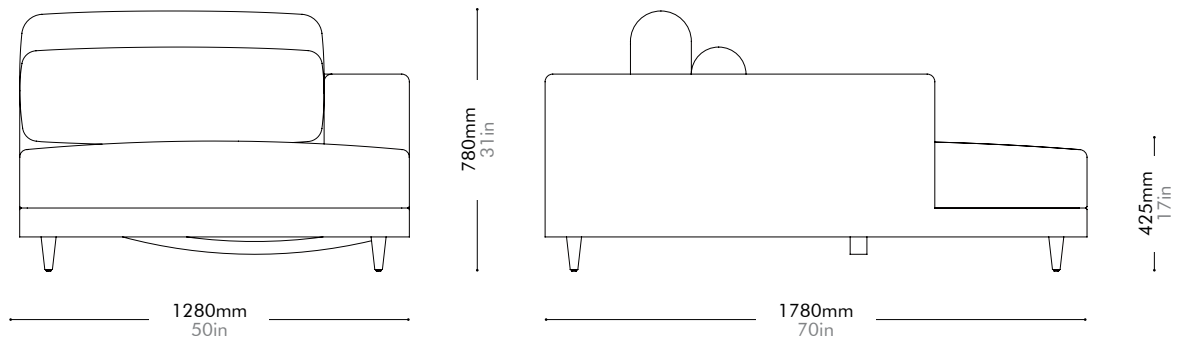


## AT-S431-R

Materials	Solid wood and plywood frame, upholstery		
Dimensions	W1280 x D1780 x H780mm; SH: 425mm   W50" x D70" x H31"; SH: 17"		
Weight	60.0kg   132lb		
Upholstery	11.2M		
Shipping Volume	1.95CBM		
Pkg Dimensions	FCL	W1380 x D1880 x H750mm; 74.0kg   W54" x D74" x H30"; 163lb	
	LCL/AIR	W1400 x D1900 x H845mm; 104.91kg   W55" x D75" x H33"; 231lb	

**Oak / Walnut** Lead time: 10-12 weeks

COM/COL		<b>¥465,000</b>
Fabric	C	<b>¥465,000</b>
	B	<b>¥668,000</b>
	A	<b>¥739,000</b>



# Atelier Ottoman-Leg by Space Copenhagen

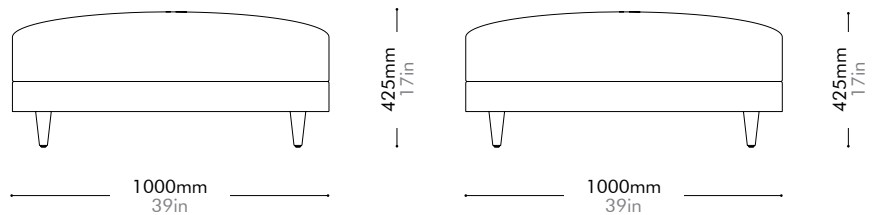


## AT-S511

Materials	Solid wood and plywood frame, upholstery		
Dimensions	W1000 x D1000 x H425mm; SH: 425mm   W39" x D39" x H17"; SH: 17"		
Weight	20.0kg   44lb		
Upholstery	3.5M		
Shipping Volume	0.58CBM		
Pkg Dimensions	FCL	W1065 x D1065 x H510mm; 26.20kg   W42" x D42" x H20"; 58lb	
	LCL/AIR	W1085 x D1085 x H605mm; 39.88kg   W43" x D43" x H24"; 88lb	

**Oak / Walnut** Lead time: 10-12 weeks

COM/COL		<b>¥211,000</b>
Fabric	C	<b>¥211,000</b>
	B	<b>¥273,000</b>
	A	<b>¥295,000</b>



# Atelier Small Center-Skirt by Space Copenhagen

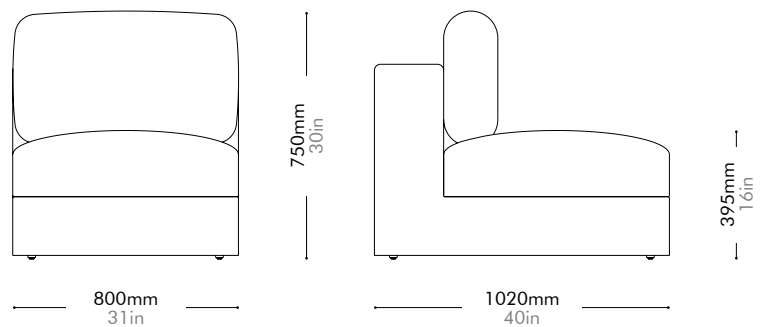


## AT-S440

Materials	Solid wood and plywood frame, upholstery		
Dimensions	W800 x D1020 x H750mm; SH: 395mm   W31" x D40" x H30"; SH: 16"		
Weight	20.0kg   44lb		
Upholstery	5.0M		
Shipping Volume	0.73CBM		
Pkg Dimensions	FCL	W900 x D1120 x H720mm; 27.45kg   W35" x D44" x H28"; 61lb	
	LCL/AIR	W920 x D1140 x H815mm; 39.64kg   W36" x D45" x H32"; 87lb	

**Oak / Walnut** Lead time: 10-12 weeks

COM/COL		<b>¥225,000</b>
Fabric	C	<b>¥225,000</b>
	B	<b>¥304,000</b>
	A	<b>¥332,000</b>



# Atelier Small Corner-Skirt by Space Copenhagen

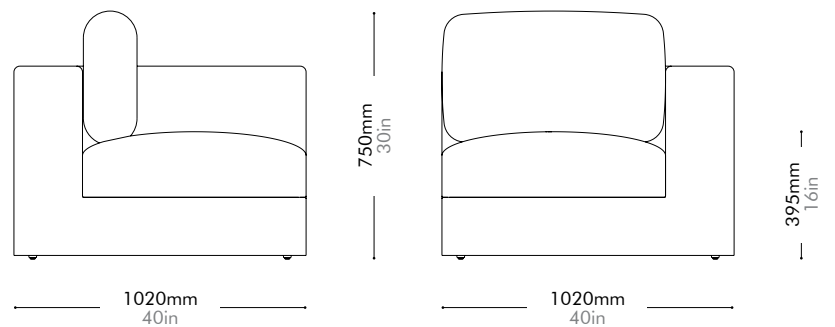


## AT-S450

Materials	Solid wood and plywood frame, upholstery		
Dimensions	W1020 x D1020 x H750mm; SH: 395mm   W40" x D40" x H30"; SH: 16"		
Weight	30.0kg   66lb		
Upholstery	5.5M		
Shipping Volume	0.90CBM		
Pkg Dimensions	FCL	W1120 x D1120 x H720mm; 38.46kg   W44" x D44" x H28"; 85lb	
	LCL/AIR	W1140 x D1140 x H815mm; 53.57kg   W45" x D45" x H32"; 118lb	

**Oak / Walnut** Lead time: 10-12 weeks

COM/COL		<b>¥259,000</b>
Fabric	C	<b>¥259,000</b>
	B	<b>¥361,000</b>
	A	<b>¥397,000</b>



# Atelier Small Chaise Lounge L-Skirt by Space Copenhagen

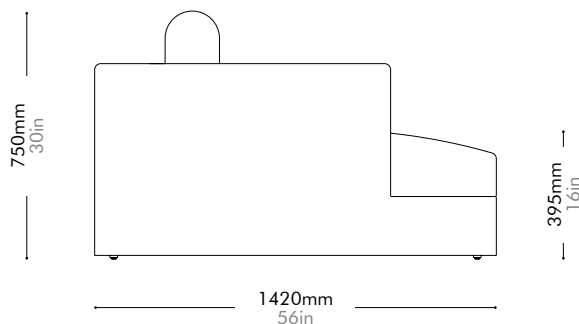
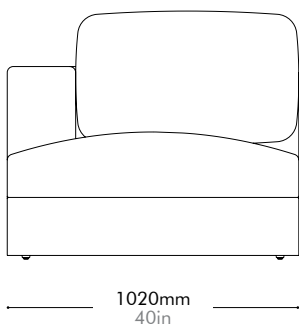


## AT-S460-L

Materials	Solid wood and plywood frame, upholstery		
Dimensions	W1020 x D1420 x H750mm; SH: 395mm   W40" x D56" x H30"; SH: 16"		
Weight	40.0kg   88lb		
Upholstery	6.6M		
Shipping Volume	1.23CBM		
Pkg Dimensions	FCL	W1120 x D1520 x H720mm; 50.30kg   W44" x D60" x H28"; 111lb	
	LCL/AIR	W1140 x D1540 x H815mm; 70.70kg   W45" x D61" x H32"; 156lb	

**Oak / Walnut** Lead time: 10-12 weeks

COM/COL		<b>¥335,000</b>
Fabric	C	<b>¥335,000</b>
	B	<b>¥459,000</b>
	A	<b>¥502,000</b>



# Atelier Small Chaise Lounge R-Skirt by Space Copenhagen

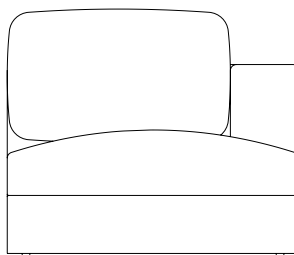


## AT-S460-R

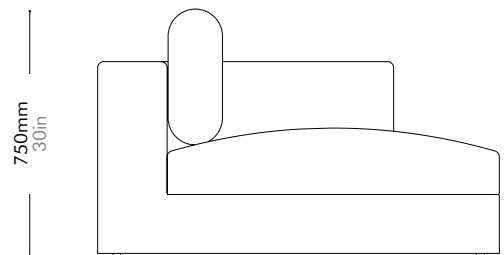
Materials	Solid wood and plywood frame, upholstery	
Dimensions	W1020 x D1420 x H750mm; SH: 395mm   W40" x D56" x H30"; SH: 16"	
Weight	40.0kg   88lb	
Upholstery	6.6M	
Shipping Volume	1.23CBM	
Pkg Dimensions	FCL	W1120 x D1520 x H720mm; 50.30kg   W44" x D60" x H28"; 111lb
	LCL/AIR	W1140 x D1540 x H815mm; 70.70kg   W45" x D61" x H32"; 156lb

**Oak / Walnut** Lead time: 10-12 weeks

COM/COL		<b>¥335,000</b>
Fabric	C	<b>¥335,000</b>
	B	<b>¥459,000</b>
	A	<b>¥502,000</b>



1020mm  
40in



1420mm  
56in

395mm  
16in



# Atelier Small Ottoman-Skirt by Space Copenhagen

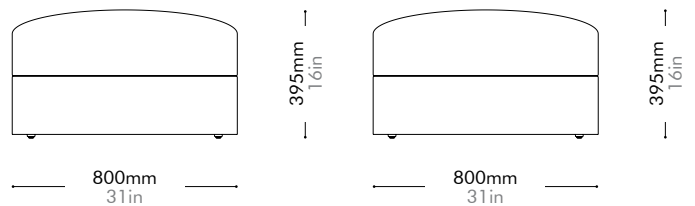


## AT-S520

Materials	Solid wood and plywood frame, upholstery	
Dimensions	W800 x D800 x H395mm; SH: 395mm   W31" x D31" x H16"; SH: 16"	
Weight	12.0kg   26lb	
Upholstery	2.2M	
Shipping Volume	0.36CBM	
Pkg Dimensions	FCL	W865 x D865 x H480mm; 16.52kg   W34" x D34" x H19"; 36lb
	LCL/AIR	W885 x D885 x H575mm; 25.62kg   W35" x D35" x H23"; 56lb

**Oak / Walnut** Lead time: 10-12 weeks

COM/COL		<b>¥161,000</b>
Fabric	C	<b>¥161,000</b>
	B	<b>¥207,000</b>
	A	<b>¥224,000</b>



# Atelier Small Center-Leg by Space Copenhagen

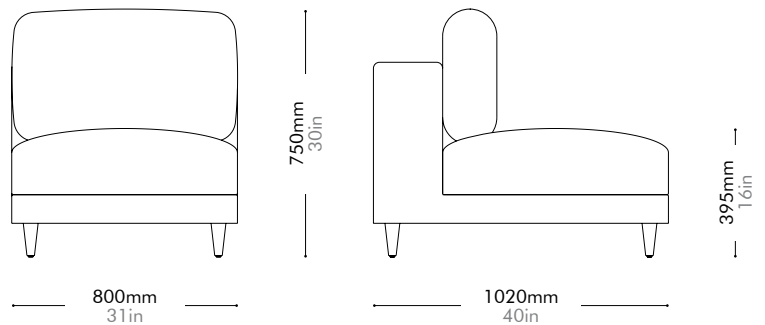


## AT-S441

Materials	Solid wood and plywood frame, upholstery		
Dimensions	W800 x D1020 x H750mm; SH: 395mm   W31" x D40" x H30"; SH: 16"		
Weight	20.0kg   44lb		
Upholstery	5.0M		
Shipping Volume	0.73CBM		
Pkg Dimensions	FCL	W900 x D1120 x H720mm; 27.45kg   W35" x D44" x H28"; 61lb	
	LCL/AIR	W920 x D1140 x H815mm; 39.64kg   W36" x D45" x H32"; 87lb	

**Oak / Walnut** Lead time: 10-12 weeks

COM/COL		<b>¥225,000</b>
Fabric	C	<b>¥225,000</b>
	B	<b>¥304,000</b>
	A	<b>¥332,000</b>



# Atelier Small Corner-Leg by Space Copenhagen

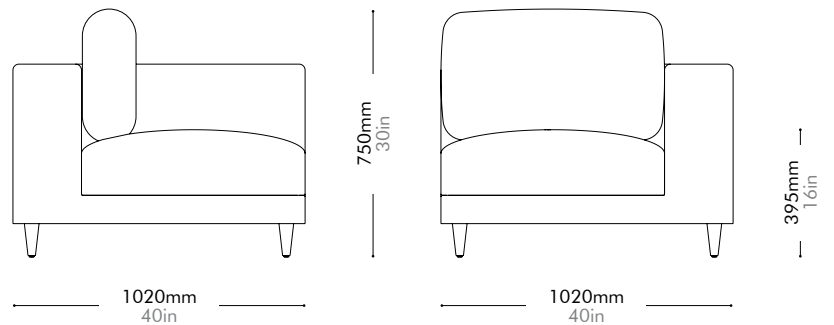


## AT-S451

Materials	Solid wood and plywood frame, upholstery		
Dimensions	W1020 x D1020 x H750mm; SH: 395mm   W40" x D40" x H30"; SH: 16"		
Weight	30.0kg   66lb		
Upholstery	5.5M		
Shipping Volume	0.90CBM		
Pkg Dimensions	FCL	W1120 x D1120 x H720mm; 38.46kg   W44" x D44" x H28"; 85lb	
	LCL/AIR	W1140 x D1140 x H815mm; 53.57kg   W45" x D45" x H32"; 118lb	

**Oak / Walnut** Lead time: 10-12 weeks

COM/COL		<b>¥259,000</b>
Fabric	C	<b>¥259,000</b>
	B	<b>¥361,000</b>
	A	<b>¥397,000</b>



# Atelier Small Chaise Lounge L-Leg by Space Copenhagen

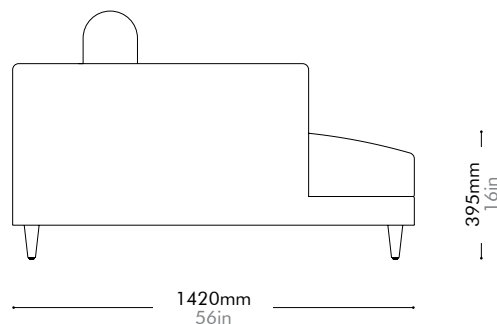
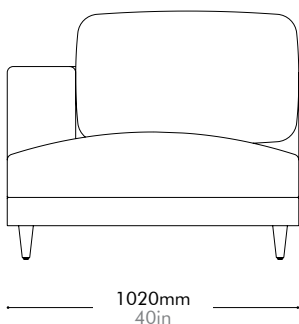


## AT-S461-L

Materials	Solid wood and plywood frame, upholstery	
Dimensions	W1020 x D1420 x H750mm; SH: 395mm   W40" x D56" x H30"; SH: 16"	
Weight	40.0kg   88lb	
Upholstery	6.6M	
Shipping Volume	1.23CBM	
Pkg Dimensions	FCL	W1120 x D1520 x H720mm; 50.30kg   W44" x D60" x H28"; 111lb
	LCL/AIR	W1140 x D1540 x H815mm; 70.70kg   W45" x D61" x H32"; 156lb

**Oak / Walnut** Lead time: 10-12 weeks

COM/COL		<b>¥335,000</b>
Fabric	C	<b>¥335,000</b>
	B	<b>¥459,000</b>
	A	<b>¥502,000</b>



# Atelier Small Chaise Lounge R-Leg by Space Copenhagen

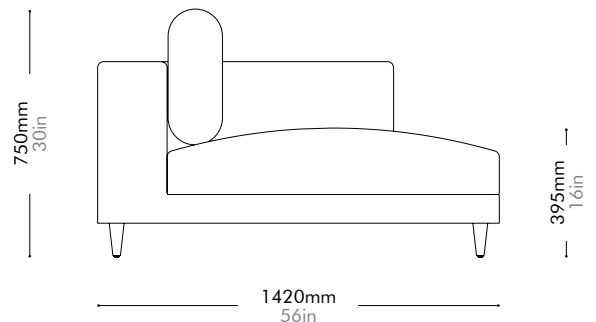
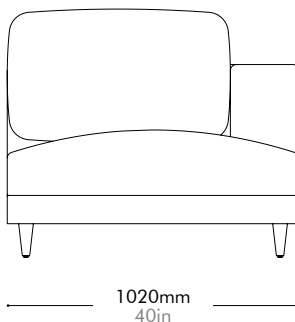


## AT-S461-R

Materials	Solid wood and plywood frame, upholstery	
Dimensions	W1020 x D1420 x H750mm; SH: 395mm   W40" x D56" x H30"; SH: 16"	
Weight	40.0kg   88lb	
Upholstery	6.6M	
Shipping Volume	1.23CBM	
Pkg Dimensions	FCL	W1120 x D1520 x H720mm; 50.30kg   W44" x D60" x H28"; 111lb
	LCL/AIR	W1140 x D1540 x H815mm; 70.70kg   W45" x D61" x H32"; 156lb

**Oak / Walnut** Lead time: 10-12 weeks

COM/COL		<b>¥335,000</b>
Fabric	C	<b>¥335,000</b>
	B	<b>¥459,000</b>
	A	<b>¥502,000</b>



# Atelier Small Ottoman-Leg by Space Copenhagen

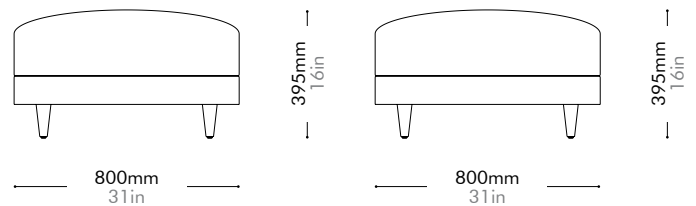


## AT-S521

Materials	Solid wood and plywood frame, upholstery		
Dimensions	W800 x D800 x H395mm; SH: 395mm   W31" x D31" x H16"; SH: 16"		
Weight	12.0kg   26lb		
Upholstery	2.2M		
Shipping Volume	0.36CBM		
Pkg Dimensions	FCL	W865 x D865 x H480mm; 16.52kg   W34" x D34" x H19"; 36lb	
	LCL/AIR	W885 x D885 x H575mm; 25.62kg   W35" x D35" x H23"; 56lb	

**Oak / Walnut** Lead time: 10-12 weeks

COM/COL		<b>¥161,000</b>
Fabric	C	<b>¥161,000</b>
	B	<b>¥207,000</b>
	A	<b>¥224,000</b>



# Atelier Small Pillow by Space Copenhagen

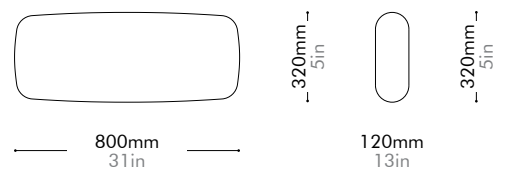


## AT-S400-A1

Materials	Upholstery	
Dimensions	W800 x D320 x H120mm   W31" x D13" x H5"	
Weight	2.0kg   4lb	
Upholstery	0.9M	
Shipping Volume	0.05CBM	
Pkg Dimensions	FCL	W850 x D370 x H170mm; 3.38kg   W33" x D15" x H7"; 7lb
	LCL/AIR	W870 x D390 x H265mm; 7.32kg   W34" x D15" x H10"; 16lb

**Oak / Walnut** Lead time: 10-12 weeks

COM/COL		<b>¥19,000</b>
Fabric	C	<b>¥19,000</b>
	B	<b>¥25,000</b>
	A	<b>¥27,000</b>



# Aya Dining Chair by OEO Studio

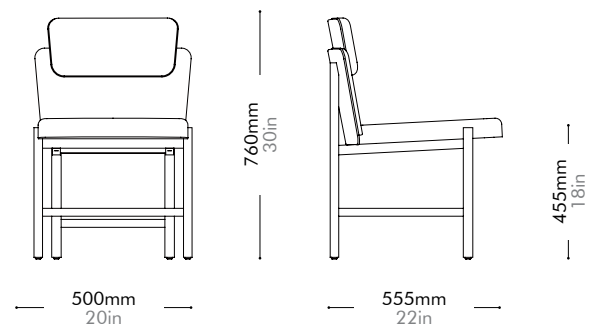


## AY-S210

Materials	Solid wood frame, upholstery		
Dimensions	W500 x D555 x H760mm; SH: 455mm   W20" x D22" x H30"; SH: 18"		
Weight	6.5kg   14lb		
Upholstery	1.7M   28.0SF		
Shipping Volume	0.3CBM		
Pkg Dimensions	FCL	W565 x D620 x H845mm; 11.66kg   W22" x D24" x H33"; 26lb	
	LCL/AIR	W605 x D660 x H935mm; 16.30kg   W24" x D26" x H37"; 36lb	

<b>Oak</b>		Lead time: 10-12 weeks
COM/COL		<b>¥111,000</b>
Fabric	C	<b>¥111,000</b>
	B	<b>¥138,000</b>
	A	<b>¥148,000</b>
Leather	C	<b>¥139,000</b>
	B	<b>¥166,000</b>
	A	<b>¥191,000</b>
PU Leather		<b>¥111,000</b>

<b>Walnut</b>		Lead time: 10-12 weeks
COM/COL		<b>¥118,000</b>
Fabric	C	<b>¥118,000</b>
	B	<b>¥146,000</b>
	A	<b>¥155,000</b>
Leather	C	<b>¥146,000</b>
	B	<b>¥173,000</b>
	A	<b>¥198,000</b>
PU Leather		<b>¥118,000</b>





# Aya

## Dining Armchair

by OEO Studio

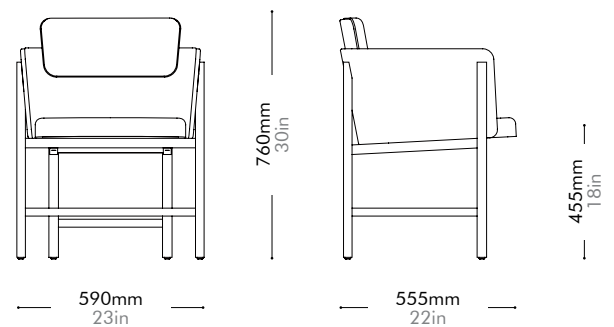


### AY-S211

Materials	Solid wood frame, upholstery		
Dimensions	W590 x D555 x H760mm; SH: 455mm   W23" x D22" x H30"; SH: 18"		
Weight	8.0kg   18lb		
Upholstery	2.1M   35.0SF		
Shipping Volume	0.34CBM		
Pkg Dimensions	FCL	W655 x D620 x H845mm; 13.49kg   W26" x D24" x H33"; 30lb	
	LCL/AIR	W695 x D660 x H935mm; 18.82kg   W27" x D26" x H37"; 41lb	

<b>Oak</b>		Lead time: 10-12 weeks
COM/COL		<b>¥158,000</b>
Fabric	C	<b>¥158,000</b>
	B	<b>¥193,000</b>
	A	<b>¥205,000</b>
Leather	C	<b>¥193,000</b>
	B	<b>¥226,000</b>
	A	<b>¥258,000</b>
PU Leather		<b>¥158,000</b>

<b>Walnut</b>		Lead time: 10-12 weeks
COM/COL		<b>¥166,000</b>
Fabric	C	<b>¥166,000</b>
	B	<b>¥201,000</b>
	A	<b>¥213,000</b>
Leather	C	<b>¥201,000</b>
	B	<b>¥235,000</b>
	A	<b>¥266,000</b>
PU Leather		<b>¥166,000</b>



# Aya Lounge Chair by OEO Studio

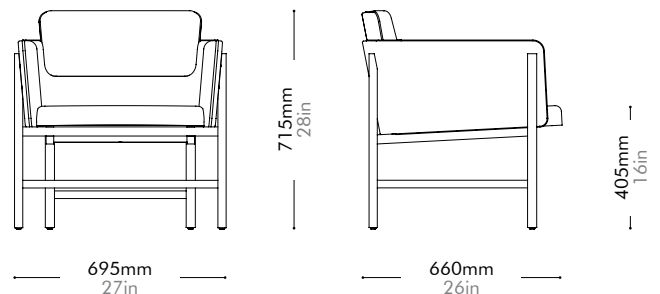


## AY-S111

Materials	Solid wood frame, upholstery		
Dimensions	W695 x D660 x H715mm; SH: 405mm   W27" x D26" x H28"; SH: 16"		
Weight	14.0kg   31lb		
Upholstery	2.8M   47.0SF		
Shipping Volume	0.44CBM		
Pkg Dimensions	FCL	W760 x D725 x H800mm; 19.95kg   W30" x D29" x H31"; 44lb	
	LCL/AIR	W800 x D765 x H890mm; 27.06kg   W31" x D30" x H35"; 60lb	

<b>Oak</b>		Lead time: 10-12 weeks
COM/COL		<b>¥215,000</b>
Fabric	C	<b>¥215,000</b>
	B	<b>¥263,000</b>
	A	<b>¥280,000</b>
Leather	C	<b>¥264,000</b>
	B	<b>¥312,000</b>
	A	<b>¥356,000</b>
PU Leather		<b>¥215,000</b>

<b>Walnut</b>		Lead time: 10-12 weeks
COM/COL		<b>¥224,000</b>
Fabric	C	<b>¥224,000</b>
	B	<b>¥273,000</b>
	A	<b>¥290,000</b>
Leather	C	<b>¥274,000</b>
	B	<b>¥321,000</b>
	A	<b>¥366,000</b>
PU Leather		<b>¥224,000</b>



# Aya Dining Table W1800 by OEO Studio

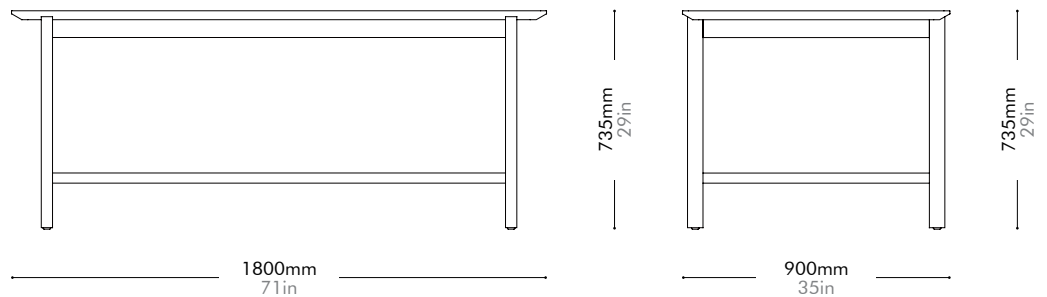


## AY-T410-1800

Materials	Solid wood frame, wood veneer top, blackened stainless steel		
Dimensions	W1800 x D900 x H735mm   W71" x D35" x H29"		
Weight	50.0kg   110lb		
Upholstery			
Shipping Volume	0.37CBM		
Pkg Dimensions	FCL	W1900 x D1140 x H170mm; 56.78kg   W75" x D45" x H7"; 125lb	
	LCL/AIR	W1940 x D1180 x H260mm; 83.38kg   W76" x D46" x H10"; 184lb	

<b>Oak</b>	Lead time: 10-12 weeks
	<b>¥305,000</b>

<b>Walnut</b>	Lead time: 10-12 weeks
	<b>¥356,000</b>



# Aya Dining Table W2400 by OEO Studio



## AY-T410-2400

Materials	Solid wood frame, wood veneer top, blackened stainless steel		
Dimensions	W2400 x D900 x H735mm   W94" x D35" x H29"		
Weight	57.0kg   126lb		
Upholstery			
Shipping Volume	0.48CBM		
Pkg Dimensions	FCL	W2500 x D1140 x H170mm; 65.74kg   W98" x D45" x H7"; 145lb	
	LCL/AIR	W2540 x D1180 x H260mm; 100.57kg   W100" x D46" x H10"; 222lb	

**Oak**      Lead time: 10-12 weeks  

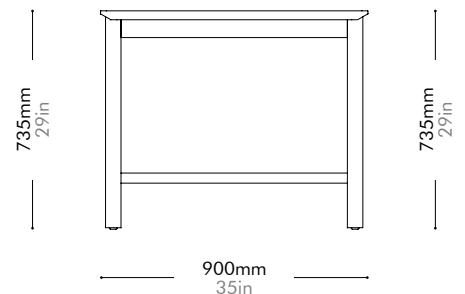
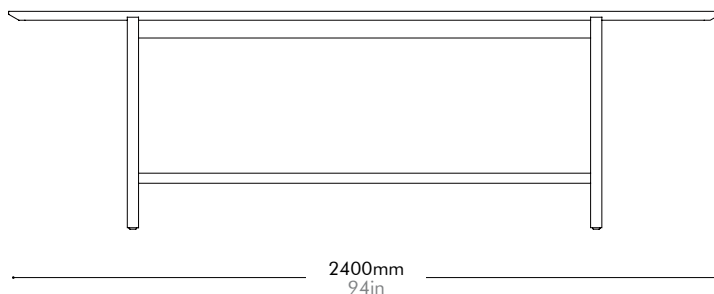

---

**¥349,000**

**Walnut**      Lead time: 10-12 weeks  


---

**¥404,000**



# Blend Stool W

by Nendo



## BD-S620-WD

Materials	Steel black powder coat matt frame, solid wood seat		
Dimensions	C390 x H455mm; SH: 455mm   W15" x D15" x H18"; SH: 18"		
Weight	5.8kg   13lb		
Upholstery			
Shipping Volume	0.12CBM		
Pkg Dimensions	FCL	W455 x D455 x H590mm; 8.53kg   W18" x D18" x H23"; 19lb	
	LCL/AIR	W495 x D495 x H680mm; 11.38kg   W19" x D19" x H27"; 25lb	

**Oak**      Lead time: 10-12 weeks

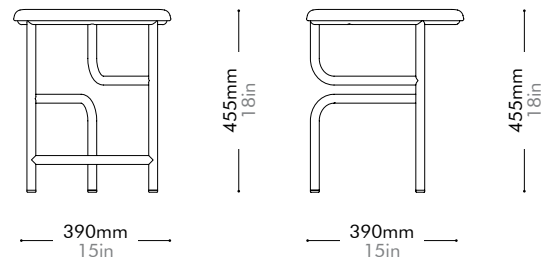
---

**¥73,000**

**Walnut**      Lead time: 10-12 weeks

---

**¥82,000**



# Blend Stool High by Nendo

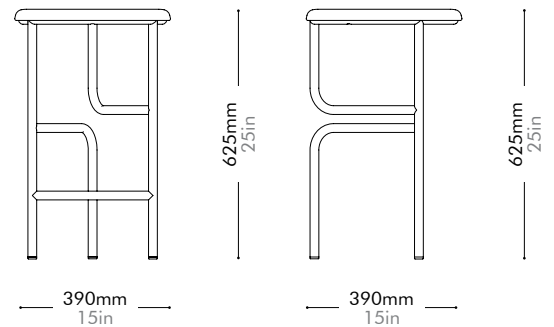


## BD-S610-H

Materials	Steel black powder coat matt frame, solid wood seat
Dimensions	C390 x H625mm; SH: 625mm   W15" x D15" x H25"; SH: 25"
Weight	7.0kg   15lb
Upholstery	
Shipping Volume	0.15CBM
Pkg Dimensions	FCL W455 x D455 x H710mm; 10.39kg   W18" x D18" x H28"; 23lb
	LCL/AIR W495 x D495 x H800mm; 13.24kg   W19" x D19" x H31"; 29lb

**Oak** Lead time: 10-12 weeks  
**¥77,000**

**Walnut** Lead time: 10-12 weeks  
**¥86,000**



# Blend Chair W

## by Nendo



### BD-S210-WD

Materials	Steel black powder coat matt frame, solid wood seat		
Dimensions	W390 x D417 x H657mm; SH: 455mm   W15" x D16" x H26"; SH: 18"		
Weight	6.3kg   14lb		
Upholstery			
Shipping Volume	0.16CBM		
Pkg Dimensions	FCL	W455 x D482 x H742mm; 9.96kg   W18" x D19" x H29"; 22lb	
	LCL/AIR	W495 x D522 x H832mm; 12.97kg   W19" x D21" x H33"; 29lb	

**Oak**      Lead time: 10-12 weeks

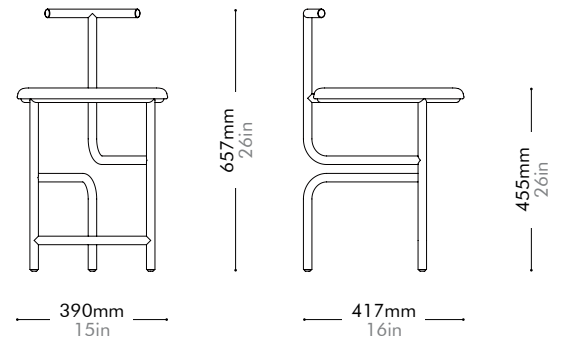
---

**¥77,000**

**Walnut**      Lead time: 10-12 weeks

---

**¥86,000**



# Blend Stool U

by Nendo

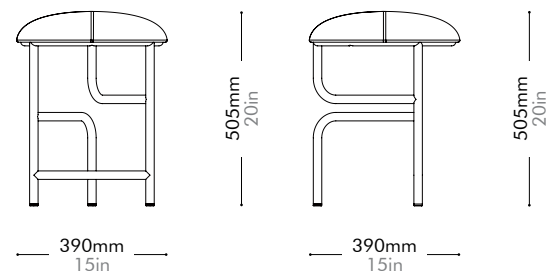


## BD-S620-UP

Materials	Steel black powder coat matt frame, upholstered seat	
Dimensions	C390 x H505mm; SH: 505mm   W15" x D15" x H20"; SH:20"	
Weight	6.0kg   13lb	
Upholstery	0.5M   5.0SF	
Shipping Volume	0.12CBM	
Pkg Dimensions	FCL	W455 x D455 x H590mm; 8.73kg   W18" x D18" x H23"; 19lb
	LCL/AIR	W495 x D495 x H680mm; 11.58kg   W19" x D19" x H27"; 26lb

Lead time: 10-12 weeks

COM/COL		<b>¥66,000</b>
Fabric	C	<b>¥66,000</b>
	B	<b>¥75,000</b>
	A	<b>¥83,000</b>
Leather	C	<b>¥76,000</b>
	B	<b>¥88,000</b>
	A	<b>¥97,000</b>
PU Leather		<b>¥66,000</b>





# Blend Chair U

by Nendo

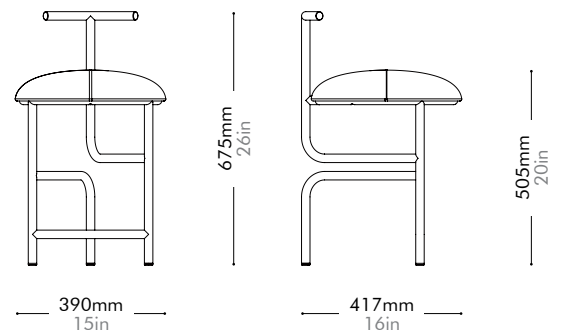


## BD-S210-UP

Materials	Steel black powder coat matt frame, upholstered seat		
Dimensions	W390 x D417 x H657mm; SH: 505mm   W15" x D16" x H26"; SH: 20"		
Weight	6.5kg   14lb		
Upholstery	0.5M   5.0SF		
Shipping Volume	0.16CBM		
Pkg Dimensions	FCL	W455 x D482 x H742mm; 10.16kg   W18" x D19" x H29"; 22lb	
	LCL/AIR	W495 x D522 x H832mm; 13.17kg   W19" x D21" x H33"; 29lb	

Lead time: 10-12 weeks

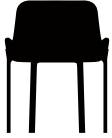
COM/COL		<b>¥68,000</b>
Fabric	C	<b>¥68,000</b>
	B	<b>¥76,000</b>
	A	<b>¥84,000</b>
Leather	C	<b>¥77,000</b>
	B	<b>¥88,000</b>
	A	<b>¥97,000</b>
PU Leather		<b>¥68,000</b>



# Blink

## Dining Chair

by Yabu Pushelberg

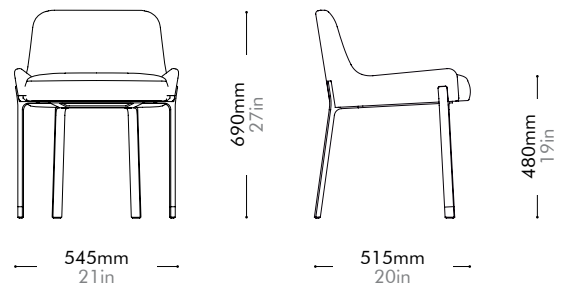


### BL-S210

Materials	Stainless steel hairline gold, steel black powder coat sand Brust, upholstery	
Dimensions	W545 x D515 x H690mm; SH: 480mm   W21" x D20" x H27"; SH: 19"	
Weight	9.0kg   20lb	
Upholstery	1.3M   24.2SF	
Shipping Volume	0.30CBM	
Pkg Dimensions	FCL	W600 x D600 x H830mm; 14.11kg   W24" x D24" x H33"; 31lb
	LCL/AIR	W620 x D620 x H925mm; 18.58kg   W24" x D24" x H36"; 41lb

Lead time: 10-12 weeks

COM/COL		<b>¥135,000</b>
Fabric	C	<b>¥135,000</b>
	B	<b>¥159,000</b>
	A	<b>¥168,000</b>
Leather	C	<b>¥160,000</b>
	B	<b>¥184,000</b>
	A	<b>¥207,000</b>
PU Leather		<b>¥135,000</b>



# Blink Vanity Stool SH470

by Yabu Pushelberg

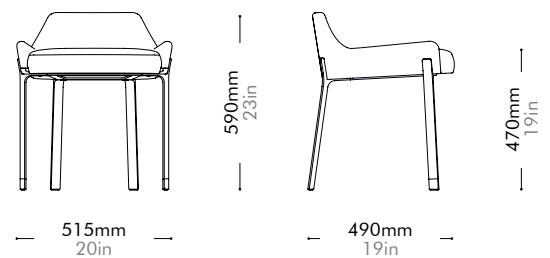


## BL-S610-470

Materials	Stainless steel hairline gold, steel black powder coat sand Brust, upholstery		
Dimensions	W515 x D490 x H590mm; SH: 470mm   W20" x D19" x H23"; SH: 19"		
Weight	8.0kg   18lb		
Upholstery	1.2M   19.8SF		
Shipping Volume	0.26CBM		
Pkg Dimensions	FCL	W600 x D600 x H720mm; 12.36kg   W24" x D24" x H28"; 27lb	
	LCL/AIR	W620 x D620 x H815mm; 16.82kg   W24" x D24" x H32"; 37lb	

Lead time: 10-12 weeks

COM/COL		<b>¥141,000</b>
Fabric	C	<b>¥141,000</b>
	B	<b>¥165,000</b>
	A	<b>¥173,000</b>
Leather	C	<b>¥161,000</b>
	B	<b>¥182,000</b>
	A	<b>¥202,000</b>
PU Leather		<b>¥141,000</b>



# Blink Counter Stool SH610

by Yabu Pushelberg

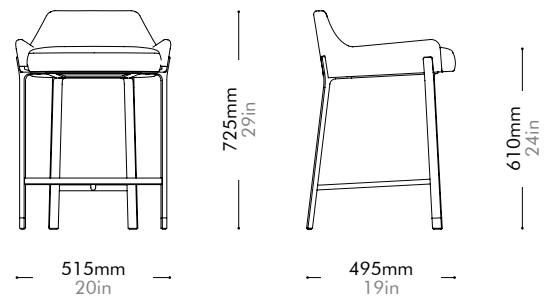


## BL-S610-610

Materials	Stainless steel hairline gold, steel black powder coat sand Brust, upholstery	
Dimensions	W515 x D495 x H725mm; SH: 610mm   W20" x D19" x H29"; SH: 24"	
Weight	9.0kg   20lb	
Upholstery	1.2M   19.8SF	
Shipping Volume	0.31CBM	
Pkg Dimensions	FCL	W600 x D600 x H860mm; 14.33kg   W24" x D24" x H34"; 32lb
	LCL/AIR	W620 x D620 x H955mm; 18.80kg   W24" x D24" x H38"; 41lb

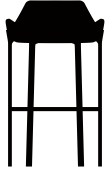
Lead time: 10-12 weeks

COM/COL		<b>¥150,000</b>
Fabric	C	<b>¥150,000</b>
	B	<b>¥173,000</b>
	A	<b>¥180,000</b>
Leather	C	<b>¥170,000</b>
	B	<b>¥189,000</b>
	A	<b>¥207,000</b>
PU Leather		<b>¥150,000</b>



# Blink Bar Stool SH750

by Yabu Pushelberg

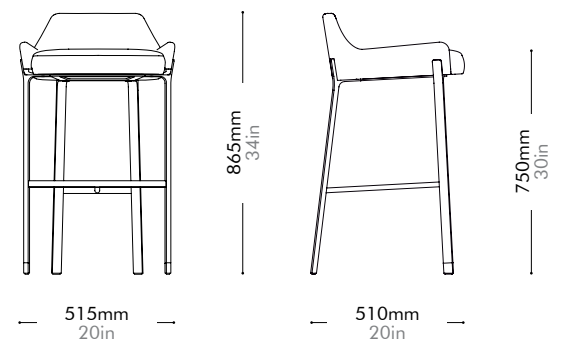


## BL-S610-750

Materials	Stainless steel hairline gold, steel black powder coat sand brush, upholstery		
Dimensions	W515 x D510 x H865mm; SH: 750mm   W20" x D20" x H34"; SH: 30"		
Weight	9.5kg   21lb		
Upholstery	1.2M   19.8SF		
Shipping Volume	0.36CBM		
Pkg Dimensions	FCL	W600 x D600 x H1000mm; 15.90kg   W24" x D24" x H39"; 35lb	
	LCL/AIR	W620 x D620 x H1095mm; 20.37kg   W24" x D24" x H43"; 45lb	

Lead time: 10-12 weeks

COM/COL		<b>¥154,000</b>
Fabric	C	<b>¥154,000</b>
	B	<b>¥178,000</b>
	A	<b>¥186,000</b>
Leather	C	<b>¥174,000</b>
	B	<b>¥195,000</b>
	A	<b>¥215,000</b>
PU Leather		<b>¥154,000</b>



# Blink Lounge Chair by Yabu Pushelberg

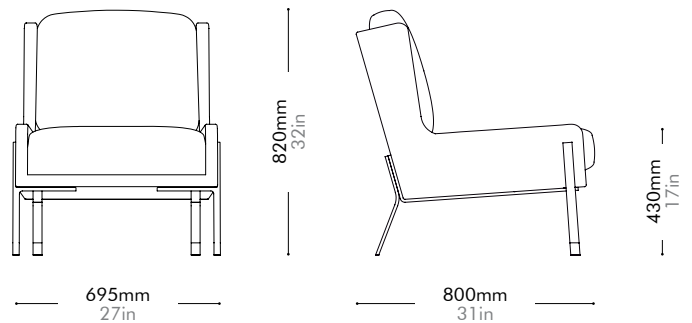


## BL-S410

Materials	Stainless steel hairline gold, steel black powder coat sand brush, upholstery		
Dimensions	W695 x D800 x H820mm; SH: 430mm   W27" x D31" x H32"; SH: 17"		
Weight	31.0kg   68lb		
Upholstery	4.4M   82.5SF		
Shipping Volume	0.59CBM		
Pkg Dimensions	FCL	W760 x D865 x H905mm; 38.37kg   W30" x D34" x H36"; 85lb	
	LCL/AIR	W780 x D885 x H1000mm; 46.39kg   W31" x D35" x H39"; 102lb	

Lead time: 10-12 weeks

COM/COL		<b>¥255,000</b>
Fabric	C	<b>¥255,000</b>
	B	<b>¥349,000</b>
	A	<b>¥382,000</b>
Leather	C	<b>¥359,000</b>
	B	<b>¥455,000</b>
	A	<b>¥546,000</b>
PU Leather		<b>¥255,000</b>



# Blink Sofa

## Two Seater

by Yabu Pushelberg

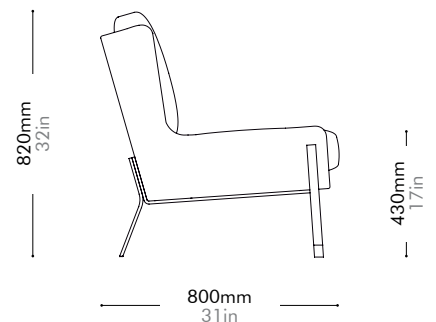
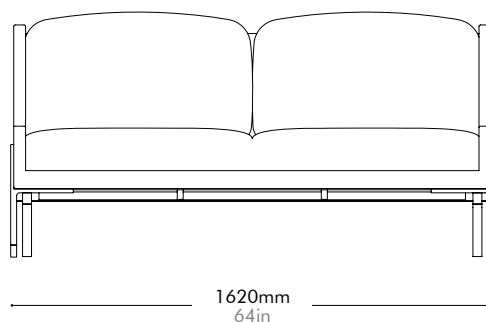


### BL-S420

Materials	Stainless steel hairline gold, steel black powder coat sand brush, upholstery		
Dimensions	W1620 x D800 x H820mm; SH: 430mm   W64" x D31" x H32"; SH: 17"		
Weight	53.0kg   117lb		
Upholstery	8.8M   192.5SF		
Shipping Volume	1.42CBM		
Pkg Dimensions	FCL	W1735 x D885 x H925mm; 65.04kg   W68" x D35" x H36"; 143lb	
	LCL/AIR	W1755 x D905 x H1020mm; 83.49kg   W69" x D35" x H40"; 184lb	

Lead time: 10-12 weeks

COM/COL		<b>¥384,000</b>
Fabric	C	<b>¥384,000</b>
	B	<b>¥549,000</b>
	A	<b>¥606,000</b>
Leather	C	<b>¥606,000</b>
	B	<b>¥802,000</b>
	A	<b>¥985,000</b>
PU Leather		<b>¥384,000</b>



# Blink Sofa

## Three Seater 2.0

by Yabu Pushelberg

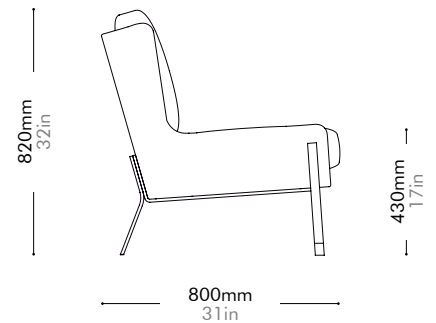
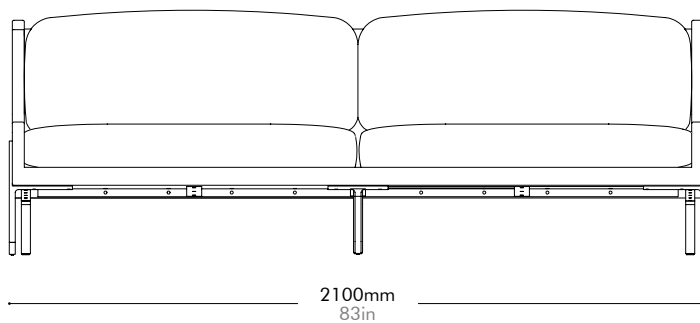


### BL-S430-R2

Materials	Stainless steel hairline gold, steel black powder coat sand brust, upholstery		
Dimensions	W2100 x D800 x H820mm; SH: 430mm   W83" x D31" x H32"; SH: 17"		
Weight	78.0kg   172lb		
Upholstery	10.6M   220.0SF		
Shipping Volume	1.81CBM		
Pkg Dimensions	FCL	W2215 x D885 x H925mm; 92.21kg   W87" x D35" x H36"; 203lb	
	LCL/AIR	W2235 x D905 x H1020mm; 115.71kg   W88" x D36" x H40"; 255lb	

Lead time: 10-12 weeks

COM/COL		<b>¥456,000</b>
Fabric	C	<b>¥456,000</b>
	B	<b>¥675,000</b>
	A	<b>¥752,000</b>
Leather	C	<b>¥740,000</b>
	B	<b>¥994,000</b>
	A	<b>¥1,231,000</b>
PU Leather		<b>¥456,000</b>





# Blink Side Table - Wood Top by Yabu Pushelberg



## BL-T110-600-WD

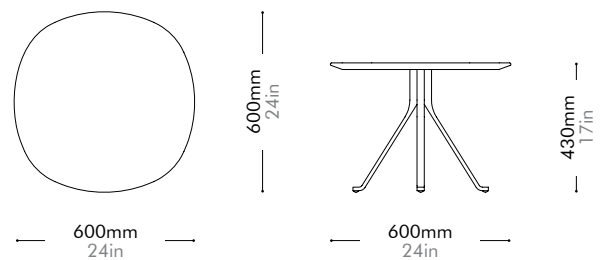
Materials	Wood veneer top, steel black powder coat sand brust		
Dimensions	C600 x H430mm   C24" x H17"		
Weight	6.0kg   14lb		
Upholstery			
Shipping Volume	0.05+0.08CBM		
Pkg Dimensions	FCL	W680 x D680 x H110mm; 4.56kg   W27" x D27" x H4"; 10lb	
		W410 x D410 x H485mm; 5.0kg   W16" x D16" x H19"; 11lb	
	LCL/AIR	W700 x D700 x H205mm; 10.25kg   W28" x D28" x H8"; 23lb	
		W430 x D430 x H580mm; 7.15kg   W17" x D17" x H23"; 16lb	

**Oak** Lead time: 10-12 weeks

**¥130,000**

**Walnut** Lead time: 10-12 weeks

**¥147,000**



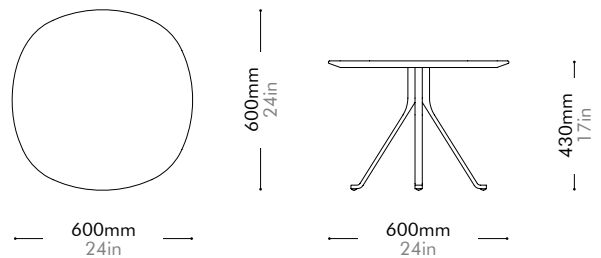
# Blink Side Table - Stone Top by Yabu Pushelberg



## BL-T110-600-ST

Materials	Stone top, steel black powder coat sand brust		
Dimensions	C600 x H430mm   C24" x H17"		
Weight	14.5kg   32lb		
Upholstery			
Shipping Volume	0.11+0.08CBM		
Pkg Dimensions	FCL	W710 x D710 x H215mm; 20.46kg   W28" x D28" x H8"; 45lb	
		W410 x D410 x H485mm; 5.0kg   W16" x D16" x H19"; 11lb	
	LCL/AIR	W710 x D710 x H215mm; 20.46kg   W28" x D28" x H8"; 45lb	
		W430 x D430 x H580mm; 7.15kg   W17" x D17" x H23"; 16lb	

<b>Stone A</b>	Lead time: 10-12 weeks	<b>Stone B</b>	Lead time: 10-12 weeks
	<b>¥219,000</b>		<b>¥156,000</b>



# Blink Coffee Table - Wood Top by Yabu Pushelberg



## BL-T210-1080-WD

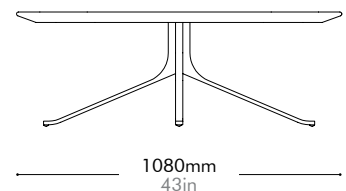
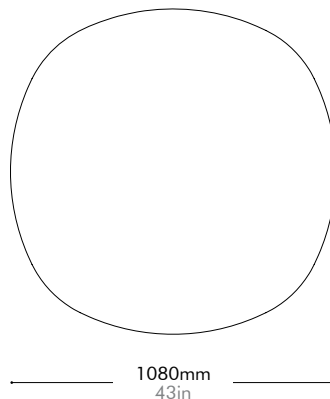
Materials	Wood veneer top, steel black powder coat sand burst		
Dimensions	C1080 x H380mm   C43" x H15"		
Weight	27.3kg   60lb		
Upholstery			
Shipping Volume	0.16+0.23CBM		
Pkg Dimensions	FCL	W1160 x D1160 x H120mm; 22.4kg   W46" x D46" x H5"; 49lb	
		W730 x D730 x H430mm; 12.36kg   W29" x D29" x H17"; 27lb	
	LCL/AIR	W1180 x D1180 x H215mm; 38.58kg   W46" x D46" x H8"; 85lb	
		W750 x D750 x H525mm; 18.9kg   W30" x D30" x H21"; 42lb	

**Oak** Lead time: 10-12 weeks

¥209,000

**Walnut** Lead time: 10-12 weeks

¥248,000



# Blink Coffee Table - Stone Top by Yabu Pushelberg



## BL-T210-1080-ST

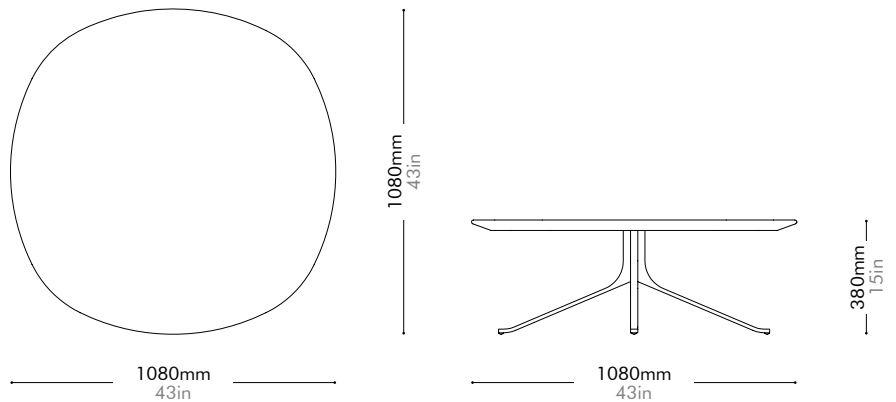
Materials	Stone top, steel black powder coat sand burst		
Dimensions	C1080 x H380mm   C43" x H15"		
Weight	57.6kg   127lb		
Upholstery			
Shipping Volume	0.32+0.23CBM		
Pkg Dimensions	FCL	W1190 x D1190 x H225mm; 70.56kg   W47" x D47" x H9"; 156lb	
		W730 x D730 x H430mm; 12.36kg   W29" x D29" x H17"; 27b	
	LCL/AIR	W1190 x D1190 x H225mm; 70.56kg   W47" x D47" x H9"; 156lb	
		W750 x D750 x H525mm; 18.9kg   W30" x D30" x H21"; 42lb	

**Stone A**      Lead time: 10-12 weeks

**¥505,000**

**Stone B**      Lead time: 10-12 weeks

**¥343,000**



# Blink Café Table - Wood Top by Yabu Pushelberg



## BL-T310-750-WD

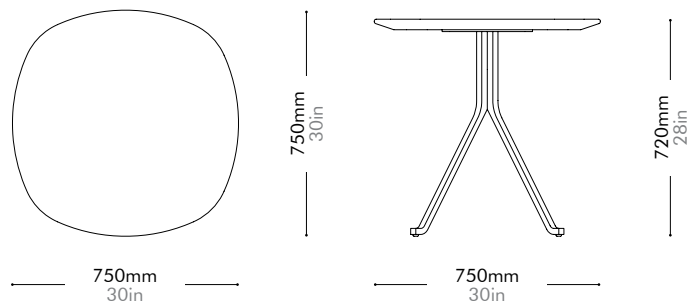
Materials	Wood veneer top, steel black powder coat sand brust	
Dimensions	C750 x H720mm   C30" x H28"	
Weight	12.5kg   28lb	
Upholstery		
Shipping Volume	0.08+0.25CBM	
Pkg Dimensions	FCL	W830 x D830 x H110mm; 7.21kg   W33" x D33" x H4"; 16lb
		W575 x D575 x H760mm; 11.96kg   W23" x D23" x H30"; 26lb
	LCL/AIR	W850 x D850 x H205mm; 15.60kg   W33" x D33" x H8"; 34lb
		W595 x D595 x H855mm; 16.07kg   W23" x D23" x H34"; 35lb

**Oak** Lead time: 10-12 weeks

¥209,000

**Walnut** Lead time: 10-12 weeks

¥236,000



# Blink Café Table - Stone Top by Yabu Pushelberg



## BL-T310-750-ST

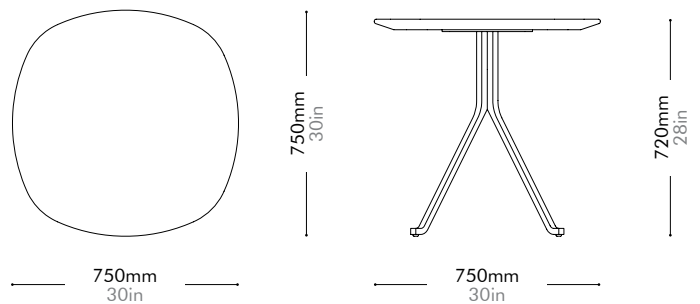
Materials	Stone top, steel black powder coat sand burst	
Dimensions	C750 x H720mm   C30" x H28"	
Weight	28.8kg   64lb	
Upholstery		
Shipping Volume	0.16+0.25CBM	
Pkg Dimensions	FCL	W860 x D860 x H215mm; 33.66kg   W34" x D34" x H8"; 74lb
		W575 x D575 x H760mm; 11.96kg   W23" x D23" x H30"; 26lb
	LCL/AIR	W860 x D860 x H215mm; 33.66kg   W34" x D34" x H8"; 74lb
		W595 x D595 x H855mm; 16.07kg   W23" x D23" x H34"; 35lb

**Stone A**      Lead time: 10-12 weeks

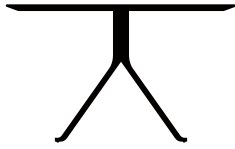
**¥340,000**

**Stone B**      Lead time: 10-12 weeks

**¥255,000**



# Blink Dining Table - Stone Top by Yabu Pushelberg



## BL-T410-1200-ST

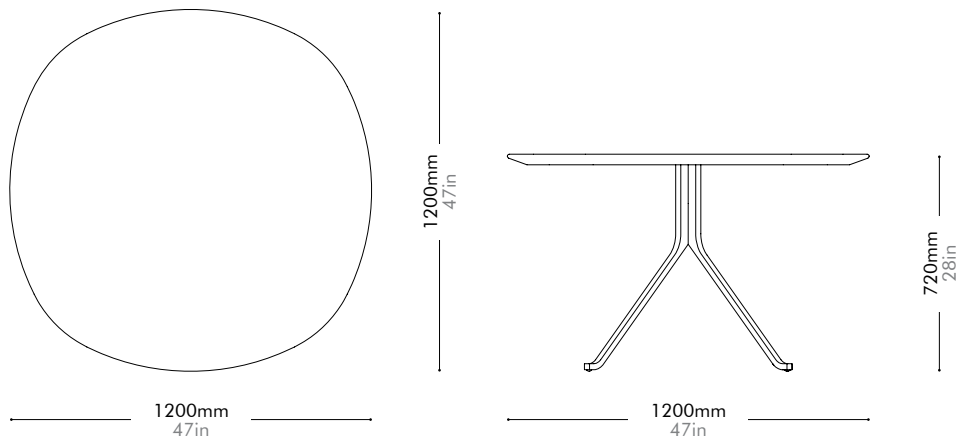
Materials	Stone top, steel black powder coat sand burst	
Dimensions	C1200 x H720mm   C47" x H28"	
Weight	71.0kg   156lb	
Upholstery		
Shipping Volume	0.37+0.44CBM	
Pkg Dimensions	FCL	W1305 x D1305 x H220mm; 85.68kg   W51" x D51" x H9"; 189lb
		W765 x D765 x H760mm; 16.81kg   W30" x D30" x H30"; 37lb
	LCL/AIR	W1305 x D1305 x H220mm; 85.68kg   W51" x D51" x H9"; 189lb
		W785 x D785 x H855mm; 23.97kg   W31" x D31" x H34"; 53lb

**Stone A**      Lead time: 10-12 weeks

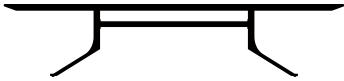
**¥711,000**

**Stone B**      Lead time: 10-12 weeks

**¥383,000**



# Blink Oval Coffee Table - Wood Top by Yabu Pushelberg



## BL-T220-1775-WD

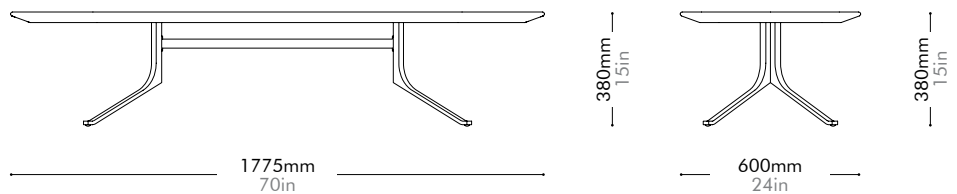
Materials	Wood veneer top, steel black powder coat sand brust		
Dimensions	W1775 x D600 x H380mm   W70" x D24" x H15"		
Weight	22.5kg   50lb		
Upholstery			
Shipping Volume	0.14+0.15CBM		
Pkg Dimensions	FCL	W1850 x D675 x H115mm; 20.58kg   W73" x D27" x H5"; 45lb	
		W715 x D515 x H415mm; 8.43kg   W28" x D20" x H16"; 19lb	
	LCL/AIR	W1870 x D695 x H210mm; 35.68kg   W74" x D27" x H8"; 79lb	
		W735 x D535 x H510mm; 13.0kg   W29" x D21" x H20"; 29lb	

**Oak** Lead time: 10-12 weeks

¥193,000

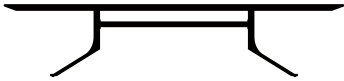
**Walnut** Lead time: 10-12 weeks

¥240,000





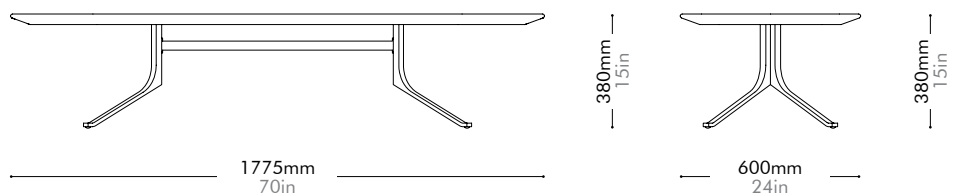
# Blink Oval Coffee Table - Stone Top by Yabu Pushelberg



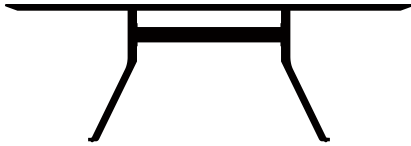
## BL-T220-1775-ST

Materials	Stone top, steel black powder coat sand brust		
Dimensions	W1775 x D600 x H380mm   W70" x D24" x H15"		
Weight	48.5kg   107lb		
Upholstery			
Shipping Volume	0.29+0.25CBM		
Pkg Dimensions	FCL	W1880 x D705 x H220mm; 63.93kg   W74" x D28" x H9"; 141lb	
		W1330 x D490 x H390mm; 9.58kg   W52" x D19" x H15"; 21lb	
LCL/AIR		W1880 x D705 x H220mm; 63.93kg   W74" x D28" x H9"; 141lb	
		W1350 x D510 x H485mm; 17.58kg   W53" x D20" x H19"; 39lb	

<b>Stone A</b>	Lead time: 10-12 weeks	<b>Stone B</b>	Lead time: 10-12 weeks
	<b>¥502,000</b>		<b>¥373,000</b>



# Blink Oval Dining Table - Stone Top by Yabu Pushelberg



## BL-T420-2125-ST

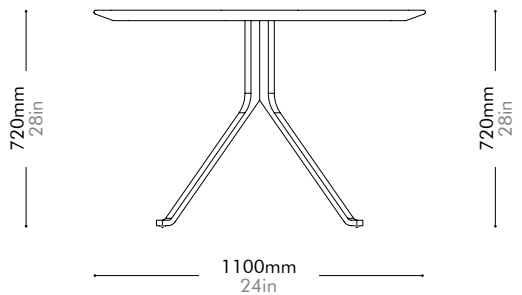
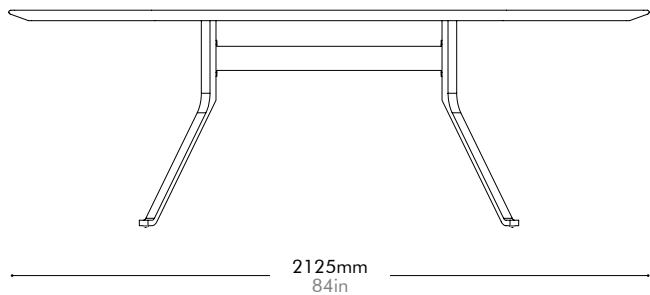
Materials	Stone top, steel black powder coat sand burst		
Dimensions	W2125 x D1100 x H720mm   W84" x D43" x H28"		
Weight	110.0kg   243lb		
Upholstery			
Shipping Volume	0.66+0.76CBM		
Pkg Dimensions	FCL	W2250 x D1225 x H240mm; 138.19kg   W89" x D48" x H9"; 304lb	
		W1330 x D756 x H760mm; 20.42kg   W52" x D30" x H30"; 45lb	
	LCL/AIR	W2250 x D1225 x H240mm; 138.19kg   W89" x D48" x H9"; 304lb	
		W1350 x D776 x H855mm; 32.59kg   W53" x D31" x H34"; 72lb	

**Stone A**      Lead time: 10-12 weeks

**¥935,000**

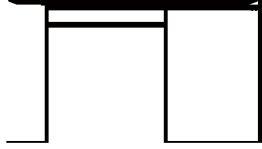
**Stone B**      Lead time: 10-12 weeks

**¥572,000**



# Blink Console

by Yabu Pushelberg



## BL-T710

Materials	Wood veneer top, stainless steel hairline gold, steel black powder coat sand brust		
Dimensions	W1340 x D510 x H750mm   W53" x D20" x H30"		
Weight	19.0kg   42lb		
Upholstery			
Shipping Volume	0.20CBM		
Pkg Dimensions	FCL	W1400 x D720 x H200mm; 22.68kg   W55" x D28" x H8"; 50lb	
	LCL/AIR	W1420 x D740 x H295mm; 34.89kg   W56" x D29" x H12"; 77lb	

**Oak**      Lead time: 10-12 weeks

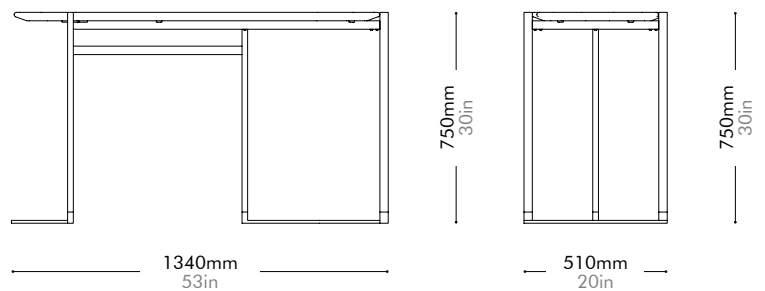
---

**¥162,000**

**Walnut**      Lead time: 10-12 weeks

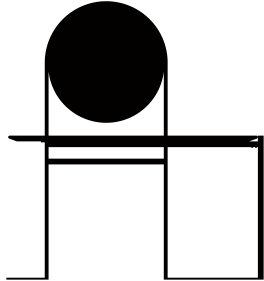
---

**¥178,000**



# Blink Vanity

by Yabu Pushelberg

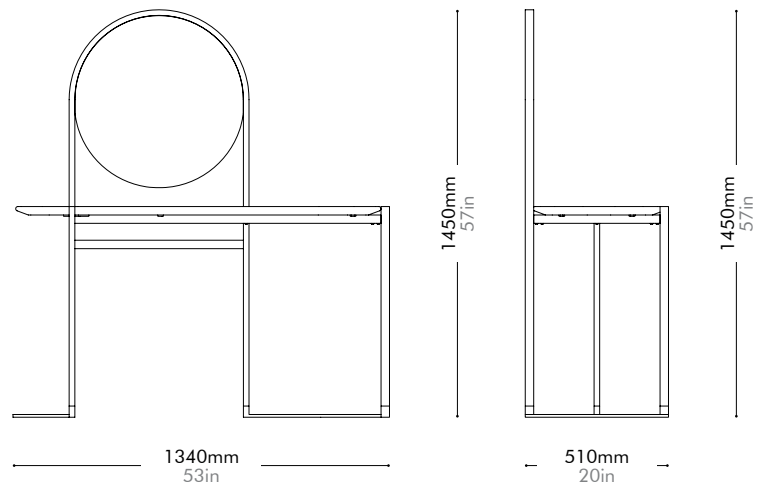


## BL-T720

Materials	Wood veneer top, stainless steel hairline gold, steel black powder coat sand Brust, mirror
Dimensions	W1340 x D510 x H1450mm   W53" x D20" x H57"
Weight	30.0kg   66lb
Upholstery	
Shipping Volume	0.41 CBM
Pkg Dimensions	FCL/LCL/AIR W1530 x D750 x H355mm; 52.01kg   W60" x D30" x H14"; 115lb

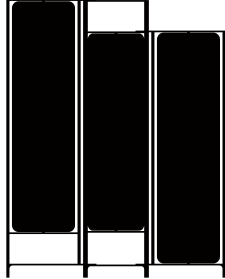
<b>Oak</b>	Lead time: 10-12 weeks
	<b>¥252,000</b>

<b>Walnut</b>	Lead time: 10-12 weeks
	<b>¥269,000</b>



# Blink Screen

by Yabu Pushelberg



**BL-SC110**

Materials	Wood veneer panels, mirror, steel black powder coat sand brust
Dimensions	W1295 x D360 x H1640mm   W51" x D14" x H65"
Weight	51.6kg   114lb
Upholstery	
Shipping Volume	0.33CBM
Pkg Dimensions	FCL/LCL/AIR W1720 x D630 x H305mm; 71.79kg   W68" x D25" x H12"; 158lb

**Oak**      Lead time: 10-12 weeks

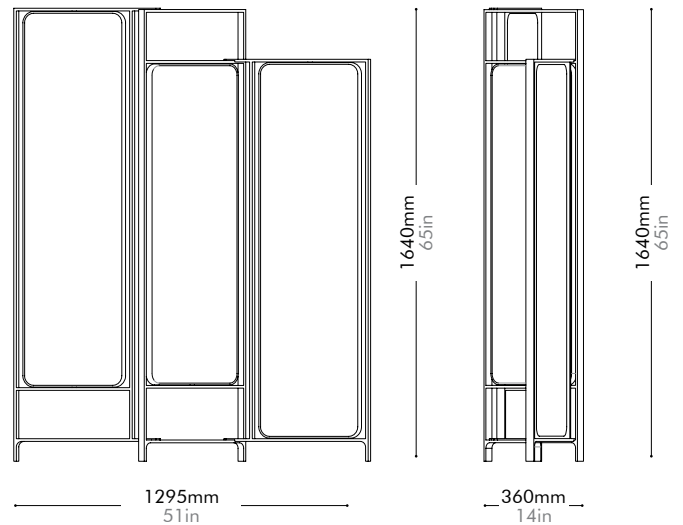
---

**¥324,000**

**Walnut**      Lead time: 10-12 weeks

---

**¥353,000**



# Bund Dining Chair by Neri&Hu



## BU-S210

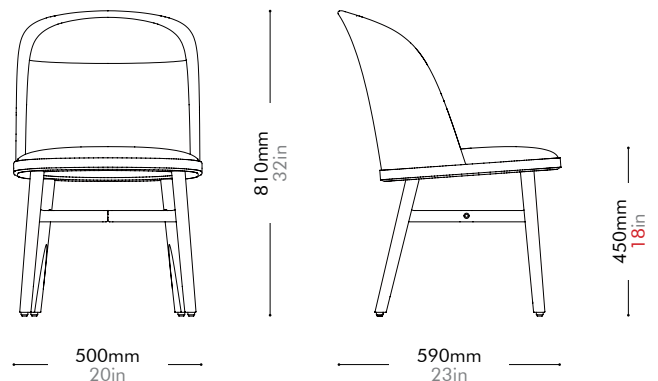
Materials	Stainless steel hairline gold, solid wood frame, upholstered moulded foam frame, upholstered seat		
Dimensions	W500 x D590 x H810mm; SH: 450mm   W20" x D23" x H32"; SH: 18"		
Weight	8.0kg   18lb		
Upholstery	1.7M   27.5SF		
Shipping Volume	0.4CBM		
Pkg Dimensions	FCL	W680 x D680 x H870mm; 14.01kg   W27" x D27" x H34"; 31lb	
	LCL/AIR	W700 x D700 x H965mm; 19.70kg   W28" x D28" x H38"; 43lb	

### Oak Lead time: 10-12 weeks

COM/COL		<b>¥168,000</b>
Fabric	C	<b>¥168,000</b>
	B	<b>¥194,000</b>
	A	<b>¥204,000</b>
Leather	C	<b>¥194,000</b>
	B	<b>¥220,000</b>
	A	<b>¥244,000</b>
PU Leather		<b>¥168,000</b>

### Walnut Lead time: 10-12 weeks

COM/COL		<b>¥173,000</b>
Fabric	C	<b>¥173,000</b>
	B	<b>¥199,000</b>
	A	<b>¥208,000</b>
Leather	C	<b>¥199,000</b>
	B	<b>¥224,000</b>
	A	<b>¥248,000</b>
PU Leather		<b>¥173,000</b>



# Bund Lounge Chair by Neri&Hu



## BU-S111

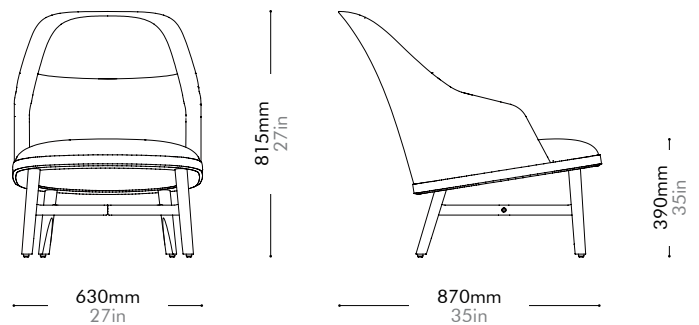
Materials	Stainless steel hairline gold, solid wood frame, upholstered moulded foam frame, upholstered seat	
Dimensions	W630 x D870 x H815mm; SH: 390mm   W27" x D35" x H27"; SH: 35"	
Weight	14.9kg   33lb	
Upholstery	2.5M   41.8SF	
Shipping Volume	0.58CBM	
Pkg Dimensions	FCL	W695 x D935 x H900mm; 22.22kg   W27" x D37" x H35"; 49lb
	LCL/AIR	W715 x D955 x H995mm; 30.15kg   W28" x D38" x H39"; 66lb

### Oak Lead time: 10-12 weeks

COM/COL		<b>¥238,000</b>
Fabric	C	<b>¥238,000</b>
	B	<b>¥286,000</b>
	A	<b>¥303,000</b>
Leather	C	<b>¥285,000</b>
	B	<b>¥331,000</b>
	A	<b>¥374,000</b>
PU Leather		<b>¥238,000</b>

### Walnut Lead time: 10-12 weeks

COM/COL		<b>¥242,000</b>
Fabric	C	<b>¥242,000</b>
	B	<b>¥290,000</b>
	A	<b>¥307,000</b>
Leather	C	<b>¥290,000</b>
	B	<b>¥335,000</b>
	A	<b>¥378,000</b>
PU Leather		<b>¥242,000</b>



# Bund Bar Chair SH610 by Neri&Hu



## BU-S310-610

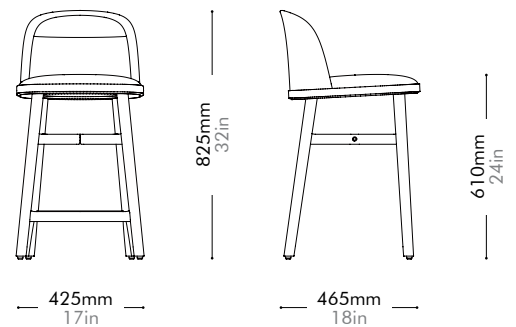
Materials	Stainless steel hairline gold, solid wood frame, upholstered moulded foam frame, upholstered seat		
Dimensions	W425 x D465 x H825mm; SH: 610mm   W17" x D18" x H32"; SH: 24"		
Weight	6.5kg   14lb		
Upholstery	0.7M   13.2SF		
Shipping Volume	0.31CBM		
Pkg Dimensions	FCL	W600 x D600 x H860mm; 11.83kg   W24" x D24" x H34"; 26lb	
	LCL/AIR	W620 x D620 x H955mm; 16.30kg   W24" x D24" x H38"; 36lb	

### Oak Lead time: 10-12 weeks

COM/COL		<b>¥165,000</b>
Fabric	C	<b>¥165,000</b>
	B	<b>¥177,000</b>
	A	<b>¥182,000</b>
Leather	C	<b>¥181,000</b>
	B	<b>¥195,000</b>
	A	<b>¥209,000</b>
PU Leather		<b>¥165,000</b>

### Walnut Lead time: 10-12 weeks

COM/COL		<b>¥173,000</b>
Fabric	C	<b>¥173,000</b>
	B	<b>¥186,000</b>
	A	<b>¥190,000</b>
Leather	C	<b>¥189,000</b>
	B	<b>¥203,000</b>
	A	<b>¥217,000</b>
PU Leather		<b>¥173,000</b>





# Bund Bar Chair SH750 by Neri&Hu

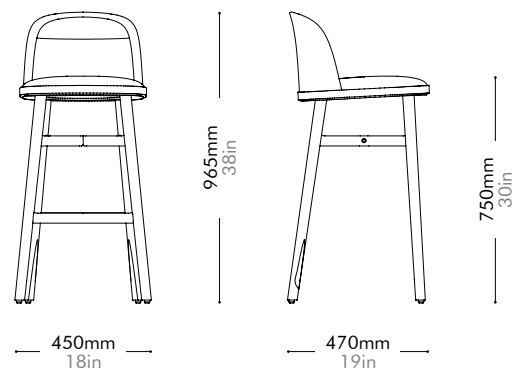


## BU-S310-750

Materials	Stainless steel hairline gold, solid wood frame, upholstered moulded foam frame, upholstered seat		
Dimensions	W450 x D470 x H965mm; SH: 750mm   W18" x D19" x H38"; SH: 30"		
Weight	6.6kg   15lb		
Upholstery	0.7M   13.2SF		
Shipping Volume	0.36CBM		
Pkg Dimensions	FCL	W600 x D600 x H1000mm; 13.0kg   W24" x D24" x H39"; 29lb	
	LCL/AIR	W620 x D620 x H1095mm; 17.47kg   W24" x D24" x H43"; 39lb	

<b>Oak</b>		Lead time: 10-12 weeks
COM/COL		<b>¥172,000</b>
Fabric	C	<b>¥172,000</b>
	B	<b>¥185,000</b>
	A	<b>¥189,000</b>
Leather	C	<b>¥188,000</b>
	B	<b>¥202,000</b>
	A	<b>¥216,000</b>
PU Leather		<b>¥172,000</b>

<b>Walnut</b>		Lead time: 10-12 weeks
COM/COL		<b>¥183,000</b>
Fabric	C	<b>¥183,000</b>
	B	<b>¥195,000</b>
	A	<b>¥200,000</b>
Leather	C	<b>¥199,000</b>
	B	<b>¥213,000</b>
	A	<b>¥226,000</b>
PU Leather		<b>¥183,000</b>



# Bund Side Table H560

by Neri&Hu

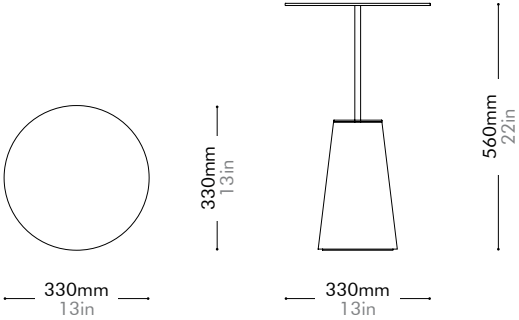


**BU-T110-560**

Materials	Stainless steel hairline aged gold, marble base	
Dimensions	C330 x H560mm   C13" x H22"	
Weight	18.0kg   40lb	
Upholstery		
Shipping Volume	0.14CBM	
Pkg Dimensions	FCL/LCL/AIR	W425 x D425 x H750mm; 27.07kg   W17" x D17" x H30"; 60lb

<b>Stone A</b>	Lead time: 10-12 weeks
	<b>¥194,000</b>

<b>Stone B</b>	Lead time: 10-12 weeks
	<b>¥162,000</b>



# Bund Side Table H500

by Neri&Hu

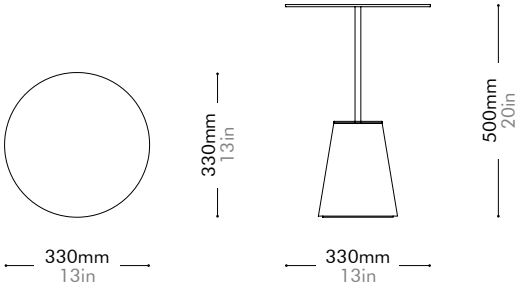


**BU-T110-500**

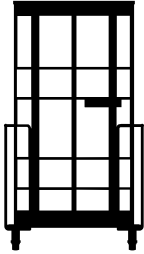
Materials	Stainless steel hairline aged gold, marble base	
Dimensions	C330 x H500mm   C13" x H20"	
Weight	11.0kg   24lb	
Upholstery		
Shipping Volume	0.12CBM	
Pkg Dimensions	FCL/LCL/AIR	W425 x D425 x H690mm; 19.49kg   W17" x D17" x H27"; 43lb

<b>Stone A</b>	Lead time: 10-12 weeks
	<b>¥164,000</b>

<b>Stone B</b>	Lead time: 10-12 weeks
	<b>¥141,000</b>



# Cabinet of Curiosity Read by Neri&Hu



## COC-C100

Materials	Stainless steel hairline gold, steel black powder coat sand burst, solid wood frame, wood veneer panels, tempered glass	
Dimensions	W990 x D445 x H1765mm   W39" x D18" x H69"	
Weight	114.0kg   251lb	
Upholstery		
Shipping Volume	1.29CBM	
Pkg Dimensions	FCL/LCL/AIR	W1125 x D580 x H1975mm; 159.69kg   W44" x D23" x H78"; 352lb

Includes stoppers for two rear wheels

**Oak**                      Lead time: 10-12 weeks  

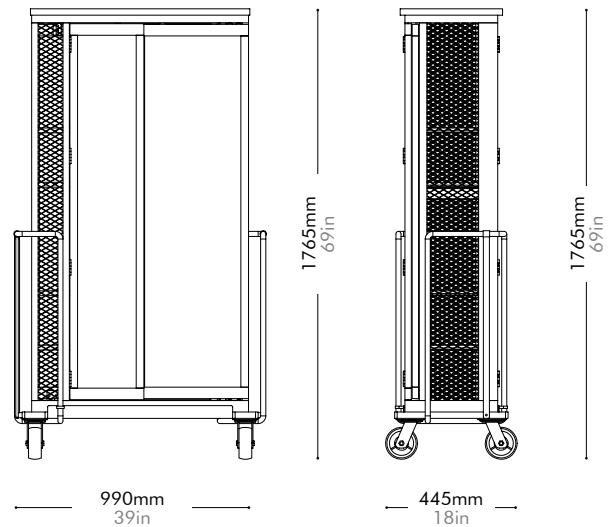

---

**¥724,000**

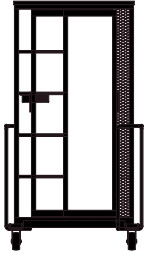
**Walnut**                      Lead time: 10-12 weeks  


---

**¥777,000**



# Cabinet of Curiosity Dress by Neri&Hu

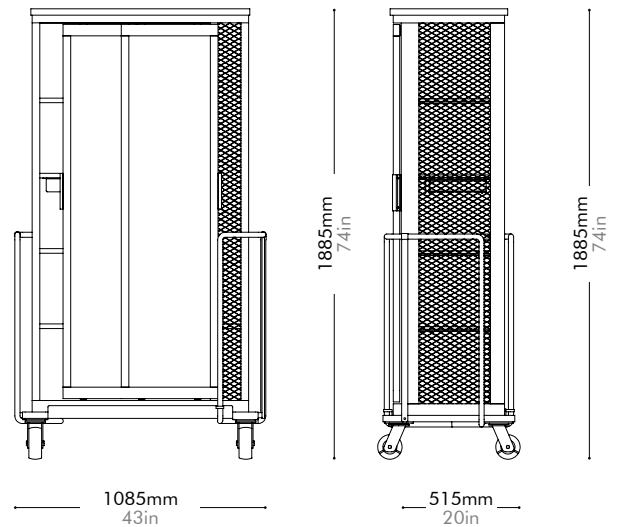


## COC-C120

Materials	Stainless steel hairline gold, steel black powder coat sand brust, solid wood frame, wood veneer panels, tempered glass	
Dimensions	W1085 x D515 x H1885mm   W43" x D20" x H74"	
Weight	120.0kg   265lb	
Upholstery		
Shipping Volume	1.66CBM	
Pkg Dimensions	FCL/LCL/AIR	W1220 x D650 x H2095mm; 173.64kg   W48" x D26" x H82"; 383lb
Includes stoppers for two rear wheels		

**Oak**      Lead time: 10-12 weeks  
**¥761,000**

**Walnut**      Lead time: 10-12 weeks  
**¥812,000**



# Cotton Club Lounge Chair (1988) by Carlo Forcolini

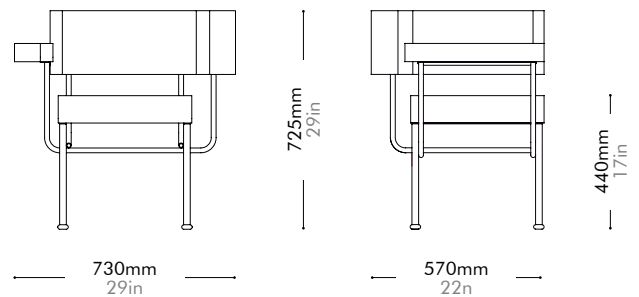


## CF-S111

Materials	Steel black powder coat matt, upholstery	
Dimensions	W730 x D570 x H725mm; SH: 440mm   W29" x D22" x H29"; SH: 17"	
Weight	13.5kg   30lb	
Upholstery	1.7M   30.8SF	
Shipping Volume	0.41CBM	
Pkg Dimensions	FCL	W795 x D635 x H810mm; 19.30kg   W31" x D25" x H32"; 43lb
	LCL/AIR	W815 x D655 x H905mm; 25.50kg   W32" x D26" x H36"; 56lb

Lead time: 10-12 weeks

COM/COL		<b>¥165,000</b>
Fabric	C	<b>¥165,000</b>
	B	<b>¥195,000</b>
	A	<b>¥205,000</b>
Leather	C	<b>¥200,000</b>
	B	<b>¥231,000</b>
	A	<b>¥261,000</b>
PU Leather		<b>¥165,000</b>



# Cotton Club Lounge Chair Two Seater (1988) by Carlo Forcolini

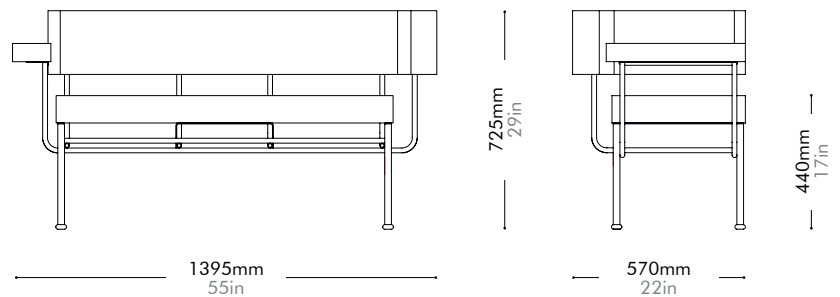


## CF-S121

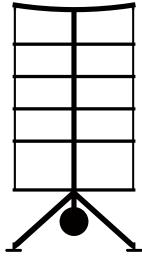
Materials	Steel black powder coat matt, upholstery		
Dimensions	W1395 x D570 x H725mm; SH: 440mm   W55" x D22" x H29"; SH: 17"		
Weight	26.0kg   57lb		
Upholstery	3.1M   46.2SF		
Shipping Volume	0.80CBM		
Pkg Dimensions	FCL	W1480 x D655 x H830mm; 34.58kg   W58" x D26" x H33"; 76lb	
	LCL/AIR	W1500 x D675 x H925mm; 46.34kg   W59" x D27" x H36"; 102lb	

Lead time: 10-12 weeks

COM/COL		<b>¥256,000</b>
Fabric	C	<b>¥256,000</b>
	B	<b>¥319,000</b>
	A	<b>¥341,000</b>
Leather	C	<b>¥304,000</b>
	B	<b>¥355,000</b>
	A	<b>¥402,000</b>
PU Leather		<b>¥256,000</b>



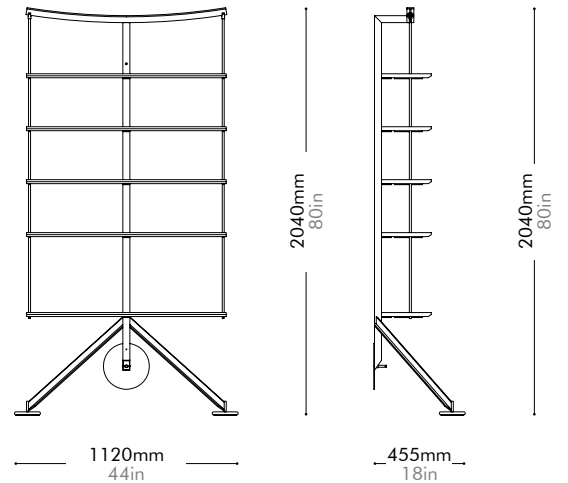
# Ran Library (1982) by Carlo Forcolini



## CF-SF110

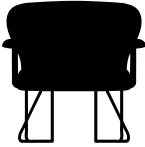
Materials	Steel black powder coat matt, wood veneer shelves	
Dimensions	W1120 x D455 x H2040mm   W44" x D18" x H80"	
Weight	37.0kg   82lb	
Upholstery		
Shipping Volume	1.43CBM	
Pkg Dimensions	FCL	W2125 x D1205 x H560mm; 48.85kg   W84" x D47" x H22"; 108lb
	LCL/AIR	W2145 x D1225 x H655mm; 79.38kg   W84" x D48" x H26"; 175lb

<b>Oak</b>	Lead time: 10-12 weeks	<b>Walnut</b>	Lead time: 10-12 weeks
	<b>¥179,000</b>		<b>¥194,000</b>





# Chillax Lounge Chair by Nic Graham



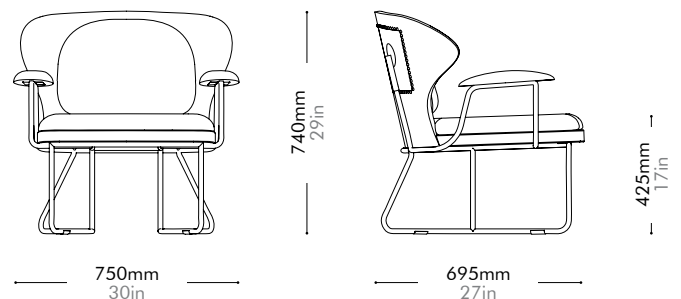
## CH-S131

Materials	Stainless steel hairline gold & steel black powder coat matt, solid wood armrest, upholstery	
Dimensions	W750 x D695 x H740mm; SH: 425mm   W30" x D27" x H29"; SH: 17"	
Weight	21.0kg   46lb	
Upholstery	2.8M   60.5SF	
Shipping Volume	0.51CBM	
Pkg Dimensions	FCL	W815 x D760 x H825mm; 27.50kg   W32" x D30" x H32"; 61lb
	LCL/AIR	W835 x D780 x H920mm; 35.07kg   W33" x D31" x H36"; 77lb

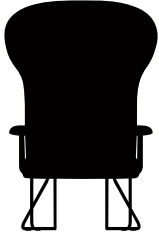
### Walnut

Lead time: 10-12 weeks

COM/COL		<b>¥313,000</b>
Fabric	C	<b>¥313,000</b>
	B	<b>¥365,000</b>
	A	<b>¥383,000</b>
Leather	C	<b>¥389,000</b>
	B	<b>¥456,000</b>
	A	<b>¥518,000</b>
PU Leather		<b>¥313,000</b>



# Chillax Highback Chair by Nic Graham



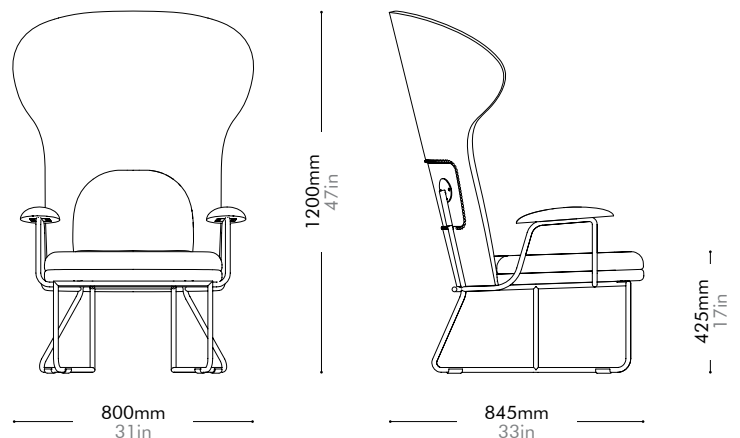
## CH-S141

Materials	Stainless steel hairline gold & steel black powder coat matt, solid wood armrest, upholstery		
Dimensions	W800 x D845 x H1200mm; SH: 425mm   W31" x D33" x H47"; SH: 17"		
Weight	27.0kg   60lb		
Upholstery	3.9M   104.5SF		
Shipping Volume	1.01CBM		
Pkg Dimensions	FCL	W865 x D910 x H1285mm; 38.80kg   W34" x D36" x H51"; 86lb	
	LCL/AIR	W885 x D930 x H1380mm; 48.36kg   W35" x D37" x H54"; 107lb	

## Walnut

Lead time: 10-12 weeks

COM/COL		<b>¥391,000</b>
Fabric	C	<b>¥391,000</b>
	B	<b>¥464,000</b>
	A	<b>¥490,000</b>
Leather	C	<b>¥531,000</b>
	B	<b>¥646,000</b>
	A	<b>¥753,000</b>
PU Leather		<b>¥391,000</b>



# Crawford Lounge Chair 2.0 by Tom Fereday

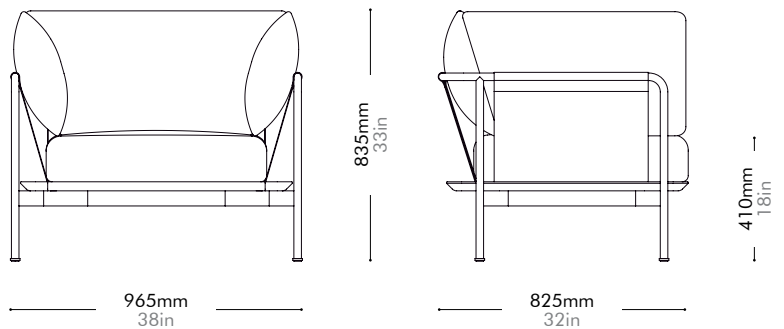


## CR-S111-R2

Materials	Wood veneer base, steel black powder coat matt, upholstery		
Dimensions	W965 x D825 x H835mm; SH: 410mm   W38" x D32" x H33"; SH: 18"		
Weight	36.0kg   79lb		
Upholstery	5.6M   180.0SF		
Shipping Volume	0.90CBM		
Pkg Dimensions	FCL	W1050 x D910 x H940mm; 45.20kg   W41" x D36" x H37"; 100lb	
	LCL/AIR	W1090 x D950 x H1030mm; 57.24kg   W43" x D37" x H41"; 126lb	

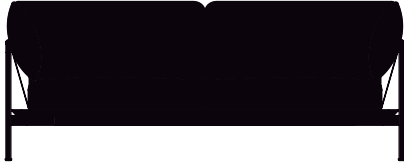
<b>Oak</b>		Lead time: 10-12 weeks
COM/COL		<b>¥361,000</b>
Fabric	C	<b>¥361,000</b>
	B	<b>¥449,000</b>
	A	<b>¥479,000</b>
Leather	C	<b>¥593,000</b>
	B	<b>¥772,000</b>
	A	<b>¥940,000</b>
PU Leather		<b>¥361,000</b>

<b>Walnut</b>		Lead time: 10-12 weeks
COM/COL		<b>¥387,000</b>
Fabric	C	<b>¥387,000</b>
	B	<b>¥474,000</b>
	A	<b>¥505,000</b>
Leather	C	<b>¥618,000</b>
	B	<b>¥797,000</b>
	A	<b>¥966,000</b>
PU Leather		<b>¥387,000</b>



# Crawford Sofa 2.0

by Tom Fereday

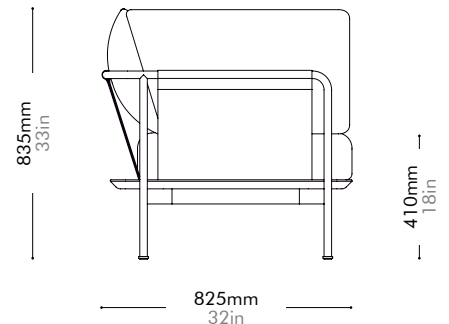
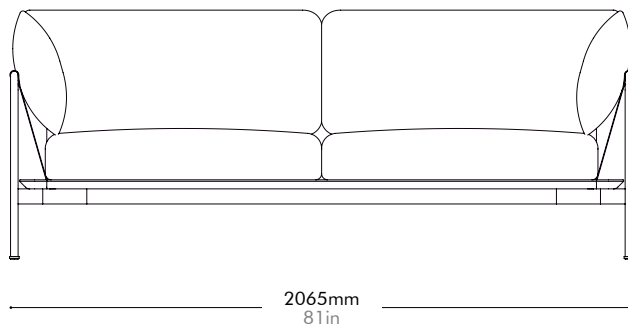


## CR-S421-R2

Materials	Wood veneer base, steel black powder coat matt, upholstery		
Dimensions	W2065 x D825 x H835mm; SH: 410mm   W81" x D32" x H33"; SH: 18"		
Weight	72.0kg   159lb		
Upholstery	9.6M   270.0SF		
Shipping Volume	1.84CBM		
Pkg Dimensions	FCL	W2150 x D910 x H940mm; 86.29kg   W85" x D36" x H37"; 190lb	
	LCL/AIR	W2190 x D950 x H1030mm; 110.47kg   W86" x D37" x H41"; 244lb	

<b>Oak</b>		Lead time: 10-12 weeks
COM/COL		<b>¥511,000</b>
Fabric	C	<b>¥511,000</b>
	B	<b>¥678,000</b>
	A	<b>¥737,000</b>
Leather	C	<b>¥873,000</b>
	B	<b>¥1,163,000</b>
	A	<b>¥1,435,000</b>
PU Leather		<b>¥511,000</b>

<b>Walnut</b>		Lead time: 10-12 weeks
COM/COL		<b>¥560,000</b>
Fabric	C	<b>¥560,000</b>
	B	<b>¥727,000</b>
	A	<b>¥786,000</b>
Leather	C	<b>¥922,000</b>
	B	<b>¥1,212,000</b>
	A	<b>¥1,484,000</b>
PU Leather		<b>¥560,000</b>



# Crawford Dining Chair U by Tom Fereday

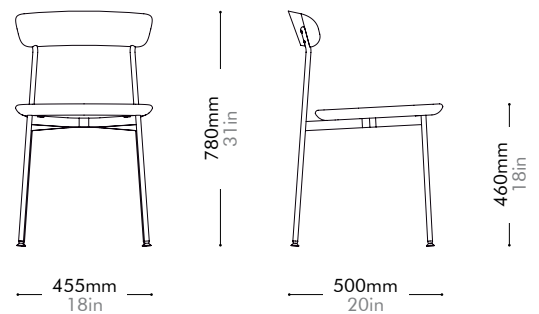


## CR-S210-UP

Materials	Steel black powder coat matt, upholstered seat, solid wood back		
Dimensions	W455 x D500 x H780mm; SH: 460mm   W18" x D20" x H31"; SH: 18"		
Weight	6.0kg   13lb		
Upholstery	0.6M   10.0SF		
Shipping Volume	0.30CBM		
Pkg Dimensions	FCL	W600 x D600 x H830mm; 11.11kg   W24" x D24" x H33"; 25lb	
	LCL/AIR	W620 x D620 x H925mm; 15.58kg   W24" x D24" x H36"; 34lb	

Lead time: 10-12 weeks

COM/COL		<b>¥134,000</b>
Fabric	C	<b>¥134,000</b>
	B	<b>¥143,000</b>
	A	<b>¥146,000</b>
Leather	C	<b>¥146,000</b>
	B	<b>¥157,000</b>
	A	<b>¥167,000</b>
PU Leather		<b>¥134,000</b>



# Crawford Dining Chair W

by Tom Fereday



## CR-S210-WD

Materials	Steel black powder coat matt, solid wood seat and back		
Dimensions	W455 x D500 x H780mm; SH: 460mm   W18" x D20" x H31"; SH: 18"		
Weight	6.0kg   13lb		
Upholstery			
Shipping Volume	0.30CBM		
Pkg Dimensions	FCL	W600 x D600 x H830mm; 11.11kg   W24" x D24" x H33"; 25lb	
	LCL/AIR	W620 x D620 x H925mm; 15.58kg   W24" x D24" x H36"; 34lb	

**Oak**      Lead time: 10-12 weeks

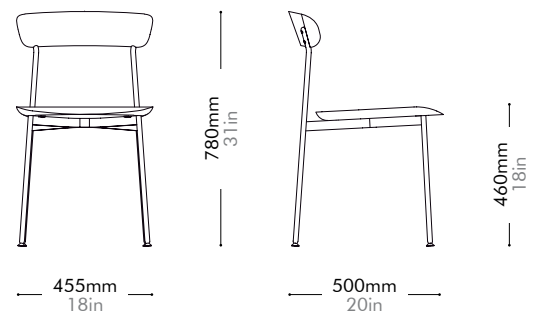
---

**¥156,000**

**Walnut**      Lead time: 10-12 weeks

---

**¥177,000**



# Crawford Soft Dining Chair

by Tom Fereday

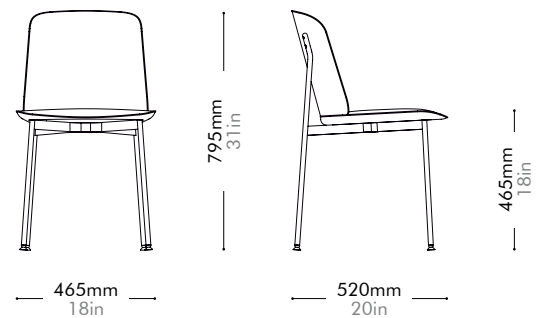


## CR-S220

Materials	Steel black powder coat matt, upholstered seat and back		
Dimensions	W465 x D520 x H795mm; SH: 465mm   W18" x D20" x H31"; SH: 18"		
Weight	7.0kg   15lb		
Upholstery	0.9M   18.0SF		
Shipping Volume	0.30CBM		
Pkg Dimensions	FCL	W600 x D600 x H830mm; 12.11kg   W24" x D24" x H33"; 27lb	
	LCL/AIR	W620 x D620 x H925mm; 16.58kg   W24" x D24" x H36"; 37lb	

Lead time: 10-12 weeks

COM/COL		<b>¥109,000</b>
Fabric	C	<b>¥109,000</b>
	B	<b>¥125,000</b>
	A	<b>¥130,000</b>
Leather	C	<b>¥129,000</b>
	B	<b>¥148,000</b>
	A	<b>¥165,000</b>
PU Leather		<b>¥109,000</b>



# Crawford Dining Table 1 C1600 by Tom Fereday



## CR-T410-1600

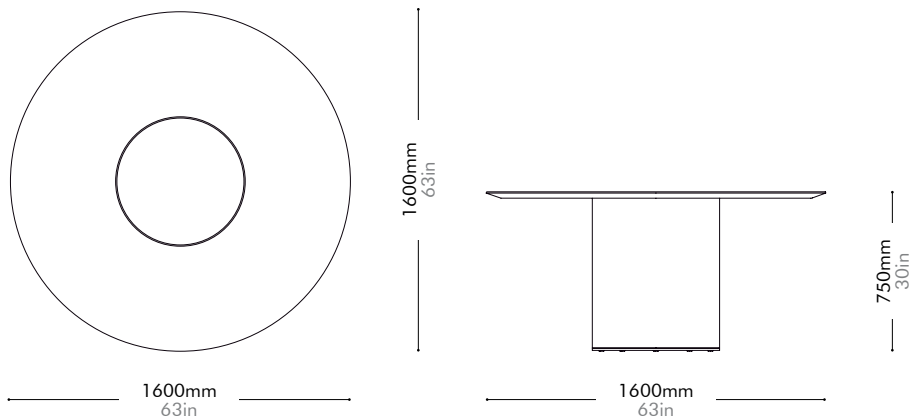
Materials	Stainless steel hairline brass, wood veneer top and base, stainless steel brass ring		
Dimensions	C1600 x H750mm   C63" x H30"		
Weight	77.0kg   170lb		
Upholstery			
Shipping Volume	0.30+0.59CBM		
Pkg Dimensions	FCL	W1665 x D1665 x H110mm; 41.88kg   W66" x D66" x H4"; 92lb	
		W865 x D865 x H785mm; 49.81kg   W34" x D34" x H31"; 110lb	
	LCL/AIR	W1705 x D1705 x H200mm; 75.66kg   W67" x D67" x H8"; 167lb	
		W905 x D905 x H875mm; 59.32kg   W36" x D36" x H34"; 131lb	

**Oak** Lead time: 10-12 weeks

**¥416,000**

**Walnut** Lead time: 10-12 weeks

**¥490,000**





# Crawford Dining Table 1 C1600 - Stone Top by Tom Fereday



## CR-T410-1600-ST

Materials	Stainless steel hairline brass, wood veneer base, stainless steel brass ring, stone top		
Dimensions	C1600 x H750mm   C63" x H30"		
Weight	88.0kg   194lb		
Upholstery			
Shipping Volume	0.39+0.35CBM		
Pkg Dimensions	FCL	W1695 x D1695 x H135mm; 53.37kg   W67" x D67" x H5"; 118lb	
		W665 x D665 x H785mm; 48.26kg   W26" x D26" x H31"; 106lb	
	LCL/AIR	W1735 x D1735 x H225mm; 88.35kg   W68" x D68" x H9"; 195lb	
		W705 x D705 x H875mm; 54.03kg   W28" x D28" x H34"; 119lb	

**Oak** Lead time: 10-12 weeks

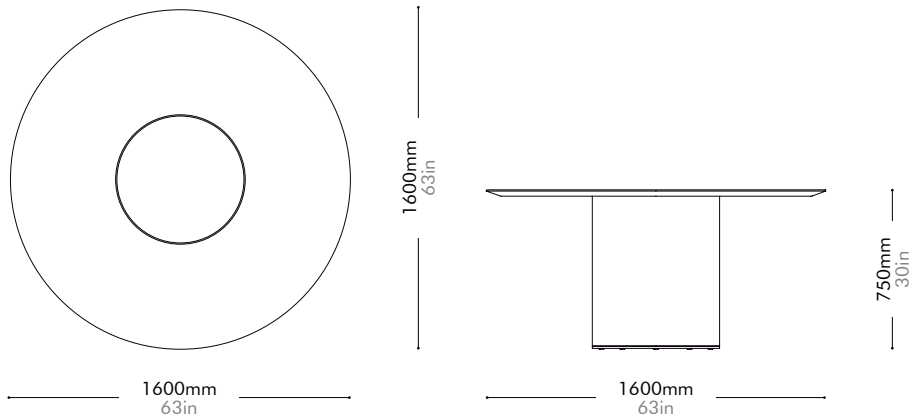
Stone A **¥877,000**

Stone B **¥661,000**

**Walnut** Lead time: 10-12 weeks

Stone A **¥882,000**

Stone B **¥667,000**



# Crawford Coffee Table C650

by Tom Fereday



## CR-T210-650

Materials Steel black powder coat matt, wood veneer top, stainless steel brass ring

Dimensions C650 x H450mm | C26" x H18"

Weight 10.0kg | 22lb

Upholstery

Shipping Volume 0.27CBM

Pkg Dimensions FCL W715 x D715 x H535mm; 13.91kg | W28" x D28" x H21"; 30lb

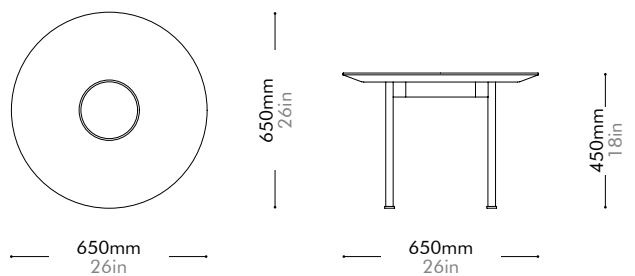
LCL/AIR W755 x D755 x H625mm; 20.53kg | W30" x D30" x H25"; 45lb

**Oak** Lead time: 10-12 weeks

**Walnut** Lead time: 10-12 weeks

¥123,000

¥124,000



# Crawford Coffee Table C900

by Tom Fereday



## CR-T210-900

Materials Steel black powder coat matt, wood veneer top, stainless steel brass ring

Dimensions C900 x H350mm | C35" x H14"

Weight 15.0kg | 33lb

Upholstery

Shipping Volume 0.41CBM

Pkg Dimensions FCL W965 x D965 x H435mm; 19.90kg | W38" x D38" x H17"; 44lb

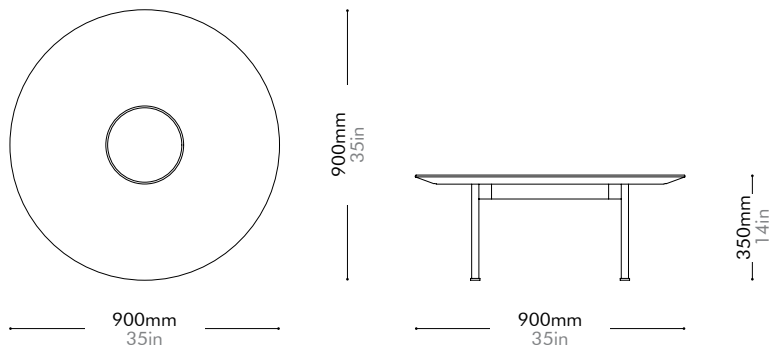
LCL/AIR W1005 x D1005 x H525mm; 31.64kg | W40" x D40" x H21"; 70lb

**Oak** Lead time: 10-12 weeks

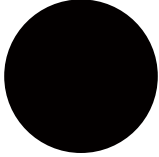
**¥149,000**

**Walnut** Lead time: 10-12 weeks

**¥152,000**



# Crawford Lazy Susan 900 by Tom Fereday

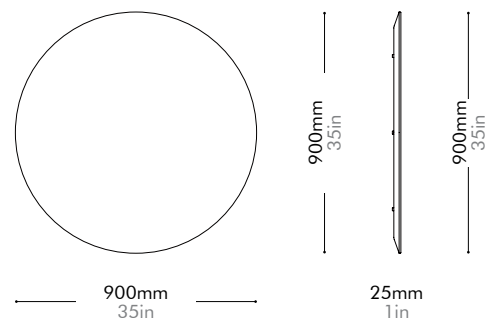


## CR-T400-A3

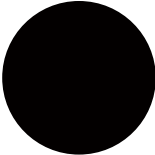
Materials	Wood veneer top, metal base	
Dimensions	C900 x H25mm   C35" x H1"	
Weight	10.0kg   22lb	
Upholstery		
Shipping Volume	0.09CBM	
Pkg Dimensions	FCL	W965 x D965 x H100mm; 12.84kg   W38" x D38" x H4"; 28lb
	LCL/AIR	W1005 x D1005 x H190mm; 24.57kg   W40" x D40" x H7"; 54lb

<b>Oak</b>	Lead time: 10-12 weeks
	<b>¥108,000</b>

<b>Walnut</b>	Lead time: 10-12 weeks
	<b>¥116,000</b>



# Crawford Lazy Susan 900 - Stone Top by Tom Fereday



**CR-T400-A3-ST**

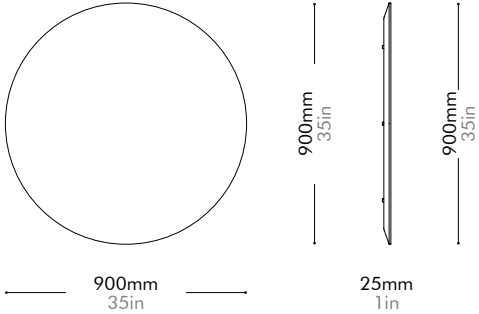
Materials	Stone top, metal base	
Dimensions	C900 x H25mm   C35" x H1"	
Weight	20.0kg   44lb	
Upholstery		
Shipping Volume	0.20CBM	
Pkg Dimensions	FCL/LCL/AIR	W995 x D995 x H205mm; 35.64kg   W39" x D39" x H8"; 79lb

Lead time: 10-12 weeks

Lead time: 10-12 weeks

Stone A **¥338,000**

Stone B **¥254,000**



# Crawford Lazy Susan 500 by Tom Fereday



## CR-T400-A2

Materials Wood veneer top, metal base

Dimensions C500 x H25mm | C20" x H1"

Weight 3.0kg | 7lb

Upholstery

Shipping Volume 0.03CBM

Pkg Dimensions FCL W565 x D565 x H100mm; 4.11kg | W22" x D22" x H4"; 9lb

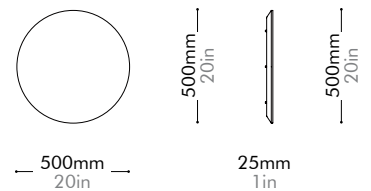
LCL/AIR W605 x D605 x H190mm; 8.36kg | W24" x D24" x H7"; 18lb

**Oak** Lead time: 10-12 weeks

**¥66,000**

**Walnut** Lead time: 10-12 weeks

**¥79,000**



# Crawford Bed

## Double Size

by Tom Fereday

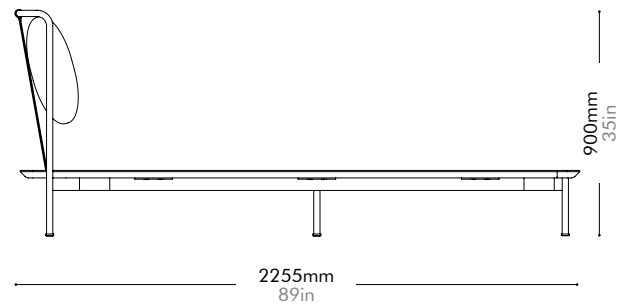
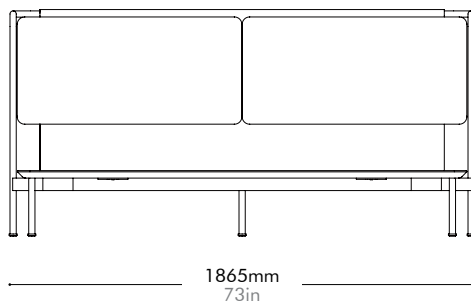


### CR-B110-D

Materials	Wood veneer base, steel black powder coat matt, upholstery		
Dimensions	W1865 x D2255 x H900mm   W73" x D89" x H35"		
Weight	76.0kg   168lb		
Upholstery	4.0M   66.0SF		
Shipping Volume	0.33+0.43CBM		
Pkg Dimensions	FCL	W2160 x D985 x H155mm; 49.60kg   W85" x D39" x H6"; 109lb	
		W1980 x D465 x H465mm; 38.68kg   W78" x D18" x H18"; 85lb	
	LCL/AIR	W2200 x D1025 x H245mm; 75.80kg   W87" x D40" x H10"; 167lb	
		W2020 x D505 x H555mm; 50.54kg   W80" x D20" x H22"; 111lb	

<b>Oak</b>		Lead time: 10-12 weeks
COM/COL		<b>¥413,000</b>
Fabric	C	<b>¥413,000</b>
	B	<b>¥487,000</b>
	A	<b>¥513,000</b>
Leather	C	<b>¥487,000</b>
	B	<b>¥558,000</b>
	A	<b>¥624,000</b>
PU Leather		<b>¥413,000</b>

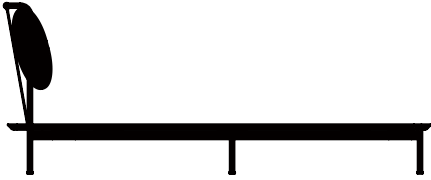
<b>Walnut</b>		Lead time: 10-12 weeks
COM/COL		<b>¥479,000</b>
Fabric	C	<b>¥479,000</b>
	B	<b>¥552,000</b>
	A	<b>¥578,000</b>
Leather	C	<b>¥553,000</b>
	B	<b>¥624,000</b>
	A	<b>¥690,000</b>
PU Leather		<b>¥479,000</b>



# Crawford Bed

## Queen Size

by Tom Fereday

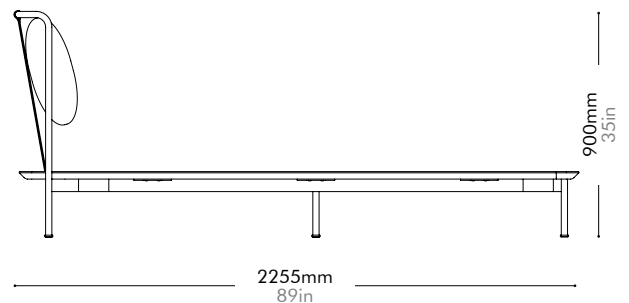
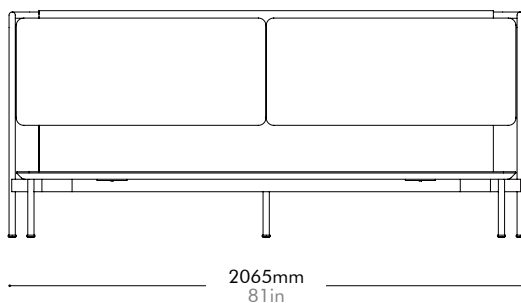


### CR-B110-Q

Materials	Wood veneer base, steel black powder coat matt, upholstery		
Dimensions	W2065 x D2255 x H900mm   W81" x D89" x H35"		
Weight	81.0kg   179lb		
Upholstery	4.5M   72.0SF		
Shipping Volume	0.33+0.43CBM		
Pkg Dimensions	FCL	W2160 x D985 x H155mm; 53.60kg   W85" x D39" x H6"; 118lb	
		W1980 x D465 x H465mm; 39.68kg   W78" x D18" x H18"; 88lb	
	LCL/AIR	W2200 x D1025 x H245mm; 79.80kg   W87" x D40" x H10"; 176lb	
		W2020 x D505 x H555mm; 51.54kg   W80" x D20" x H22"; 114lb	

<b>Oak</b>		Lead time: 10-12 weeks
COM/COL		<b>¥436,000</b>
Fabric	C	<b>¥436,000</b>
	B	<b>¥517,000</b>
	A	<b>¥546,000</b>
Leather	C	<b>¥515,000</b>
	B	<b>¥591,000</b>
	A	<b>¥663,000</b>
PU Leather		<b>¥436,000</b>

<b>Walnut</b>		Lead time: 10-12 weeks
COM/COL		<b>¥505,000</b>
Fabric	C	<b>¥505,000</b>
	B	<b>¥587,000</b>
	A	<b>¥615,000</b>
Leather	C	<b>¥584,000</b>
	B	<b>¥661,000</b>
	A	<b>¥733,000</b>
PU Leather		<b>¥505,000</b>





# Crawford Bed

## King Size

by Tom Fereday

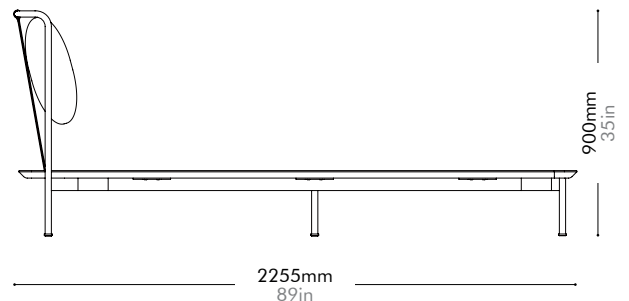
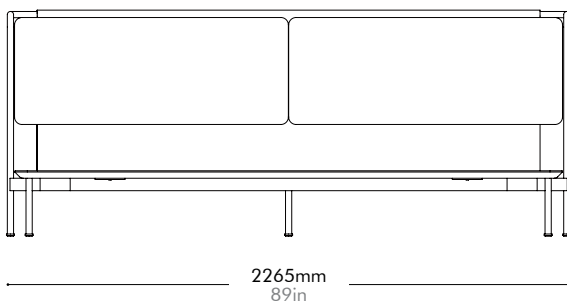


### CR-B110-K

Materials	Wood veneer base, steel black powder coat matt, upholstery		
Dimensions	W2265 x D2255 x H900mm   W89" x D89" x H35"		
Weight	86.0kg   189lb		
Upholstery	5.0M   78.0SF		
Shipping Volume	0.33+0.43CBM		
Pkg Dimensions	FCL	W2160 x D985 x H155mm; 57.60kg   W85" x D39" x H6"; 127lb	
		W1980 x D465 x H465mm; 40.68kg   W78" x D18" x H18"; 90lb	
	LCL/AIR	W2200 x D1025 x H245mm; 83.80kg   W87" x D40" x H10"; 185lb	
		W2020 x D505 x H555mm; 52.54kg   W80" x D20" x H22"; 116lb	

<b>Oak</b>		Lead time: 10-12 weeks
COM/COL		<b>¥514,000</b>
Fabric	C	<b>¥514,000</b>
	B	<b>¥604,000</b>
	A	<b>¥635,000</b>
Leather	C	<b>¥598,000</b>
	B	<b>¥681,000</b>
	A	<b>¥758,000</b>
PU Leather		<b>¥514,000</b>

<b>Walnut</b>		Lead time: 10-12 weeks
COM/COL		<b>¥596,000</b>
Fabric	C	<b>¥596,000</b>
	B	<b>¥686,000</b>
	A	<b>¥718,000</b>
Leather	C	<b>¥681,000</b>
	B	<b>¥763,000</b>
	A	<b>¥841,000</b>
PU Leather		<b>¥596,000</b>



# Dawn Bed

## Double Size

by Space  
Copenhagen

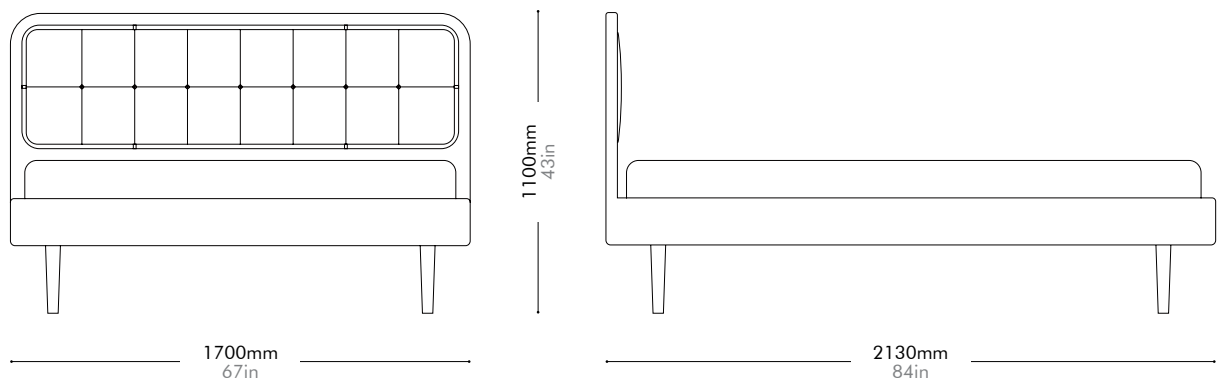


### DA-B110-D

Materials	Stainless steel oil rubbed copper, steel black powder coat matt, solid wood with wood veneer frame, upholstery back		
Dimensions	W1700 x D2130 x H1100mm   W67" x D84" x H43"		
Weight	48.0kg   106lb		
Upholstery	1.8M   15.0SF		
Shipping Volume	0.14+0.63CBM		
Pkg Dimensions	FCL	W2080 x D240 x H280mm; 23.07kg   W82" x D9" x H11"; 51lb	
		W1800 x D1100 x H320mm; 35.53kg   W71" x D43" x H13"; 78lb	
	LCL/AIR	W2120 x D280 x H370mm; 29.97kg   W83" x D11" x H15"; 66lb	
		W1840 x D1140 x H410mm; 59.90kg   W72" x D45" x H16"; 132lb	

Oak	Lead time: 10-12 weeks	
COM/COL		<b>¥493,000</b>
Fabric	C	<b>¥493,000</b>
	B	<b>¥505,000</b>
	A	<b>¥510,000</b>
Leather	C	<b>¥514,000</b>
	B	<b>¥532,000</b>
	A	<b>¥549,000</b>
PU Leather		<b>¥493,000</b>

Walnut	Lead time: 10-12 weeks	
COM/COL		<b>¥540,000</b>
Fabric	C	<b>¥540,000</b>
	B	<b>¥552,000</b>
	A	<b>¥557,000</b>
Leather	C	<b>¥561,000</b>
	B	<b>¥579,000</b>
	A	<b>¥596,000</b>
PU Leather		<b>¥540,000</b>



# Dawn Bed

## Queen Size

by Space Copenhagen



### DA-B110-Q

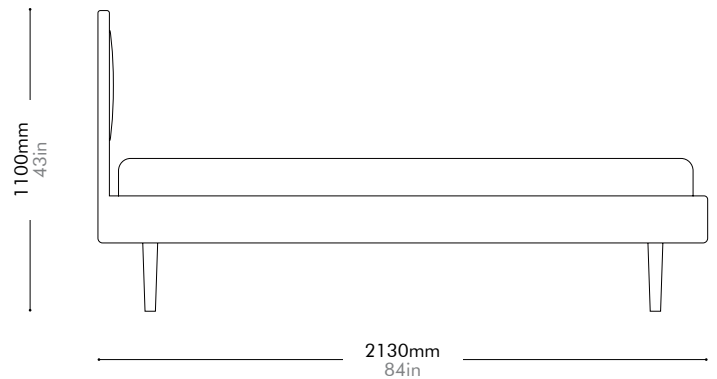
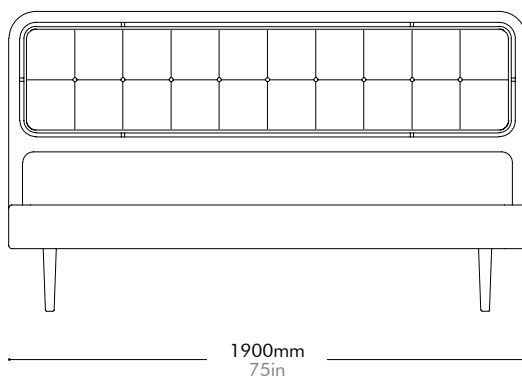
Materials	Stainless steel oil rubbed copper, steel black powder coat matt, solid wood with wood veneer frame, upholstery back		
Dimensions	W1900 x D2130 x H1100mm   W75" x D84" x H43"		
Weight	52.0kg   115lb		
Upholstery	1.9M   17.0SF		
Shipping Volume	0.14+0.70CBM		
Pkg Dimensions	FCL	W2080 x D240 x H280mm; 25.07kg   W82" x D9" x H11"; 55lb	
		W2000 x D1100 x H320mm; 38.24kg   W79" x D43" x H13"; 84lb	
	LCL/AIR	W2120 x D280 x H370mm; 31.97kg   W83" x D11" x H15"; 70lb	
		W2040 x D1140 x H410mm; 65.26kg   W80" x D45" x H16"; 144lb	

#### Oak Lead time: 10-12 weeks

COM/COL		<b>¥550,000</b>
Fabric	C	<b>¥550,000</b>
	B	<b>¥566,000</b>
	A	<b>¥572,000</b>
Leather	C	<b>¥572,000</b>
	B	<b>¥593,000</b>
	A	<b>¥611,000</b>
PU Leather		<b>¥550,000</b>

#### Walnut Lead time: 10-12 weeks

COM/COL		<b>¥621,000</b>
Fabric	C	<b>¥621,000</b>
	B	<b>¥637,000</b>
	A	<b>¥643,000</b>
Leather	C	<b>¥643,000</b>
	B	<b>¥664,000</b>
	A	<b>¥682,000</b>
PU Leather		<b>¥621,000</b>



# Dawn Bed

## King Size

### by Space Copenhagen

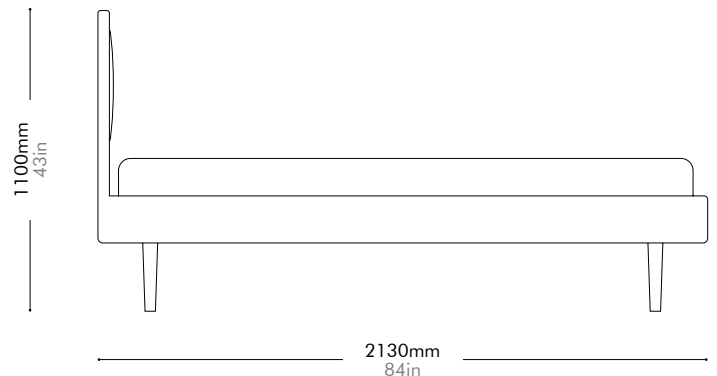
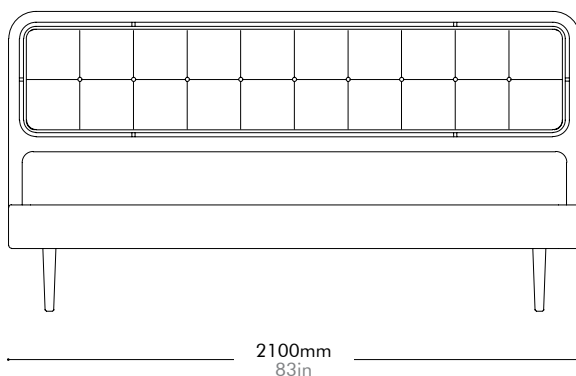


#### DA-B110-K

Materials	Stainless steel oil rubbed copper, steel black powder coat matt, solid wood with wood veneer frame, upholstery back		
Dimensions	W2100 x D2130 x H1100mm   W83" x D84" x H43"		
Weight	56.0kg   123lb		
Upholstery	2.0M   19.0SF		
Shipping Volume	0.15+0.77CBM		
Pkg Dimensions	FCL	W2180 x D240 x H280mm; 27.20kg   W86" x D9" x H11"; 60lb	
		W2200 x D1100 x H320mm; 40.95kg   W87" x D43" x H13"; 90lb	
	LCL/AIR	W2220 x D280 x H370mm; 34.42kg   W87" x D11" x H15"; 76lb	
		W2240 x D1140 x H410mm; 70.62kg   W88" x D45" x H16"; 156lb	

<b>Oak</b>		Lead time: 10-12 weeks
COM/COL		<b>¥564,000</b>
Fabric	C	<b>¥564,000</b>
	B	<b>¥577,000</b>
	A	<b>¥582,000</b>
Leather	C	<b>¥583,000</b>
	B	<b>¥599,000</b>
	A	<b>¥615,000</b>
PU Leather		<b>¥564,000</b>

<b>Walnut</b>		Lead time: 10-12 weeks
COM/COL		<b>¥626,000</b>
Fabric	C	<b>¥626,000</b>
	B	<b>¥639,000</b>
	A	<b>¥644,000</b>
Leather	C	<b>¥645,000</b>
	B	<b>¥661,000</b>
	A	<b>¥677,000</b>
PU Leather		<b>¥626,000</b>



# Discipline Sofa Corner L by Neri&Hu

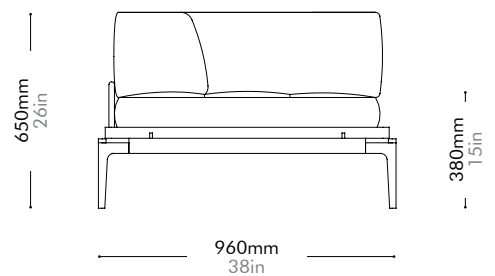
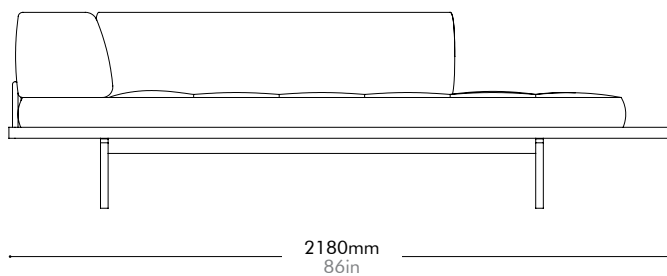


## DS-S420-L

Materials	Solid wood and wood veneer base, stainless steel hairline aged gold legs and brackets, upholstery		
Dimensions	W2180 x D960 x H650mm; SH: 380mm   W86" x D38" x H26"; SH: 15"		
Weight	100.0kg   221lb		
Upholstery	5.1M   110.0SF	Fabric + Leather	1.3M+80.0SF
Shipping Volume	1.79CBM		
Pkg Dimensions	FCL	W2265 x D1045 x H755mm; 113.59kg   W89" x D41" x H30"; 250lb	
	LCL/AIR	W2305 x D1085 x H845mm; 142.65kg   W91" x D43" x H33"; 314lb	

<b>Oak</b>		Lead time: 10-12 weeks
COM/COL		<b>¥608,000</b>
Fabric	C	<b>¥608,000</b>
	B	<b>¥704,000</b>
	A	<b>¥738,000</b>
Leather	C	<b>¥744,000</b>
	B	<b>¥862,000</b>
	A	<b>¥973,000</b>
PU Leather		<b>¥608,000</b>

<b>Walnut</b>		Lead time: 10-12 weeks
COM/COL		<b>¥637,000</b>
Fabric	C	<b>¥637,000</b>
	B	<b>¥733,000</b>
	A	<b>¥767,000</b>
Leather	C	<b>¥772,000</b>
	B	<b>¥891,000</b>
	A	<b>¥1,002,000</b>
PU Leather		<b>¥637,000</b>



# Discipline Sofa Corner R by Neri&Hu

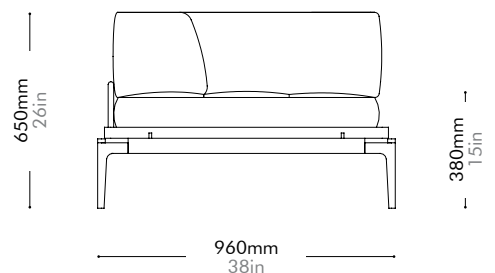
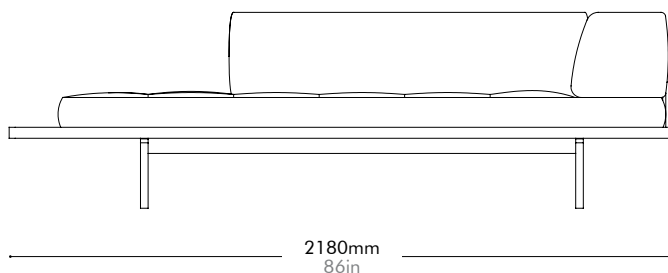


## DS-S420-R

Materials	Solid wood and wood veneer base, stainless steel hairline aged gold legs and brackets, upholstery		
Dimensions	W2180 x D960 x H650mm; SH: 380mm   W86" x D38" x H26"; SH: 15"		
Weight	100.0kg   221lb		
Upholstery	5.1M   110.0SF	Fabric + Leather	1.3M+80.0SF
Shipping Volume	1.79CBM		
Pkg Dimensions	FCL	W2265 x D1045 x H755mm; 113.59kg   W89" x D41" x H30"; 250lb	
	LCL/AIR	W2305 x D1085 x H845mm; 142.65kg   W91" x D43" x H33"; 314lb	

<b>Oak</b>		Lead time: 10-12 weeks
COM/COL		<b>¥608,000</b>
Fabric	C	<b>¥608,000</b>
	B	<b>¥704,000</b>
	A	<b>¥738,000</b>
Leather	C	<b>¥744,000</b>
	B	<b>¥862,000</b>
	A	<b>¥973,000</b>
PU Leather		<b>¥608,000</b>

<b>Walnut</b>		Lead time: 10-12 weeks
COM/COL		<b>¥637,000</b>
Fabric	C	<b>¥637,000</b>
	B	<b>¥733,000</b>
	A	<b>¥767,000</b>
Leather	C	<b>¥772,000</b>
	B	<b>¥891,000</b>
	A	<b>¥1,002,000</b>
PU Leather		<b>¥637,000</b>



# Discipline Sofa Half Back L by Neri&Hu

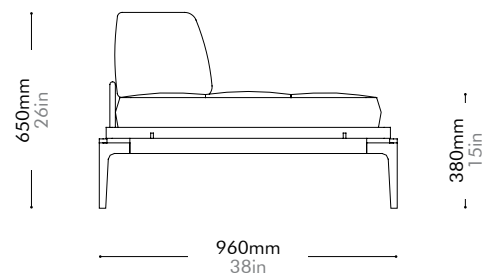
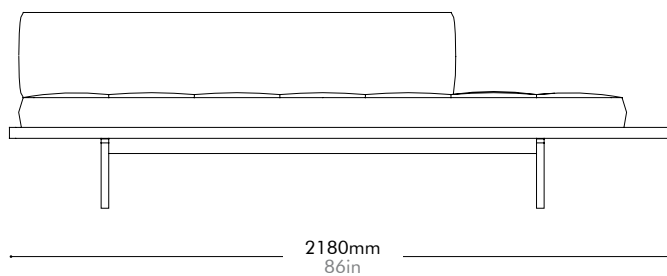


## DS-S430-L

Materials	Solid wood and wood veneer base, stainless steel hairline aged gold legs and brackets, upholstery		
Dimensions	W2180 x D960 x H650mm; SH: 380mm   W86" x D38" x H26"; SH: 15"		
Weight	95.0kg   209lb		
Upholstery	4.5M   90.OSF	Fabric + Leather	1.6M+70.OSF
Shipping Volume	1.79CBM		
Pkg Dimensions	FCL	W2265 x D1045 x H755mm; 108.59kg   W89" x D41" x H30"; 240lb	
	LCL/AIR	W2305 x D1085 x H845mm; 137.65kg   W91" x D43" x H33"; 303lb	

<b>Oak</b>		Lead time: 10-12 weeks
COM/COL		<b>¥586,000</b>
Fabric	C	<b>¥586,000</b>
	B	<b>¥665,000</b>
	A	<b>¥693,000</b>
Leather	C	<b>¥685,000</b>
	B	<b>¥775,000</b>
	A	<b>¥859,000</b>
PU Leather		<b>¥586,000</b>

<b>Walnut</b>		Lead time: 10-12 weeks
COM/COL		<b>¥597,000</b>
Fabric	C	<b>¥597,000</b>
	B	<b>¥677,000</b>
	A	<b>¥705,000</b>
Leather	C	<b>¥697,000</b>
	B	<b>¥786,000</b>
	A	<b>¥870,000</b>
PU Leather		<b>¥597,000</b>



# Discipline Sofa Half Back R by Neri&Hu



## DS-S430-R

Materials	Solid wood and wood veneer base, stainless steel hairline aged gold legs and brackets, upholstery		
Dimensions	W2180 x D960 x H650mm; SH: 380mm   W86" x D38" x H26"; SH: 15"		
Weight	95.0kg   209lb		
Upholstery	4.5M   90.OSF	Fabric + Leather	1.6M+70.OSF
Shipping Volume	1.79CBM		
Pkg Dimensions	FCL	W2265 x D1045 x H755mm; 108.59kg   W89" x D41" x H30"; 240lb	
	LCL/AIR	W2305 x D1085 x H845mm; 137.65kg   W91" x D43" x H33"; 303lb	

### Oak

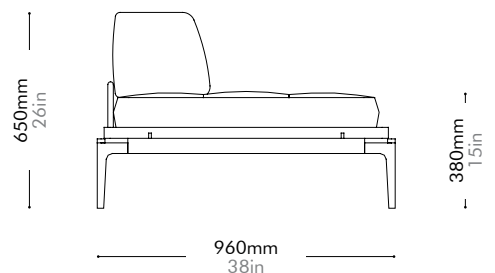
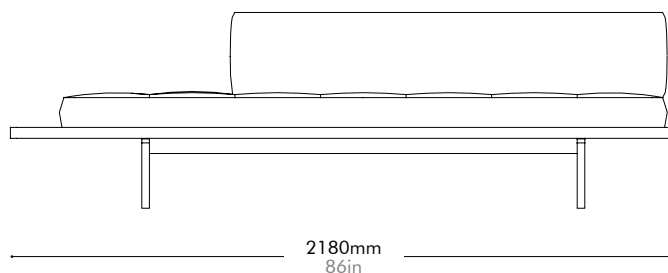
Lead time: 10-12 weeks

COM/COL		<b>¥586,000</b>
Fabric	C	<b>¥586,000</b>
	B	<b>¥665,000</b>
	A	<b>¥693,000</b>
Leather	C	<b>¥685,000</b>
	B	<b>¥775,000</b>
	A	<b>¥859,000</b>
PU Leather		<b>¥586,000</b>

### Walnut

Lead time: 10-12 weeks

COM/COL		<b>¥597,000</b>
Fabric	C	<b>¥597,000</b>
	B	<b>¥677,000</b>
	A	<b>¥705,000</b>
Leather	C	<b>¥697,000</b>
	B	<b>¥786,000</b>
	A	<b>¥870,000</b>
PU Leather		<b>¥597,000</b>





# Discipline Sofa Straight by Neri&Hu



## DS-S410

Materials	Solid wood and wood veneer base, stainless steel hairline aged gold legs and brackets, upholstery		
Dimensions	W2050 x D960 x H650mm; SH: 380mm   W81" x D38" x H26"; SH: 15"		
Weight	99.0kg   218lb		
Upholstery	5.3M   105.0SF	Fabric + Leather	2.2M+75.0SF
Shipping Volume	1.68CBM		
Pkg Dimensions	FCL	W2135 x D1045 x H755mm; 112.01kg   W84" x D41" x H30"; 247lb	
	LCL/AIR	W2175 x D1085 x H845mm; 139.43kg   W86" x D43" x H33"; 307lb	

### Oak

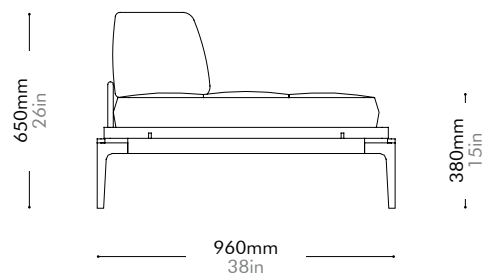
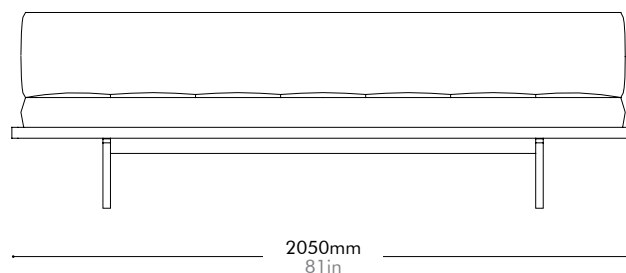
Lead time: 10-12 weeks

COM/COL		<b>¥592,000</b>
Fabric	C	<b>¥592,000</b>
	B	<b>¥692,000</b>
	A	<b>¥727,000</b>
Leather	C	<b>¥720,000</b>
	B	<b>¥834,000</b>
	A	<b>¥942,000</b>
PU Leather		<b>¥592,000</b>

### Walnut

Lead time: 10-12 weeks

COM/COL		<b>¥631,000</b>
Fabric	C	<b>¥631,000</b>
	B	<b>¥731,000</b>
	A	<b>¥767,000</b>
Leather	C	<b>¥759,000</b>
	B	<b>¥874,000</b>
	A	<b>¥981,000</b>
PU Leather		<b>¥631,000</b>



# Discipline Sofa Side Table by Neri&Hu



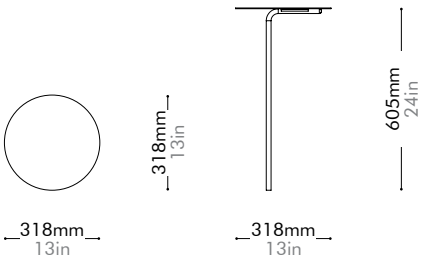
**DS-S400-A1**

Materials	Stainless steel hairline aged gold	
Dimensions	W318 x D318 x H605mm   W13" x D13" x H24"	
Weight	2.0kg   4lb	
Upholstery		
Shipping Volume	0.08CBM	
Pkg Dimensions	FCL	W640 x D360 x H360mm; 3.80kg   W25" x D14" x H14"; 8lb
	LCL/AIR	W680 x D400 x H450mm; 6.96kg   W27" x D16" x H18"; 15lb

**Metal**      Lead time: 10-12 weeks

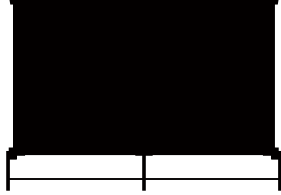
---

**¥57,000**



# Dowry Cabinet I

by Neri&Hu



## DO-C110

Materials	Solid wood with wood veneer panels, stainless steel hairline aged gold, tempered glass	
Dimensions	W1430 x D525 x H1000mm   W56" x D21" x H39"	
Weight	92.0kg   203lb	
Upholstery		
Shipping Volume	1.2CBM	
Pkg Dimensions	FCL/LCL/AIR	W1545 x D640 x H1210mm; 133.27kg   W61" x D25" x H48"; 294lb

**Oak**      Lead time: 10-12 weeks

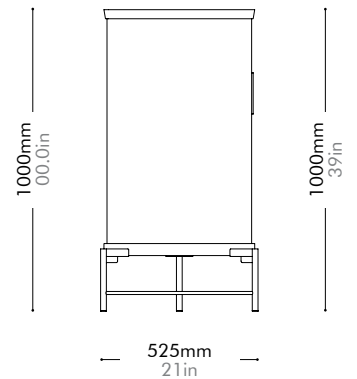
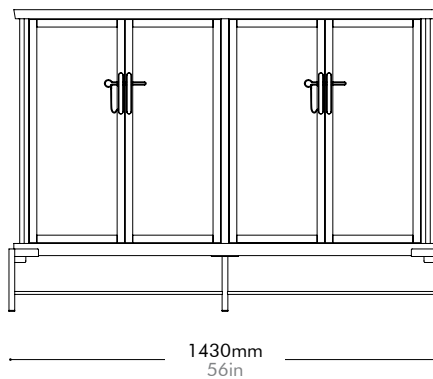
---

**¥671,000**

**Walnut**      Lead time: 10-12 weeks

---

**¥750,000**

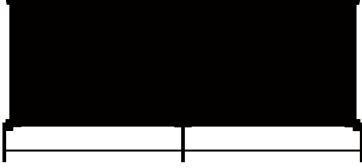


# Dowry Cabinet II

by Neri&Hu

## DO-C120

Materials	Solid wood with wood veneer panels, stainless steel hairline aged gold, tempered glass	
Dimensions	W1875 x D525 x H850mm   W74" x D21" x H33"	
Weight	104.5kg   230lb	
Upholstery		
Shipping Volume	1.35CBM	
Pkg Dimensions	FCL/LCL/AIR	W1990 x D640 x H1060mm; 150.67kg   W78" x D25" x H42"; 332lb



**Oak**      Lead time: 10-12 weeks

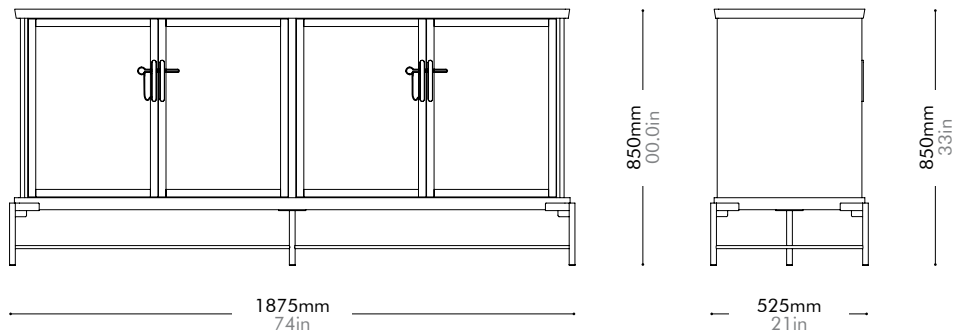
---

**¥691,000**

**Walnut**      Lead time: 10-12 weeks

---

**¥728,000**



# Dowry Cabinet III

by Neri&Hu



## DO-C130

Materials	Solid wood with wood veneer panels, stainless steel hairline aged gold, tempered glass	
Dimensions	W1070 x D525 x H1450mm   W42" x D21" x H57"	
Weight	98.5kg   217lb	
Upholstery		
Shipping Volume	1.26CBM	
Pkg Dimensions	FCL/LCL/AIR	W1185 x D640 x H1660mm; 141.55kg   W47" x D25" x H65"; 312lb

**Oak**      Lead time: 10-12 weeks

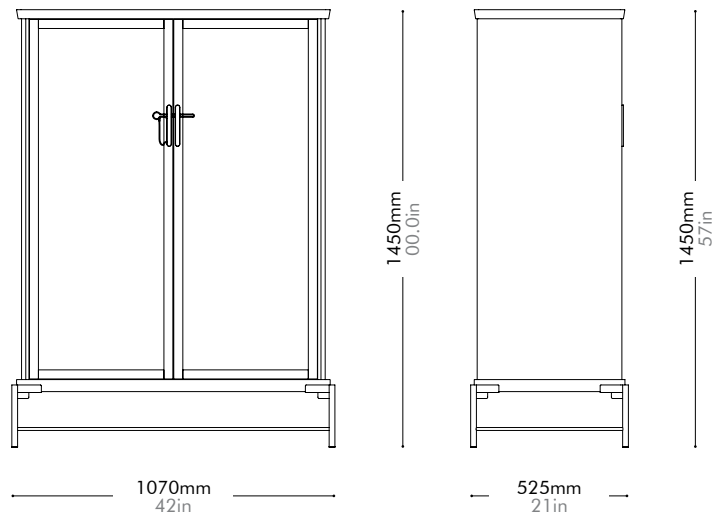
---

**¥558,000**

**Walnut**      Lead time: 10-12 weeks

---

**¥585,000**



# Exchange Dining Chair 2.0

by CRÈME

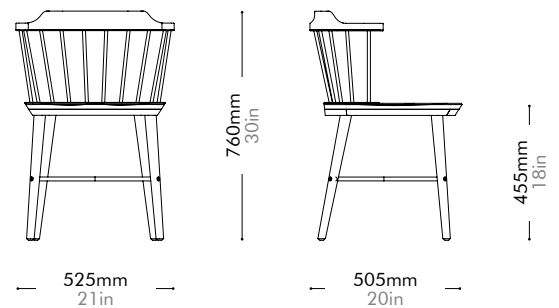


## EX-S211-R2

Materials	Solid wood frame, wood veneer seat, steel black powder coat matt		
Dimensions	W525 x D505 x H760mm; SH: 455mm   W21" x D20" x H30"; SH: 18"		
Weight	7.5kg   17lb		
Upholstery			
Shipping Volume	0.30CBM		
Pkg Dimensions	FCL	W600 x D600 x H830mm; 12.61kg   W24" x D24" x H33"; 28lb	
	LCL/AIR	W620 x D620 x H925mm; 17.08kg   W25" x D25" x H36"; 38lb	

**Oak** Lead time: 10-12 weeks  
**¥157,000**

**Walnut** Lead time: 10-12 weeks  
**¥175,000**



# Exchange HighBack Chair 2.0 by CRÈME



## EX-S231-R2

Materials	Solid wood frame, wood veneer seat, steel black powder coat matt		
Dimensions	W540 x D540 x H915mm; SH: 455mm   W21" x D21" x H36"; SH: 18"		
Weight	8.0kg   18lb		
Upholstery			
Shipping Volume	0.37CBM		
Pkg Dimensions	FCL	W605 x D605 x H1000mm; 14.44kg   W24" x D24" x H39"; 32lb	
	LCL/AIR	W625 x D625 x H1095mm; 18.98kg   W25" x D25" x H43"; 42lb	

**Oak**      Lead time: 10-12 weeks  

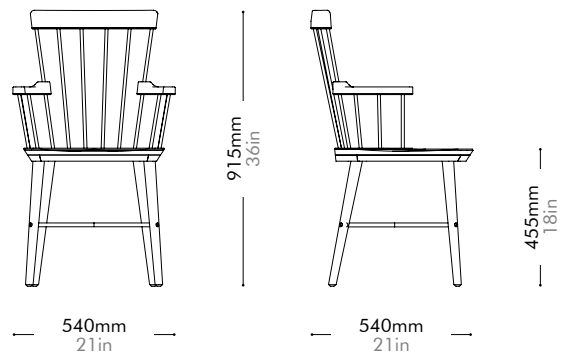

---

**¥154,000**

**Walnut**      Lead time: 10-12 weeks  


---

**¥165,000**



# Exchange Lounge Chair 2.0 by CRÈME



## EX-S111-R2

Materials	Solid wood frame, wood veneer seat, steel black powder coat matt		
Dimensions	W595 x D550 x H655mm; SH: 390mm   W23" x D22" x H26"; SH: 15"		
Weight	8.5kg   19lb		
Upholstery			
Shipping Volume	0.30CBM		
Pkg Dimensions	FCL	W660 x D615 x H740mm; 13.24kg   W26" x D24" x H29"; 29lb	
	LCL/AIR	W680 x D635 x H835mm; 18.26kg   W27" x D25" x H33"; 40lb	

**Oak**      Lead time: 10-12 weeks  

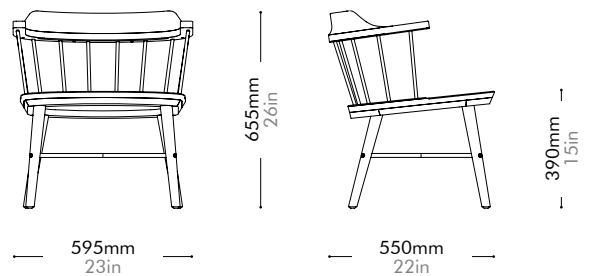

---

**¥203,000**

**Walnut**      Lead time: 10-12 weeks  

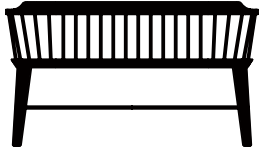

---

**¥219,000**





# Exchange Chair Two Seater 2.0 by CRÈME



## EX-S221-R2

Materials	Solid wood frame, wood veneer seat, steel black powder coat matt
Dimensions	W1325 x D505 x H760mm; SH: 455mm   W52" x D20" x H30"; SH: 18"
Weight	15.5kg   34lb

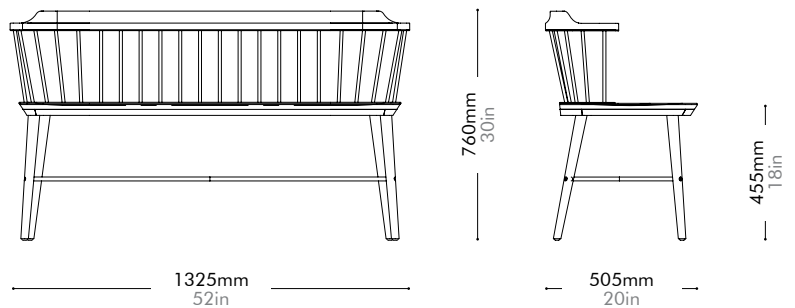
Upholstery

Shipping Volume 0.67CBM

Pkg Dimensions	FCL	W1390 x D570 x H845mm; 23.41kg   W55" x D22" x H33"; 52lb
	LCL/AIR	W1410 x D590 x H940mm; 33.07kg   W56" x D23" x H37"; 73lb

<b>Oak</b>	Lead time: 10-12 weeks
	<b>¥251,000</b>

<b>Walnut</b>	Lead time: 10-12 weeks
	<b>¥290,000</b>



# Exchange Bar Chair 2.0 SH610 by CRÈME

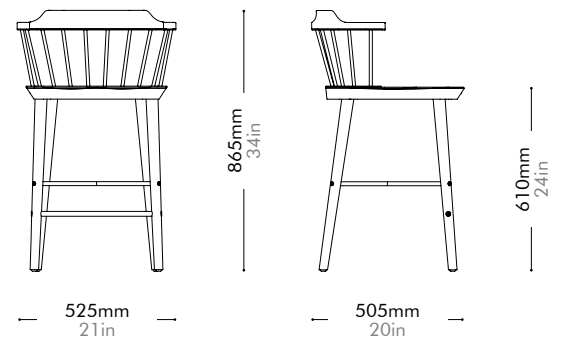


## EX-S311-R2-610

Materials	Solid wood frame, wood veneer seat, steel black powder coat matt		
Dimensions	W525 x D505 x H865mm; SH: 610mm   W21" x D20" x H34"; SH: 24"		
Weight	7.5kg   17lb		
Upholstery			
Shipping Volume	0.36CBM		
Pkg Dimensions	FCL	W600 x D600 x H1000mm; 13.90kg   W24" x D24" x H39"; 31lb	
	LCL/AIR	W620 x D620 x H1095mm; 18.37kg   W24" x D24" x H43"; 40lb	

**Oak**      Lead time: 10-12 weeks  
 ¥155,000

**Walnut**      Lead time: 10-12 weeks  
 ¥176,000



# Exchange Bar Chair 2.0 SH750 by CRÈME



## EX-S311-R2-750

Materials	Solid wood frame, wood veneer seat, steel black powder coat matt		
Dimensions	W525 x D505 x H1005mm; SH: 750mm   W21" x D20" x H40"; SH: 30"		
Weight	8.0kg   17lb		
Upholstery			
Shipping Volume	0.41CBM		
Pkg Dimensions	FCL	W600 x D600 x H1140mm; 15.57kg   W24" x D24" x H45"; 34lb	
	LCL/AIR	W620 x D620 x H1235mm; 20.04kg   W24" x D24" x H49"; 44lb	

**Oak**      Lead time: 10-12 weeks  

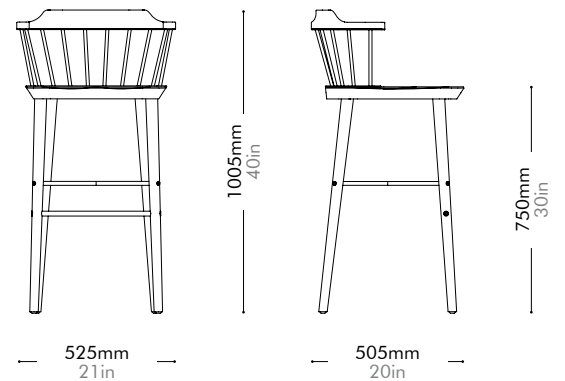

---

**¥156,000**

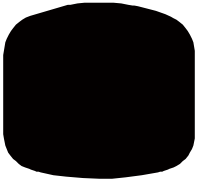
**Walnut**      Lead time: 10-12 weeks  


---

**¥176,000**



# Exchange Lounge Chair Seat Cushion by CRÈME

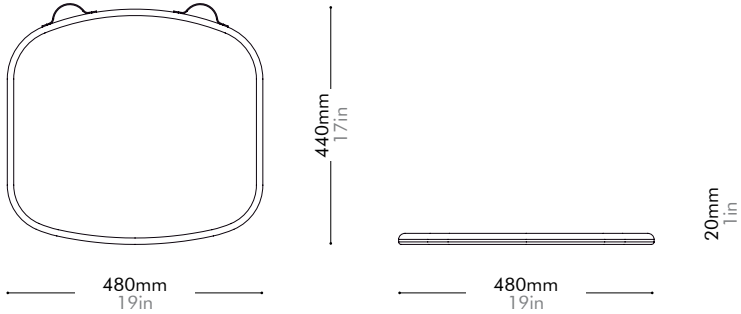


**EX-S100-A2**

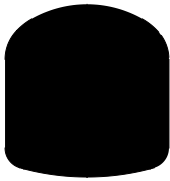
Materials	Upholstery
Dimensions	W480x D440 x H20mm   W19" x D17" x H1"
Weight	0.5kg   1lb
Upholstery	0.6M   9.9SF
Shipping Volume	
Pkg Dimensions	

Lead time: 10-12 weeks

COM/COL		<b>¥14,000</b>
Fabric	C	<b>¥14,000</b>
	B	<b>¥26,000</b>
	A	<b>¥30,000</b>
Leather	C	<b>¥26,000</b>
	B	<b>¥36,000</b>
	A	<b>¥47,000</b>
PU Leather		<b>¥14,000</b>



# Exchange Dining Chair / Bar Chair / Highback Chair Seat Cushion by CRÈME

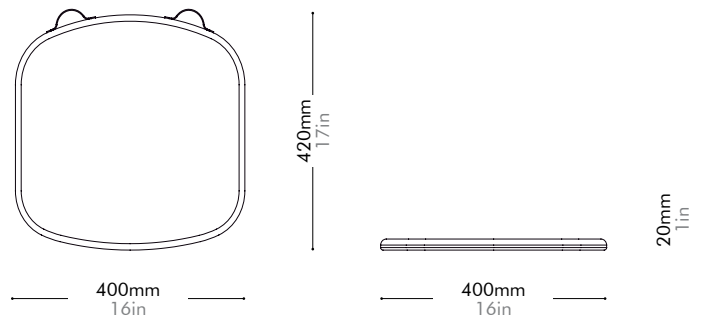


## EX-S200-A2

Materials	Upholstery
Dimensions	W400x D420 x H20mm   W16" x D17" x H1"
Weight	0.4kg   1lb
Upholstery	0.5M   8.5SF
Shipping Volume	
Pkg Dimensions	

Lead time: 10-12 weeks

COM/COL		<b>¥12,000</b>
Fabric	C	<b>¥12,000</b>
	B	<b>¥20,000</b>
	A	<b>¥23,000</b>
Leather	C	<b>¥20,000</b>
	B	<b>¥29,000</b>
	A	<b>¥36,000</b>
PU Leather		<b>¥12,000</b>



# Exchange Chair Two Seater Seat Cushion by CRÈME

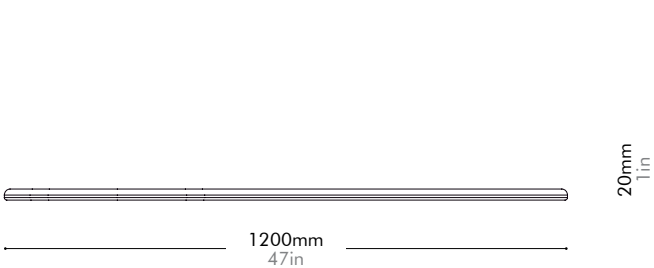
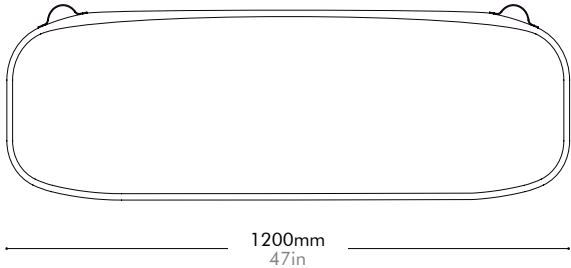


**EX-S220-A2**

Materials	Upholstery
Dimensions	W1200 x D420 x H20mm   W47" x D17" x H1"
Weight	1.2kg   3lb
Upholstery	1.55M   24.5SF
Shipping Volume	
Pkg Dimensions	

Lead time: 10-12 weeks

COM/COL		<b>¥23,000</b>
Fabric	C	<b>¥23,000</b>
	B	<b>¥48,000</b>
	A	<b>¥57,000</b>
Leather	C	<b>¥48,000</b>
	B	<b>¥72,000</b>
	A	<b>¥94,000</b>
PU Leather		<b>¥23,000</b>



# Exchange Lounge Chair Back Cushion by CRÈME



## EX-S100-A1

Materials Upholstery, steel black powder coat matt

Dimensions W370 x D90 x H190mm | W15" x D4" x H7"

Weight 0.7kg | 22lb

Upholstery 0.3M | 4.4SF

Shipping Volume

Pkg Dimensions

Lead time: 10-12 weeks

COM/COL		¥28,000
Fabric	C	¥28,000
	B	¥37,000
	A	¥41,000
Leather	C	¥31,000
	B	¥38,000
	A	¥41,000
PU Leather		¥28,000



370mm  
15in



190mm  
7in



370mm  
15in

90mm  
4in

# Exchange Dining Chair / Bar Chair Back Cushion by CRÈME

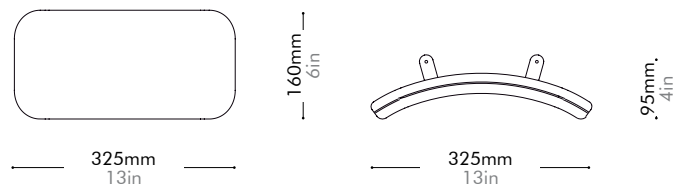


## EX-S200-A1

Materials	Upholstery, steel black powder coat matt
Dimensions	W325 x D95 x H160mm   W13" x D4" x H6"
Weight	0.6kg   1lb
Upholstery	0.35M   4.5SF
Shipping Volume	
Pkg Dimensions	

Lead time: 10-12 weeks

COM/COL		<b>¥23,000</b>
Fabric	C	<b>¥23,000</b>
	B	<b>¥29,000</b>
	A	<b>¥31,000</b>
Leather	C	<b>¥27,000</b>
	B	<b>¥31,000</b>
	A	<b>¥35,000</b>
PU Leather		<b>¥23,000</b>





# Exchange Highback Chair Back Cushion by CRÈME

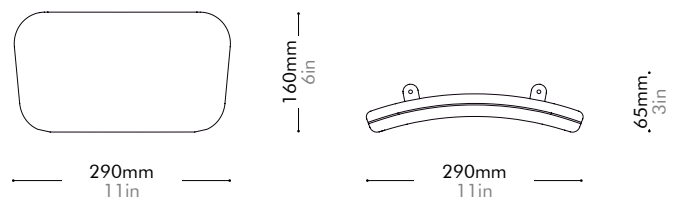


## EX-S200-A3

Materials	Upholstery, steel black powder coat matt
Dimensions	W290 x D65 x H160mm   W11" x D3" x H6"
Weight	0.5kg   2lb
Upholstery	0.3M   4.0SF
Shipping Volume	
Pkg Dimensions	

Lead time: 10-12 weeks

COM/COL		<b>¥23,000</b>
Fabric	C	<b>¥23,000</b>
	B	<b>¥29,000</b>
	A	<b>¥31,000</b>
Leather	C	<b>¥27,000</b>
	B	<b>¥31,000</b>
	A	<b>¥35,000</b>
PU Leather		<b>¥23,000</b>



# Exchange Chair Two Seater Back Cushion by CRÈME

## EX-S220-A1

Materials	Upholstery, steel black powder coat matt
Dimensions	W1125 x D105 x H160mm   W44" x D4" x H6"
Weight	2.2kg   5lb
Upholstery	1.45M   13.5SF
Shipping Volume	
Pkg Dimensions	



Lead time: 10-12 weeks

COM/COL		<b>¥44,000</b>
Fabric	C	<b>¥44,000</b>
	B	<b>¥68,000</b>
	A	<b>¥77,000</b>
Leather	C	<b>¥53,000</b>
	B	<b>¥69,000</b>
	A	<b>¥78,000</b>
PU Leather		<b>¥44,000</b>



160mm  
6in



1125mm  
44in

# Float Sofa 1 Seater - Armless by Michele De Lucchi

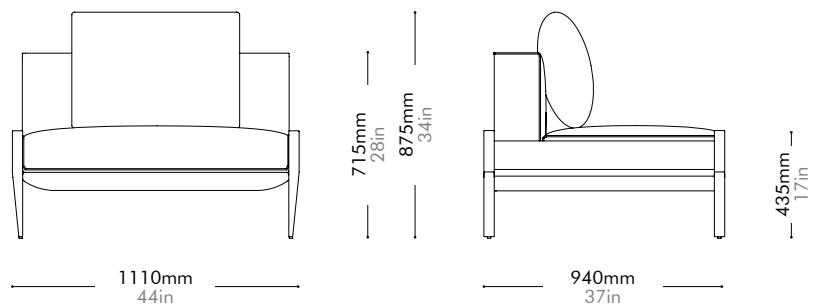


## FL-S411

Materials	Steel dark grey powder coat matt frame, upholstery	
Dimensions	W1110 x D940 x H715(875)mm; SH: 435mm   W44" x D37" x H28(34)"; SH: 17"	
Weight	53.0kg   117lb	
Upholstery	5.0M   127.0SF	
Shipping Volume	0.69CBM	
Pkg Dimensions	FCL	W1195 x D1025 x H560mm; 59.95kg   W47" x D40" x H22"; 132lb
	LCL/AIR	W1235 x D1065 x H650mm; 75.24kg   W49" x D42" x H26"; 166lb

Lead time: 10-12 weeks

COM/COL		<b>¥443,000</b>
Fabric	C	<b>¥443,000</b>
	B	<b>¥562,000</b>
	A	<b>¥604,000</b>
Leather	C	<b>¥636,000</b>
	B	<b>¥799,000</b>
	A	<b>¥952,000</b>
PU Leather		<b>¥443,000</b>



# Float Sofa 1 Seater - 1 Arm

by Michele  
De Lucchi

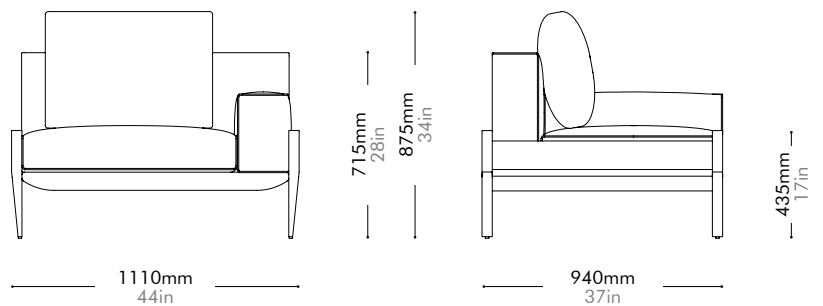


## FL-S412

Materials	Steel dark grey powder coat matt frame, upholstery	
Dimensions	W1110 x D940 x H715(875)mm; SH: 435mm   W44" x D37" x H28(34)"; SH: 17"	
Weight	53.0kg   117lb	
Upholstery	4.5M   115.0SF	
Shipping Volume	0.69CBM	
Pkg Dimensions	FCL	W1195 x D1025 x H560mm; 59.95kg   W47" x D40" x H22"; 132lb
	LCL/AIR	W1235 x D1065 x H650mm; 75.24kg   W49" x D42" x H26"; 166lb

Lead time: 10-12 weeks

COM/COL		<b>¥457,000</b>
Fabric	C	<b>¥457,000</b>
	B	<b>¥565,000</b>
	A	<b>¥603,000</b>
Leather	C	<b>¥633,000</b>
	B	<b>¥781,000</b>
	A	<b>¥920,000</b>
PU Leather		<b>¥457,000</b>



# Float Sofa 1 Seater - 2 Arm by Michele De Lucchi

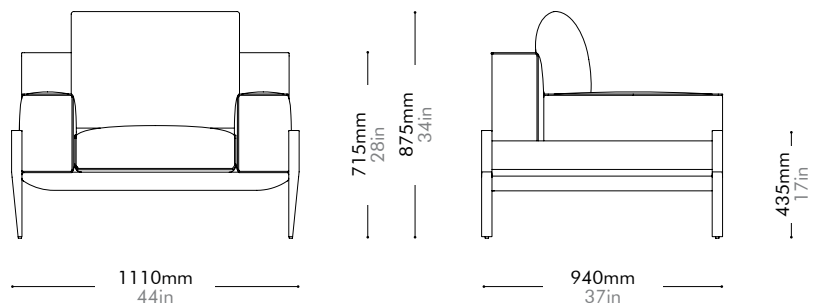


## FL-S413

Materials	Steel dark grey powder coat matt frame, upholstery		
Dimensions	W1110 x D940 x H715(875)mm; SH: 435mm   W44" x D37" x H28(34)"; SH: 17"		
Weight	53.0kg   117lb		
Upholstery	6.0M   140.0SF		
Shipping Volume	0.69CBM		
Pkg Dimensions	FCL	W1195 x D1025 x H560mm; 59.95kg   W47" x D40" x H22"; 132lb	
	LCL/AIR	W1235 x D1065 x H650mm; 75.24kg   W49" x D42" x H26"; 166lb	

Lead time: 10-12 weeks

COM/COL		<b>¥491,000</b>
Fabric	C	<b>¥491,000</b>
	B	<b>¥631,000</b>
	A	<b>¥680,000</b>
Leather	C	<b>¥698,000</b>
	B	<b>¥877,000</b>
	A	<b>¥1,045,000</b>
PU Leather		<b>¥491,000</b>



# Float Sofa 2 Seater - Armless by Michele De Lucchi

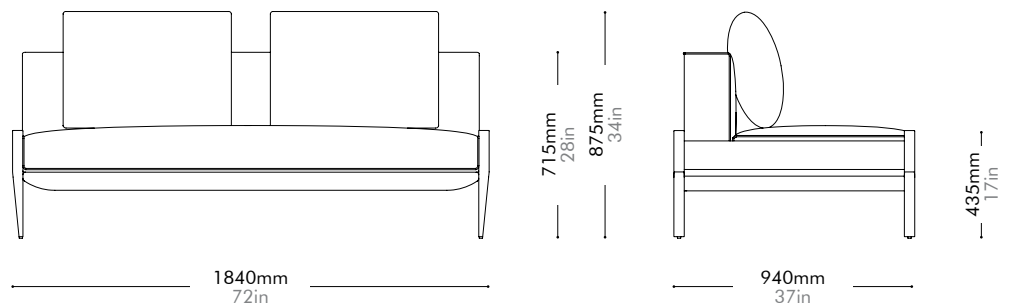


## FL-S421

Materials	Steel dark grey powder coat matt frame, upholstery	
Dimensions	W1840 x D940 x H715(875)mm; SH: 435mm   W72" x D37" x H28(34)"; SH: 17"	
Weight	75.0kg   165lb	
Upholstery	7.5M   175.0SF	
Shipping Volume	1.10CBM	
Pkg Dimensions	FCL	W1925 x D1025 x H560mm; 84.85kg   W76" x D40" x H22"; 187lb
	LCL/AIR	W1965 x D1065 x H650mm; 109.16kg   W77" x D42" x H26"; 241lb

Lead time: 10-12 weeks

COM/COL		<b>¥603,000</b>
Fabric	C	<b>¥603,000</b>
	B	<b>¥788,000</b>
	A	<b>¥852,000</b>
Leather	C	<b>¥866,000</b>
	B	<b>¥1,096,000</b>
	A	<b>¥1,311,000</b>
PU Leather		<b>¥603,000</b>



# Float Sofa 2 Seater - 1 Arm

by Michele  
De Lucchi

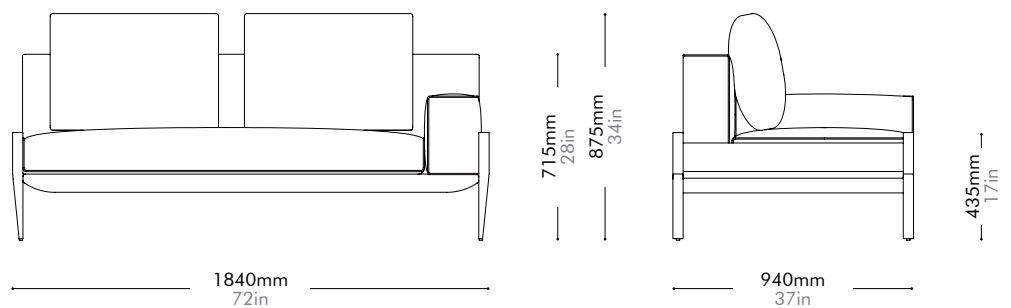
## FL-S422

Materials	Steel dark grey powder coat matt frame, upholstery		
Dimensions	W1840 x D940 x H715(875)mm; SH: 435mm   W72" x D37" x H28(34)"; SH: 17"		
Weight	75.0kg   165lb		
Upholstery	6.8M   160.0SF		
Shipping Volume	1.10CBM		
Pkg Dimensions	FCL	W1925 x D1025 x H560mm; 84.85kg   W76" x D40" x H22"; 187lb	
	LCL/AIR	W1965 x D1065 x H650mm; 109.16kg   W77" x D42" x H26"; 241lb	



Lead time: 10-12 weeks

COM/COL		<b>¥615,000</b>
Fabric	C	<b>¥615,000</b>
	B	<b>¥785,000</b>
	A	<b>¥845,000</b>
Leather	C	<b>¥857,000</b>
	B	<b>¥1,068,000</b>
	A	<b>¥1,266,000</b>
PU Leather		<b>¥615,000</b>



# Float Sofa

## 2 Seater - 2 Arm

by Michele De Lucchi

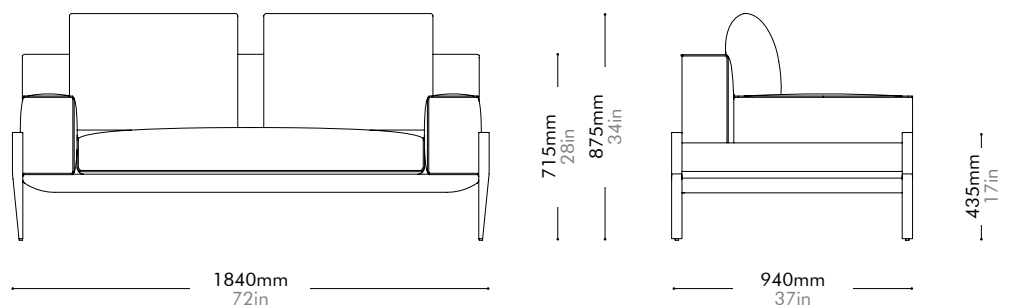


### FL-S423

Materials	Steel dark grey powder coat matt frame, upholstery		
Dimensions	W1840 x D940 x H715(875)mm; SH: 435mm   W72" x D37" x H28(34)"; SH: 17"		
Weight	75.0kg   165lb		
Upholstery	8.0M   190.0SF		
Shipping Volume	1.10CBM		
Pkg Dimensions	FCL	W1925 x D1025 x H560mm; 84.85kg   W76" x D40" x H22"; 187lb	
	LCL/AIR	W1965 x D1065 x H650mm; 109.16kg   W77" x D42" x H26"; 241lb	

Lead time: 10-12 weeks

COM/COL		<b>¥648,000</b>
Fabric	C	<b>¥648,000</b>
	B	<b>¥843,000</b>
	A	<b>¥912,000</b>
Leather	C	<b>¥934,000</b>
	B	<b>¥1,182,000</b>
	A	<b>¥1,414,000</b>
PU Leather		<b>¥648,000</b>





# Float Sofa 3 Seater - Armless by Michele De Lucchi

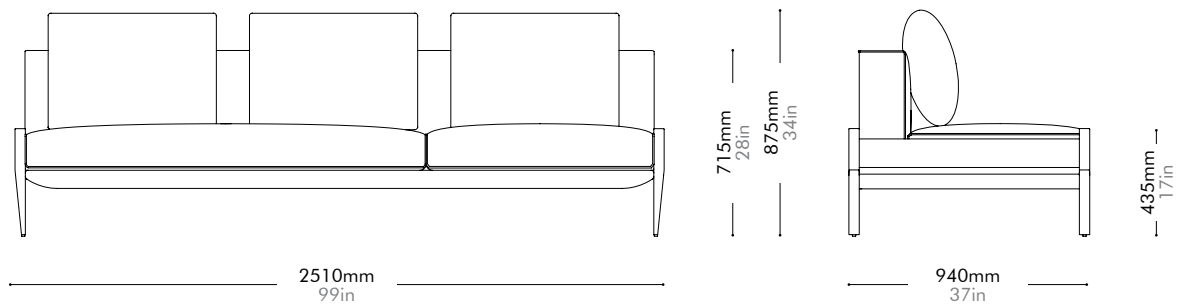
## FL-S431

Materials	Steel dark grey powder coat matt frame, upholstery
Dimensions	W2510 x D940 x H715(875)mm; SH: 435mm   W99" x D37" x H28(34)"; SH: 17"
Weight	95.5kg   211lb
Upholstery	14.0M   268.0SF
Shipping Volume	1.49CBM
Pkg Dimensions	FCL W2595 x D1025 x H560mm; 108.0kg   W102" x D40" x H22"; 238lb LCL/AIR W2635 x D1065 x H650mm; 140.61kg   W104" x D42" x H26"; 310lb



Lead time: 10-12 weeks

COM/COL		<b>¥782,000</b>
Fabric	C	<b>¥782,000</b>
	B	<b>¥1,118,000</b>
	A	<b>¥1,236,000</b>
Leather	C	<b>¥1,161,000</b>
	B	<b>¥1,512,000</b>
	A	<b>¥1,841,000</b>
PU Leather		<b>¥782,000</b>



# Float Sofa 3 Seater - 1 Arm by Michele De Lucchi

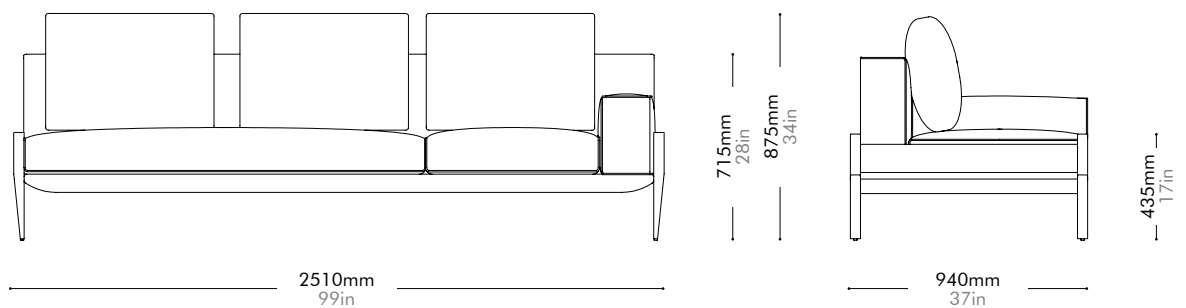
## FL-S432

Materials	Steel dark grey powder coat matt frame, upholstery		
Dimensions	W2510 x D940 x H715(875)mm; SH: 435mm   W99" x D37" x H28(34)"; SH: 17"		
Weight	95.5kg   211lb		
Upholstery	13.0M   240.0SF		
Shipping Volume	1.49CBM		
Pkg Dimensions	FCL	W2595 x D1025 x H560mm; 108.0kg   W102" x D40" x H22"; 238lb	
	LCL/AIR	W2635 x D1065 x H650mm; 140.61kg   W104" x D42" x H26"; 310lb	



Lead time: 10-12 weeks

COM/COL		<b>¥792,000</b>
Fabric	C	<b>¥792,000</b>
	B	<b>¥1,106,000</b>
	A	<b>¥1,216,000</b>
Leather	C	<b>¥1,128,000</b>
	B	<b>¥1,445,000</b>
	A	<b>¥1,741,000</b>
PU Leather		<b>¥792,000</b>



# Float Sofa 3 Seater - 2 Arm by Michele De Lucchi

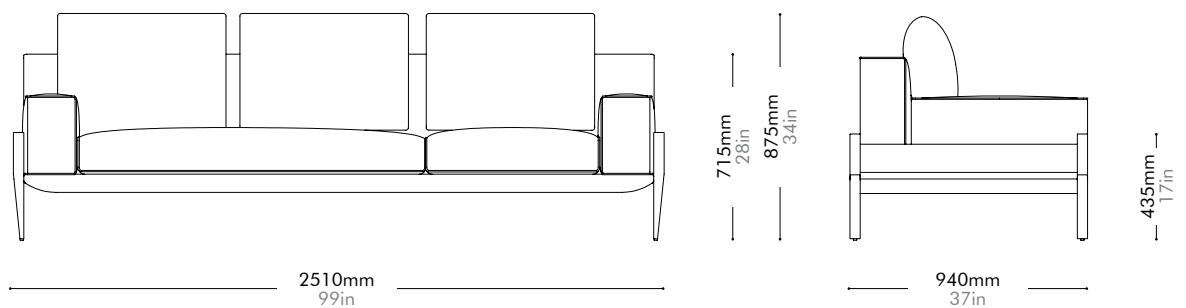
## FL-S433

Materials	Steel dark grey powder coat matt frame, upholstery
Dimensions	W2510 x D940 x H715(875)mm; SH: 435mm   W99" x D37" x H28(34)"; SH: 17"
Weight	95.5kg   211lb
Upholstery	15.5M   280.0SF
Shipping Volume	1.49CBM
Pkg Dimensions	FCL W2595 x D1025 x H560mm; 108.0kg   W102" x D40" x H22"; 238lb LCL/AIR W2635 x D1065 x H650mm; 140.61kg   W104" x D42" x H26"; 310lb



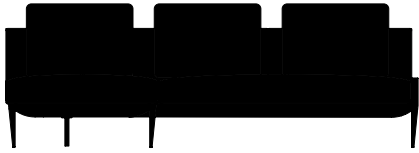
Lead time: 10-12 weeks

COM/COL		<b>¥836,000</b>
Fabric	C	<b>¥836,000</b>
	B	<b>¥1,203,000</b>
	A	<b>¥1,332,000</b>
Leather	C	<b>¥1,222,000</b>
	B	<b>¥1,588,000</b>
	A	<b>¥1,930,000</b>
PU Leather		<b>¥836,000</b>



# Float Sofa L -Shape L

by Michele  
De Lucchi

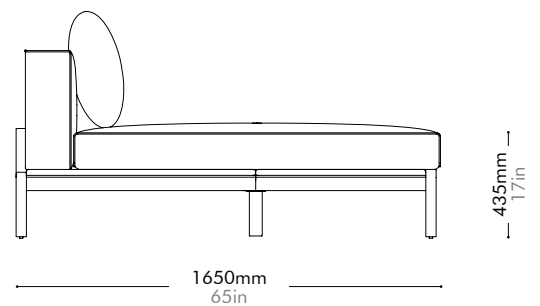
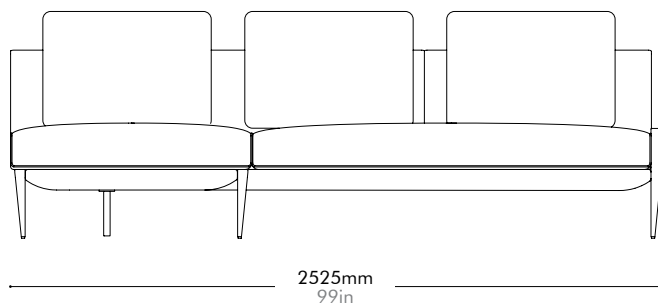


## FL-S441-L

Materials	Steel dark grey powder coat matt frame, upholstery		
Dimensions	W2525 x D1650 x H715(875)mm; SH: 435mm   W99" x D65" x H28(34)"; SH: 17"		
Weight	115.5kg   255lb		
Upholstery	17.0M   320.0SF		
Shipping Volume	1.98CBM		
Pkg Dimensions	FCL	W2610 x D1025 x H740mm; 130.28kg   W103" x D40" x H29"; 287lb	
	LCL/AIR	W2650 x D1065 x H830mm; 163.08kg   W104" x D42" x H33"; 360lb	

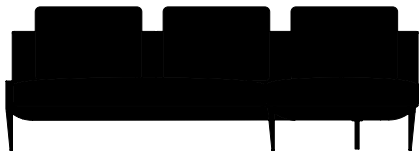
Lead time: 10-12 weeks

COM/COL		<b>¥971,000</b>
Fabric	C	<b>¥971,000</b>
	B	<b>¥1,369,000</b>
	A	<b>¥1,509,000</b>
Leather	C	<b>¥1,417,000</b>
	B	<b>¥1,831,000</b>
	A	<b>¥2,220,000</b>
PU Leather		<b>¥971,000</b>



# Float Sofa L -Shape R

by Michele  
De Lucchi

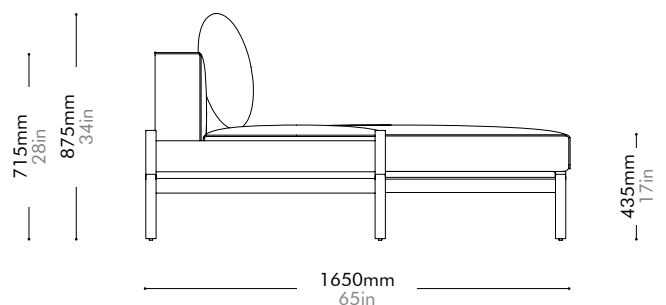
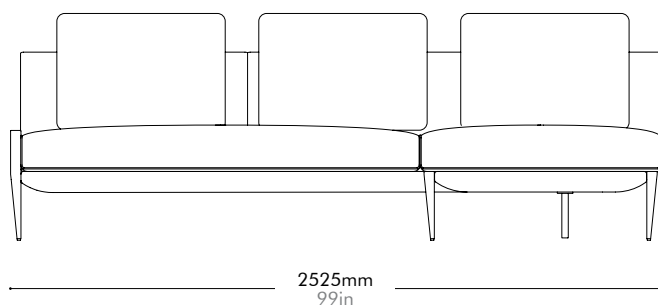


## FL-S441-R

Materials	Steel dark grey powder coat matt frame, upholstery		
Dimensions	W2525 x D1650 x H715(875)mm; SH: 435mm   W99" x D65" x H28(34)"; SH: 17"		
Weight	115.5kg   255lb		
Upholstery	17.0M   320.0SF		
Shipping Volume	1.98CBM		
Pkg Dimensions	FCL	W2610 x D1025 x H740mm; 130.28kg   W103" x D40" x H29"; 287lb	
	LCL/AIR	W2650 x D1065 x H830mm; 163.08kg   W104" x D42" x H33"; 360lb	

Lead time: 10-12 weeks

COM/COL		<b>¥971,000</b>
Fabric	C	<b>¥971,000</b>
	B	<b>¥1,369,000</b>
	A	<b>¥1,509,000</b>
Leather	C	<b>¥1,417,000</b>
	B	<b>¥1,831,000</b>
	A	<b>¥2,220,000</b>
PU Leather		<b>¥971,000</b>



# Float Sofa Side Table Small

by Michele De Lucchi

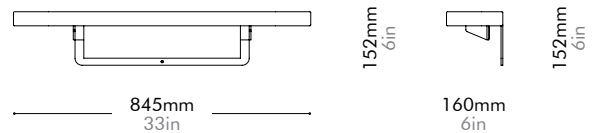


## FL-S400-A1

Materials	Steel dark grey powder coat matt frame, wood veneer top	
Dimensions	W845 x D160 x H152mm   W33" x D6" x H6"	
Weight	3.5kg   8lb	
Upholstery		
Shipping Volume	0.04CBM	
Pkg Dimensions	FCL	W910 x D225 x H215mm; 4.74kg   W36" x D9" x H8"; 10lb
	LCL/AIR	W950 x D265 x H305mm; 7.66kg   W37" x D10" x H12"; 17lb

<b>Oak</b>	Lead time: 10-12 weeks
	<b>¥30,000</b>

<b>Walnut</b>	Lead time: 10-12 weeks
	<b>¥37,000</b>



# Float Sofa Side Table Large

by Michele De Lucchi

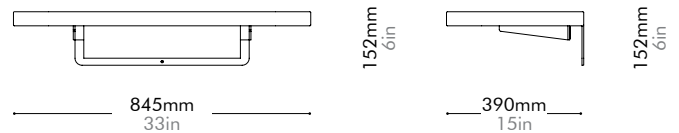


## FL-S400-A2

Materials	Steel dark grey powder coat matt frame, wood veneer top		
Dimensions	W845 x D390 x H152mm   W33" x D15" x H6"		
Weight	8.0kg   18lb		
Upholstery			
Shipping Volume	0.09CBM		
Pkg Dimensions	FCL	W910 x D455 x H215mm; 9.88kg   W36" x D18" x H8"; 22lb	
	LCL/AIR	W950 x D495 x H305mm; 15.35kg   W37" x D19" x H12"; 34lb	

<b>Oak</b>	Lead time: 10-12 weeks
	<b>¥42,000</b>

<b>Walnut</b>	Lead time: 10-12 weeks
	<b>¥45,000</b>



# Float Sofa Headrest Small

by Michele  
De Lucchi

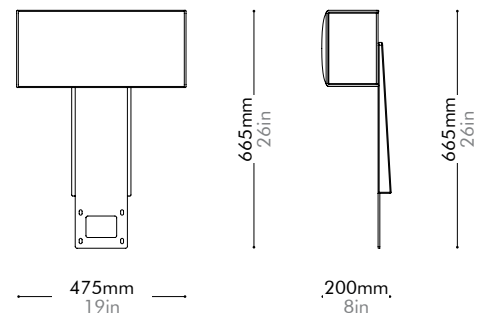


## FL-S400-A3

Materials	Steel dark grey powder coat matt frame, upholstery	
Dimensions	W475 x D200 x H665mm   W19" x D8" x H26"	
Weight	2.5kg   5.5lb	
Upholstery	0.9M   11.OSF	
Shipping Volume	0.10CBM	
Pkg Dimensions	FCL	W730 x D540 x H265mm; 4.50kg   W29" x D21" x H10"; 10lb
	LCL/AIR	W770 x D580 x H355mm; 9.69kg   W30" x D23" x H14"; 22lb

Lead time: 10-12 weeks

COM/COL		<b>¥41,000</b>
Fabric	C	<b>¥41,000</b>
	B	<b>¥60,000</b>
	A	<b>¥67,000</b>
Leather	C	<b>¥53,000</b>
	B	<b>¥66,000</b>
	A	<b>¥79,000</b>
PU Leather		<b>¥41,000</b>





# Float Sofa Headrest Large

by Michele  
De Lucchi

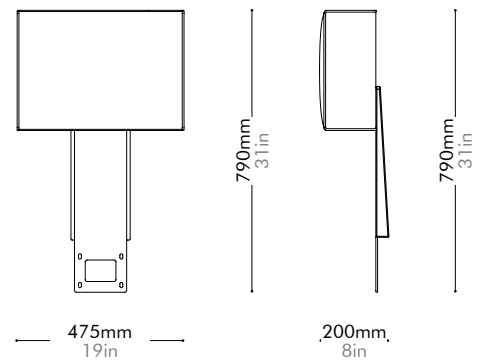


## FL-S400-A4

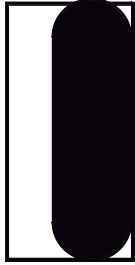
Materials	Steel dark grey powder coat matt frame, upholstery	
Dimensions	W475 x D200 x H790mm   W19" x D8" x H31"	
Weight	3.0kg   7lb	
Upholstery	0.9M   11.OSF	
Shipping Volume	0.12CBM	
Pkg Dimensions	FCL	W855 x D540 x H265mm; 5.25kg   W34" x D21" x H10"; 12lb
	LCL/AIR	W895 x D580 x H355mm; 11.29kg   W35" x D23" x H14"; 25lb

Lead time: 10-12 weeks

COM/COL		<b>¥43,000</b>
Fabric	C	<b>¥43,000</b>
	B	<b>¥62,000</b>
	A	<b>¥68,000</b>
Leather	C	<b>¥60,000</b>
	B	<b>¥77,000</b>
	A	<b>¥93,000</b>
PU Leather		<b>¥43,000</b>



# Frame Floor Mirror by Nendo

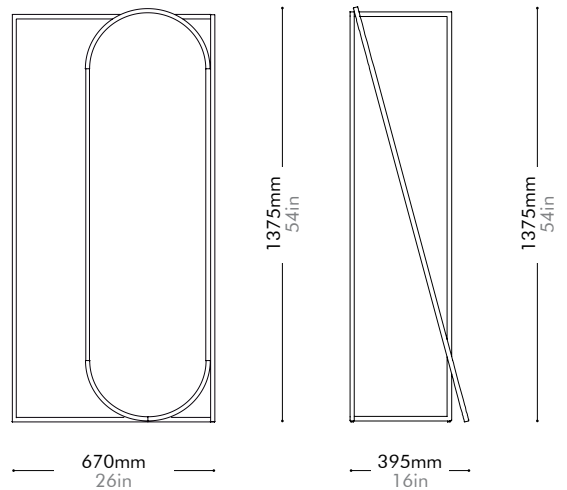


## FR-M110

Materials	Steel black powder coat matt frame, mirror	
Dimensions	W670 x D395 x H1375mm   W26" x D16" x H54"	
Weight	20.7kg   46lb	
Upholstery		
Shipping Volume	0.69CBM	
Pkg Dimensions	FCL/LCL/AIR	W1470 x D530 x H885mm; 49.52kg   W58" x D21" x H35"; 109lb

Lead time: 10-12 weeks

**¥125,000**



# Frame Wall Mirror Small by Nendo

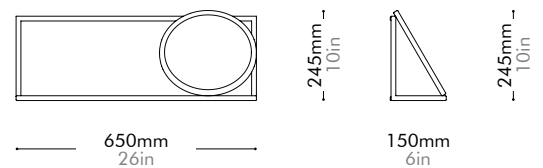


## FR-M120-S

Materials	Steel black powder coat matt frame, mirror	
Dimensions	W650 x D150 x H245mm   W26" x D6" x H10"	
Weight	2.4kg   5lb	
Upholstery		
Shipping Volume	0.11CBM	
Pkg Dimensions	FCL/LCL/AIR	W795 x 295 x H465mm; 10.59kg   W30" x D10" x H14"; 23lb

Lead time: 10-12 weeks

**¥63,000**



# Frame Wall Mirror Small With Board by Nendo

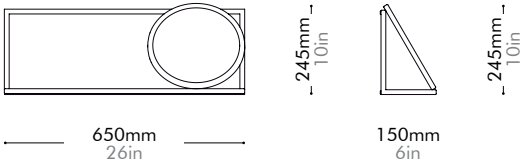


**FR-M121-S**

Materials	Steel black powder coat matt frame, mirror, black oak veneer waterproof board	
Dimensions	W650 x D150 x H245mm   W26" x D6" x H10"	
Weight	3.2kg   7lb	
Upholstery		
Shipping Volume	0.11CBM	
Pkg Dimensions	FCL/LCL/AIR	W795 x 295 x H465mm; 11.39kg   W30" x D10" x H35"; 25lb

**Black Oak**      Lead time: 10-12 weeks

**¥81,000**



# Frame Wall Mirror Large by Nendo

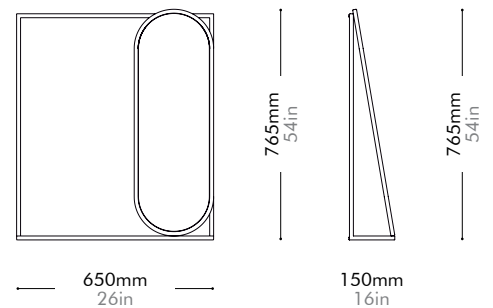


## FR-M121-L

Materials	Steel black powder coat matt frame, mirror, black oak veneer waterproof board	
Dimensions	W650 x D150 x H765mm   W26" x D16" x H54"	
Weight	7.0kg   46lb	
Upholstery		
Shipping Volume	0.23CBM	
Pkg Dimensions	FCL/LCL/AIR	W795 x D295 x H985mm; 21.63kg   W30" x D10" x H35"; 48lb

**Black Oak**      Lead time: 10-12 weeks

**¥107,000**



# Frame Shelf by Nendo

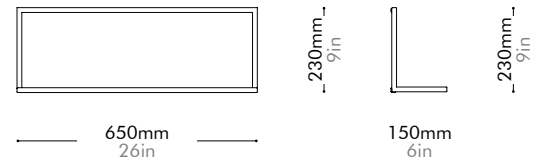


## FR-SF110

Materials	Steel black powder coat matt frame
Dimensions	W650 x D150 x H230mm   W26" x D6" x H9"
Weight	0.8kg   2lb
Upholstery	
Shipping Volume	0.07CBM
Pkg Dimensions	FCL W765 x D265 x H360mm; 2.56kg   W30" x D10" x H14"; 6lb LCL/AIR W805 x D305 x H450mm; 5.41kg   W32" x D12" x H18"; 12lb

Lead time: 10-12 weeks

**¥19,000**



# Frame Shelf With Board by Nendo



## FR-SF111

Materials Steel black powder coat matt frame, black oak veneer waterproof board

Dimensions W650 x D150 x H230mm | W26" x D6" x H9"

Weight 1.6kg | 7lb

Upholstery

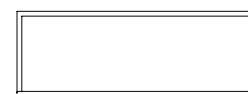
Shipping Volume 0.07CBM

Pkg Dimensions FCL W765 x D265 x H360mm; 3.36kg | W30" x D10" x H14"; 7lb

LCL/AIR W805 x D305 x H450mm; 6.21kg | W32" x D12" x H18"; 14lb

**Black Oak** Lead time: 10-12 weeks

**¥37,000**



650mm  
26in



150mm  
6in



230mm  
9in

# Freja Bench Leather Stripe Seat by Space Copenhagen

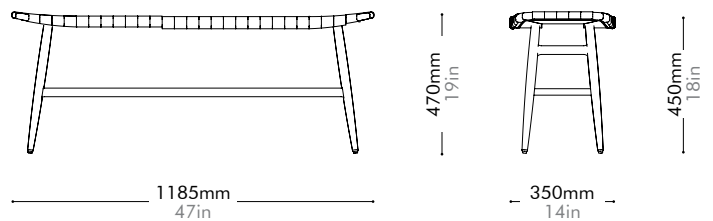


## FE-S620-LS

Materials	Solid wood frame, leather stripe seat		
Dimensions	W1185 x D350 x H470mm; SH: 450mm   W47" x D14" x H19"; SH: 18"		
Weight	7.8kg   17lb		
Upholstery	19.OSF		
Shipping Volume	0.29CBM		
Pkg Dimensions	FCL	W1250 x D415 x H555mm; 12.18kg   W49" x D16" x H22"; 27lb	
	LCL/AIR	W1290 x D455 x H645mm; 19.00kg   W51" x D18" x H25"; 42lb	

<b>Oak</b>	Lead time: 10-12 weeks
Saddle Leather	<b>¥267,000</b>

<b>Walnut</b>	Lead time: 10-12 weeks
Saddle Leather	<b>¥318,000</b>





# Freja Bench Leather Seat by Space Copenhagen



## FE-S620-LE

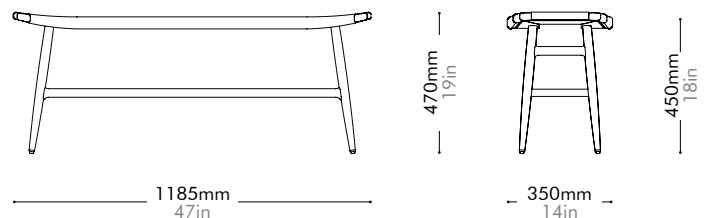
Materials	Solid wood frame, leather seat		
Dimensions	W1185 x D350 x H470mm; SH: 450mm   W47" x D14" x H19"; SH: 18"		
Weight	7.8kg   17lb		
Upholstery	14.0SF		
Shipping Volume	0.29CBM		
Pkg Dimensions	FCL	W1250 x D415 x H555mm; 12.18kg   W49" x D16" x H22"; 27lb	
	LCL/AIR	W1290 x D455 x H645mm; 19.00kg   W51" x D18" x H25"; 42lb	

**Oak** Lead time: 10-12 weeks

Saddle Leather **¥261,000**

**Walnut** Lead time: 10-12 weeks

Saddle Leather **¥284,000**



# Freja Bench Paper Cord Seat by Space Copenhagen

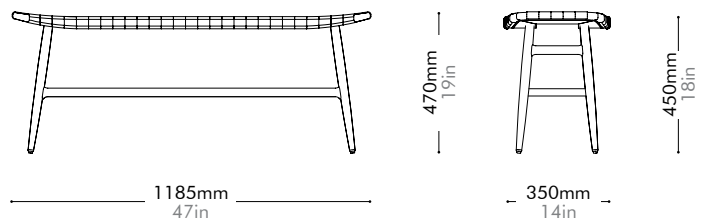


## FE-S620-PC

Materials	Solid wood frame, paper cord seat		
Dimensions	W1185 x D350 x H470mm; SH: 450mm   W47" x D14" x H19"; SH: 18"		
Weight	7.8kg   17lb		
Upholstery			
Shipping Volume	0.29CBM		
Pkg Dimensions	FCL	W1250 x D415 x H555mm; 12.18kg   W49" x D16" x H22"; 27lb	
	LCL/AIR	W1290 x D455 x H645mm; 19.00kg   W51" x D18" x H25"; 42lb	

**Oak**      Lead time: 10-12 weeks  
**¥261,000**

**Walnut**      Lead time: 10-12 weeks  
**¥287,000**



# Freja Stool SH450 Leather Seat by Space Copenhagen

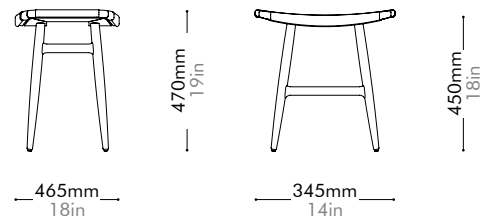


## FE-S610-LE

Materials	Solid wood frame, leather seat		
Dimensions	W465 x D345 x H470mm; SH: 450mm   W18" x D14" x H19"; SH: 18"		
Weight	3.0kg   7lb		
Upholstery	5.0SF		
Shipping Volume	0.12CBM		
Pkg Dimensions	FCL	W530 x D410 x H555mm; 5.62kg   W21" x D16" x H22"; 12lb	
	LCL/AIR	W570 x D450 x H645mm; 8.60kg   W22" x D18" x H25"; 19lb	

<b>Oak</b>	Lead time: 10-12 weeks
Saddle Leather	<b>¥134,000</b>

<b>Walnut</b>	Lead time: 10-12 weeks
Saddle Leather	<b>¥161,000</b>



# Freja Stool SH450 Leather Stripe Seat by Space Copenhagen

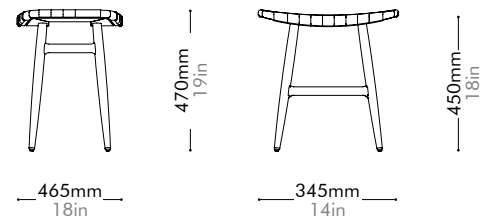


## FE-S610-LS

Materials	Solid wood frame, leather stripe seat		
Dimensions	W465 x D345 x H470mm; SH: 450mm   W18" x D14" x H19"; SH: 18"		
Weight	3.0kg   7lb		
Upholstery	7.OSF		
Shipping Volume	0.12CBM		
Pkg Dimensions	FCL	W530 x D410 x H555mm; 5.62kg   W21" x D16" x H22"; 12lb	
	LCL/AIR	W570 x D450 x H645mm; 8.60kg   W22" x D18" x H25"; 19lb	

<b>Oak</b>	Lead time: 10-12 weeks
Saddle Leather	<b>¥137,000</b>

<b>Walnut</b>	Lead time: 10-12 weeks
Saddle Leather	<b>¥167,000</b>



# Freja Stool SH450 Paper Cord Seat by Space Copenhagen

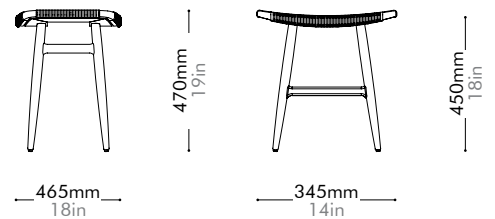


## FE-S610-PC

Materials	Solid wood frame, paper cord seat		
Dimensions	W465 x D345 x H470mm; SH: 450mm   W18" x D14" x H19"; SH: 18"		
Weight	3.0kg   7lb		
Upholstery			
Shipping Volume	0.12CBM		
Pkg Dimensions	FCL	W530 x D410 x H555mm; 5.62kg   W21" x D16" x H22"; 12lb	
	LCL/AIR	W570 x D450 x H645mm; 8.60kg   W22" x D18" x H25"; 19lb	

**Oak**      Lead time: 10-12 weeks  
**¥120,000**

**Walnut**      Lead time: 10-12 weeks  
**¥148,000**



# Freja Bar Stool SH610 Leather Seat by Space Copenhagen

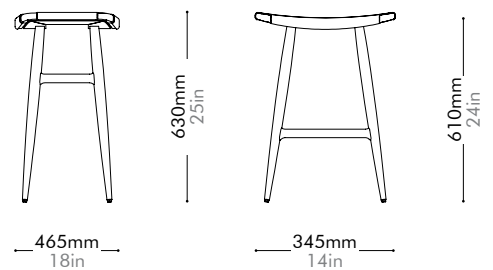


## FE-S310-LE

Materials	Solid wood frame, leather seat		
Dimensions	W465 x D345 x H630mm; SH: 610mm   W18" x D14" x H25"; SH:24"		
Weight	3.3kg   7lb		
Upholstery	5.0SF		
Shipping Volume	0.16CBM		
Pkg Dimensions	FCL	W530 x D410 x H715mm; 6.80kg   W21" x D16" x H28"; 15lb	
	LCL/AIR	W570 x D450 x H805mm; 9.78kg   W22" x D18" x H32"; 22lb	

<b>Oak</b>	Lead time: 10-12 weeks
Saddle Leather	<b>¥136,000</b>

<b>Walnut</b>	Lead time: 10-12 weeks
Saddle Leather	<b>¥162,000</b>



# Freja Bar Stool SH610 Leather Stripe Seat by Space Copenhagen

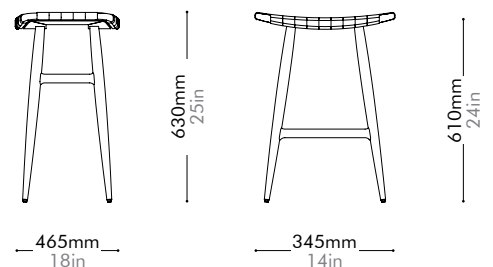


## FE-S310-LS

Materials	Solid wood frame, leather stripe seat		
Dimensions	W465 x D345 x H630mm; SH: 610mm   W18" x D14" x H25"; SH:24"		
Weight	3.3kg   7lb		
Upholstery	7.0SF		
Shipping Volume	0.16CBM		
Pkg Dimensions	FCL	W530 x D410 x H715mm; 6.80kg   W21" x D16" x H28"; 15lb	
	LCL/AIR	W570 x D450 x H805mm; 9.78kg   W22" x D18" x H32"; 22lb	

<b>Oak</b>	Lead time: 10-12 weeks
Saddle Leather	<b>¥138,000</b>

<b>Walnut</b>	Lead time: 10-12 weeks
Saddle Leather	<b>¥169,000</b>



# Freja Bar Stool SH610 Paper Cord Seat by Space Copenhagen

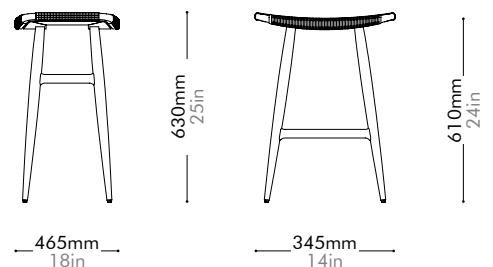


## FE-S310-PC

Materials	Solid wood frame, paper cord seat		
Dimensions	W465 x D345 x H630mm; SH: 610mm   W18" x D14" x H25"; SH:24"		
Weight	3.3kg   7lb		
Upholstery			
Shipping Volume	0.16CBM		
Pkg Dimensions	FCL	W530 x D410 x H715mm; 6.80kg   W21" x D16" x H28"; 15lb	
	LCL/AIR	W570 x D450 x H805mm; 9.78kg   W22" x D18" x H32"; 22lb	

**Oak**      Lead time: 10-12 weeks  
**¥122,000**

**Walnut**      Lead time: 10-12 weeks  
**¥149,000**





# Freja Bar Stool SH750 Leather Seat by Space Copenhagen

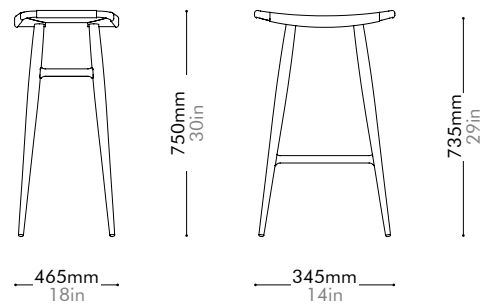


## FE-S320-LE

Materials	Solid wood frame, leather seat		
Dimensions	W465 x D345 x H750mm; SH: 735mm   W18" x D14" x H30"; SH: 29"		
Weight	3.6kg   8lb		
Upholstery	5.0SF		
Shipping Volume	0.18CBM		
Pkg Dimensions	FCL	W530 x D410 x H835mm; 7.85kg   W21" x D16" x H33"; 17lb	
	LCL/AIR	W570 x D450 x H925mm; 10.83kg   W22" x D18" x H36"; 24lb	

<b>Oak</b>	Lead time: 10-12 weeks
Saddle Leather	<b>¥143,000</b>

<b>Walnut</b>	Lead time: 10-12 weeks
Saddle Leather	<b>¥170,000</b>



# Freja Bar Stool SH750 Leather Stripe Seat by Space Copenhagen

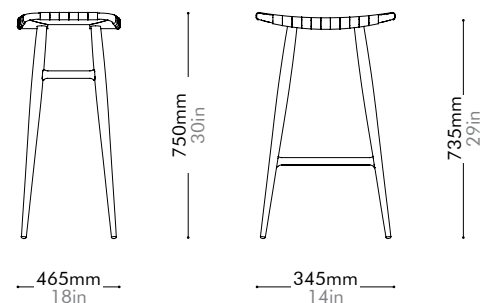


## FE-S320-LS

Materials	Solid wood frame, leather stripe seat		
Dimensions	W465 x D345 x H750mm; SH: 735mm   W18" x D14" x H30"; SH: 29"		
Weight	3.6kg   8lb		
Upholstery	7.0SF		
Shipping Volume	0.18CBM		
Pkg Dimensions	FCL	W530 x D410 x H835mm; 7.85kg   W21" x D16" x H33"; 17lb	
	LCL/AIR	W570 x D450 x H925mm; 10.83kg   W22" x D18" x H36"; 24lb	

<b>Oak</b>	Lead time: 10-12 weeks
Saddle Leather	<b>¥144,000</b>

<b>Walnut</b>	Lead time: 10-12 weeks
Saddle Leather	<b>¥170,000</b>



# Freja Bar Stool

## SH750 Paper Cord Seat

by Space Copenhagen



### FE-S320-PC

Materials	Solid wood frame, paper cord seat		
Dimensions	W465 x D345 x H750mm; SH: 735mm   W18" x D14" x H30"; SH: 29"		
Weight	3.6kg   8lb		
Upholstery			
Shipping Volume	0.18CBM		
Pkg Dimensions	FCL	W530 x D410 x H835mm; 7.85kg   W21" x D16" x H33"; 17lb	
	LCL/AIR	W570 x D450 x H925mm; 10.83kg   W22" x D18" x H36"; 24lb	

**Oak**      Lead time: 10-12 weeks

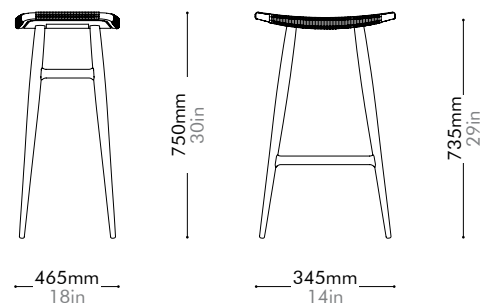
---

**¥126,000**

**Walnut**      Lead time: 10-12 weeks

---

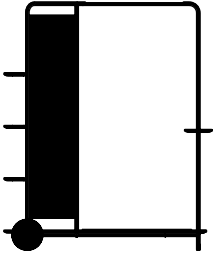
**¥155,000**



# Host Movable Wardrobe by Sebastian Herkner

## HO-W110

Materials	Wood veneer base, solid wood, steel black powder coat matt frame, mirror	
Dimensions	W1510 x D655 x H1800mm   W59" x D26" x H71"	
Weight	48.0kg   106lb	
Upholstery		
Shipping Volume	0.51CBM	
Pkg Dimensions	FCL/LCL/AIR	W1765 x D730 x H395mm; 73.62kg   W69" x D29" x H16"; 162lb



**Oak**      Lead time: 10-12 weeks  

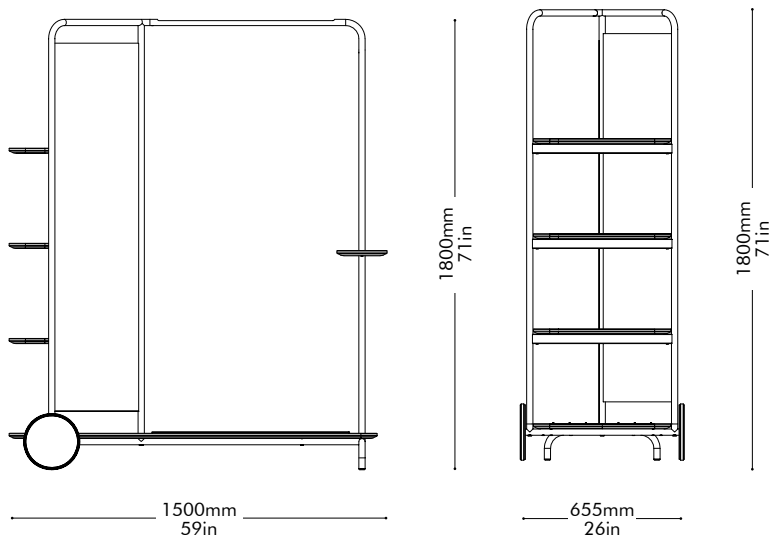

---

**¥355,000**

**Walnut**      Lead time: 10-12 weeks  


---

**¥365,000**



# Industry Dining Chair by Neri&Hu

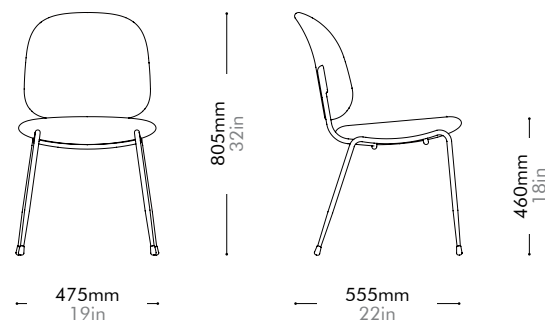


## IN-S210

Materials	Steel black powder coat matt, polypropylene seat and back, upholstery		
Dimensions	W475 x D555 x H805mm; SH: 460mm   W19" x D22" x H32"; SH: 18"		
Weight	5.5kg   12lb		
Upholstery	1.1M   24.0SF		
Shipping Volume	0.30CBM		
Pkg Dimensions	FCL	W600 x D600 x H830mm; 10.61kg   W24" x D24" x H33"; 23lb	
	LCL/AIR	W620 x D620 x H925mm; 15.08kg   W24" x D24" x H36"; 33lb	

Lead time: 10-12 weeks

COM/COL		<b>¥94,000</b>
Fabric	C	<b>¥94,000</b>
	B	<b>¥113,000</b>
	A	<b>¥119,000</b>
Leather	C	<b>¥122,000</b>
	B	<b>¥146,000</b>
	A	<b>¥168,000</b>
PU Leather		<b>¥94,000</b>



# Industry Dining Armchair by Neri&Hu

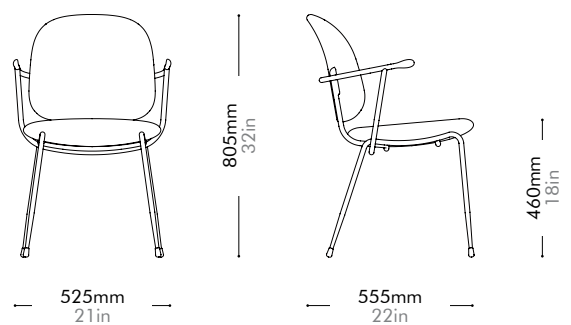


## IN-S211

Materials	Steel black powder coat matt, polypropylene seat and back, upholstery	
Dimensions	W525 x D555 x H805mm; SH: 460mm   W21" x D22" x H32"; SH: 15"	
Weight	7.0kg   15lb	
Upholstery	1.1M   24.0SF	
Shipping Volume	0.30CBM	
Pkg Dimensions	FCL	W600 x D600 x H830mm; 12.11kg   W24" x D24" x H33"; 27lb
	LCL/AIR	W620 x D620 x H925mm; 16.58kg   W24" x D24" x H36"; 37lb

Lead time: 10-12 weeks

COM/COL		<b>¥100,000</b>
Fabric	C	<b>¥100,000</b>
	B	<b>¥119,000</b>
	A	<b>¥126,000</b>
Leather	C	<b>¥128,000</b>
	B	<b>¥152,000</b>
	A	<b>¥174,000</b>
PU Leather		<b>¥100,000</b>



# Industry Lounge Chair by Neri&Hu

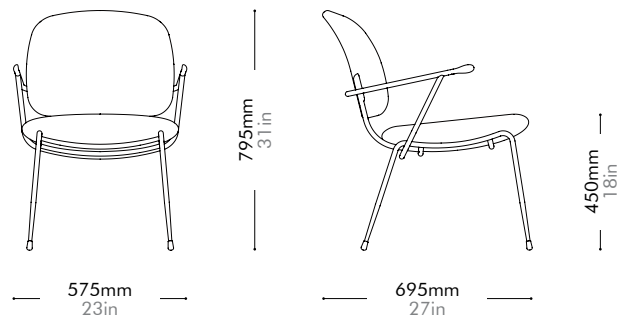


## IN-S111

Materials	Steel black powder coat matt, polypropylene seat and back, upholstery		
Dimensions	W575 x D695 x H795mm; SH: 450mm   W23" x D27" x H31"; SH: 18"		
Weight	8.0kg   18lb		
Upholstery	1.3M   27.0SF		
Shipping Volume	0.43CBM		
Pkg Dimensions	FCL	W640 x D760 x H880mm; 14.23kg   W25" x D30" x H35"; 31lb	
	LCL/AIR	W660 x D780 x H975mm; 20.21kg   W26" x D31" x H38"; 45lb	

Lead time: 10-12 weeks

COM/COL		<b>¥108,000</b>
Fabric	C	<b>¥108,000</b>
	B	<b>¥131,000</b>
	A	<b>¥140,000</b>
Leather	C	<b>¥140,000</b>
	B	<b>¥168,000</b>
	A	<b>¥194,000</b>
PU Leather		<b>¥108,000</b>



# Industry Bar Chair SH610 by Neri&Hu

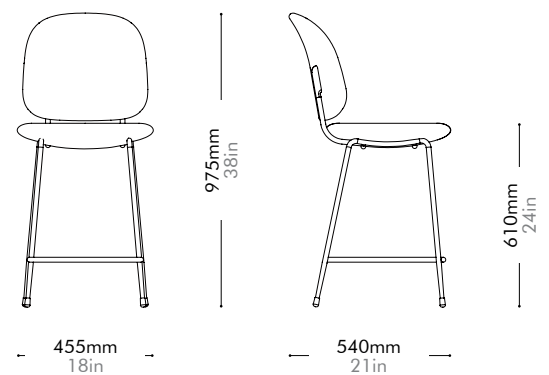


## IN-S310-610

Materials	Steel black powder coat matt, polypropylene seat and back, upholstery		
Dimensions	W455 x D540 x H975mm; SH: 610mm   W18" x D21" x H38"; SH: 24"		
Weight	7.2kg   16lb		
Upholstery	1.1M   24.OSF		
Shipping Volume	0.36CBM		
Pkg Dimensions	FCL	W600 x D600x H1000mm; 13.60kg   W24" x D24" x H39"; 30lb	
	LCL/AIR	W620 x D620 x H1095mm; 18.07kg   W24" x D24" x H43"; 40lb	

Lead time: 10-12 weeks

COM/COL		<b>¥110,000</b>
Fabric	C	<b>¥110,000</b>
	B	<b>¥131,000</b>
	A	<b>¥138,000</b>
Leather	C	<b>¥140,000</b>
	B	<b>¥166,000</b>
	A	<b>¥190,000</b>
PU Leather		<b>¥110,000</b>





# Industry Bar Chair SH750

by Neri&Hu

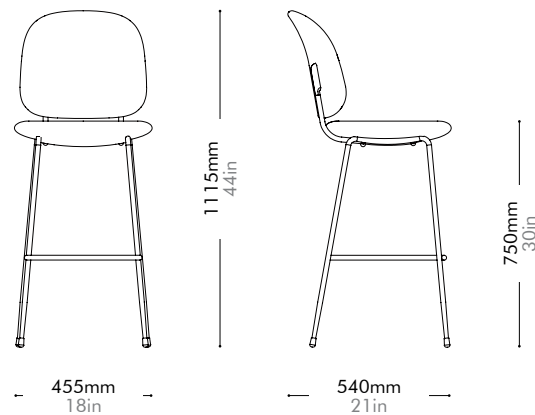


## IN-S310-750

Materials	Steel black powder coat matt, polypropylene seat and back, upholstery		
Dimensions	W455 x D540 x H1115mm; SH: 750mm   W18" x D21" x H44"; SH: 30"		
Weight	8.0kg   18lb		
Upholstery	1.1M   24.OSF		
Shipping Volume	0.41CBM		
Pkg Dimensions	FCL	W600 x D600 x H1140mm; 15.57kg   W24" x D24" x H45"; 34lb	
	LCL/AIR	W620 x D620 x H1235mm; 20.04kg   W24" x D24" x H49"; 44lb	

Lead time: 10-12 weeks

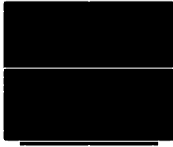
COM/COL		<b>¥113,000</b>
Fabric	C	<b>¥113,000</b>
	B	<b>¥134,000</b>
	A	<b>¥141,000</b>
Leather	C	<b>¥143,000</b>
	B	<b>¥169,000</b>
	A	<b>¥193,000</b>
PU Leather		<b>¥113,000</b>



# Infinity Straight

## by Space

### Copenhagen

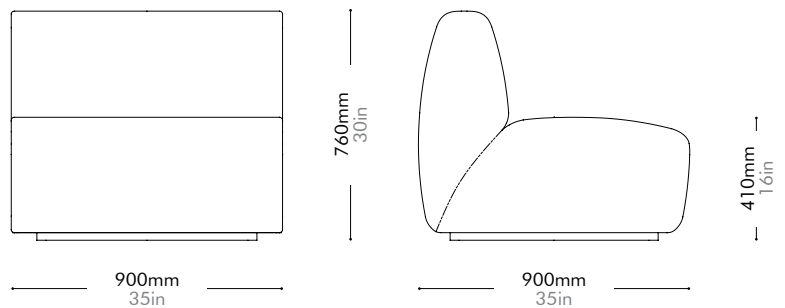


#### IF-S410

Materials	Solid wood and plywood frame, upholstery	
Dimensions	W900 x D900 x H760mm; SH: 410mm   W35" x D35" x H30"; SH: 16"	
Weight	35.5kg   78lb	
Upholstery	4.2M   66.0SF	
Shipping Volume	0.79CBM	
Pkg Dimensions	FCL	W965 x D965 x H845mm; 43.69kg   W38" x D38" x H30"; 96lb
	LCL/AIR	W985 x D985 x H940mm; 54.96kg   W39" x D39" x H37"; 121lb

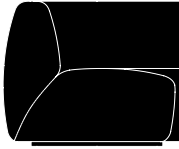
Lead time: 10-12 weeks

COM/COL		<b>¥265,000</b>
Fabric	C	<b>¥265,000</b>
	B	<b>¥357,000</b>
	A	<b>¥377,000</b>
Leather	C	<b>¥357,000</b>
	B	<b>¥411,000</b>
	A	<b>¥462,000</b>
PU Leather		<b>¥265,000</b>



# Infinity Corner

by Space  
Copenhagen

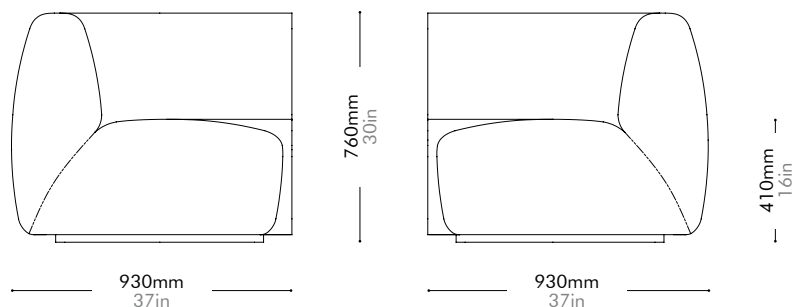


## IF-S420

Materials	Solid wood and plywood frame, upholstery	
Dimensions	W930 x D930 x H760mm; SH: 410mm   W37" x D37" x H30"; SH: 16"	
Weight	37.0kg   82lb	
Upholstery	4.4M   68.0SF	
Shipping Volume	0.84CBM	
Pkg Dimensions	FCL	W995 x D995 x H845mm; 45.46kg   W39" x D39" x H33"; 100lb
	LCL/AIR	W1015 x D1015 x H940mm; 57.44kg   W40" x D40" x H37"; 127lb

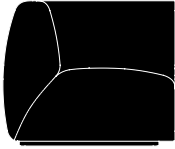
Lead time: 10-12 weeks

COM/COL		<b>¥317,000</b>
Fabric	C	<b>¥317,000</b>
	B	<b>¥381,000</b>
	A	<b>¥403,000</b>
Leather	C	<b>¥379,000</b>
	B	<b>¥439,000</b>
	A	<b>¥495,000</b>
PU Leather		<b>¥317,000</b>



# Infinity End L

by Space  
Copenhagen

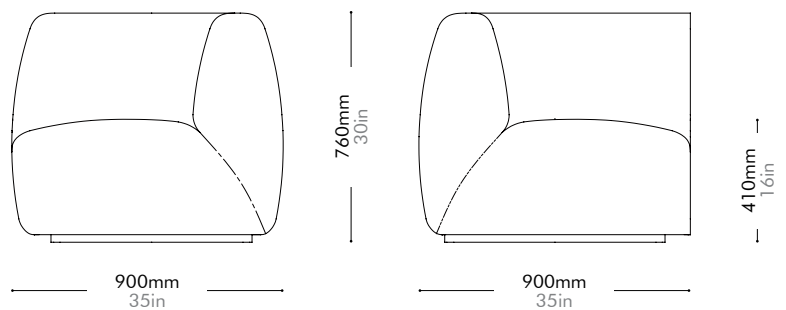


## IF-S440-L

Materials	Solid wood and plywood frame, upholstery	
Dimensions	W900 x D900 x H760mm; SH: 410mm   W35" x D35" x H30"; SH: 16"	
Weight	37.0kg   82lb	
Upholstery	4.1M   66.0SF	
Shipping Volume	0.79CBM	
Pkg Dimensions	FCL	W965 x D965 x H845mm; 45.19kg   W38" x D38" x H33"; 100lb
	LCL/AIR	W985 x D985 x H940mm; 56.46kg   W39" x D39" x H37"; 125lb

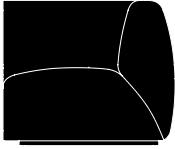
Lead time: 10-12 weeks

COM/COL		<b>¥311,000</b>
Fabric	C	<b>¥311,000</b>
	B	<b>¥373,000</b>
	A	<b>¥395,000</b>
Leather	C	<b>¥371,000</b>
	B	<b>¥429,000</b>
	A	<b>¥483,000</b>
PU Leather		<b>¥311,000</b>



# Infinity End R

by Space  
Copenhagen

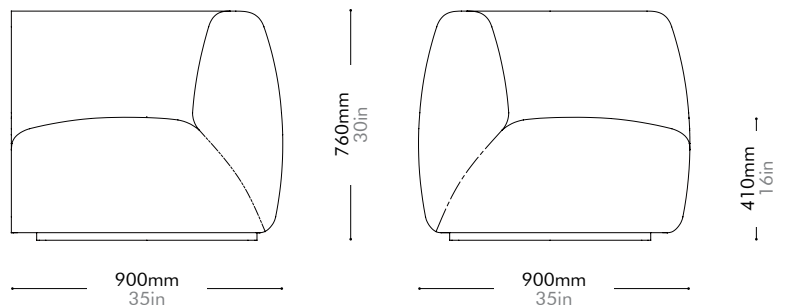


## IF-S440-R

Materials	Solid wood and plywood frame, upholstery	
Dimensions	W900 x D900 x H760mm; SH: 410mm   W35" x D35" x H30"; SH: 16"	
Weight	37.0kg   82lb	
Upholstery	4.1M   66.0SF	
Shipping Volume	0.79CBM	
Pkg Dimensions	FCL	W965 x D965 x H845mm; 45.19kg   W38" x D38" x H33"; 100lb
	LCL/AIR	W985 x D985 x H940mm; 56.46kg   W39" x D39" x H37"; 125lb

Lead time: 10-12 weeks

COM/COL		<b>¥311,000</b>
Fabric	C	<b>¥311,000</b>
	B	<b>¥373,000</b>
	A	<b>¥395,000</b>
Leather	C	<b>¥371,000</b>
	B	<b>¥429,000</b>
	A	<b>¥483,000</b>
PU Leather		<b>¥311,000</b>



# Infinity Arm L

by Space  
Copenhagen

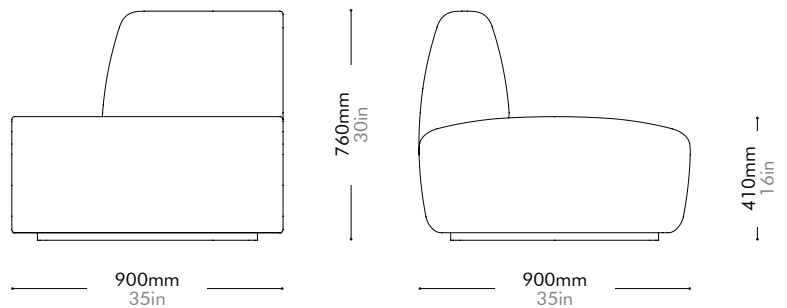


## IF-S450-L

Materials	Solid wood and plywood frame, upholstery	
Dimensions	W900 x D900 x H760mm; SH: 410mm   W35" x D35" x H30"; SH: 16"	
Weight	35.0kg   77lb	
Upholstery	3.9M   64.0SF	
Shipping Volume	0.79CBM	
Pkg Dimensions	FCL	W965 x D965 x H845mm; 43.19kg   W38" x D38" x H33"; 95lb
	LCL/AIR	W985 x D985 x H940mm; 54.46kg   W39" x D39" x H37"; 120lb

Lead time: 10-12 weeks

COM/COL		<b>¥298,000</b>
Fabric	C	<b>¥298,000</b>
	B	<b>¥374,000</b>
	A	<b>¥395,000</b>
Leather	C	<b>¥374,000</b>
	B	<b>¥430,000</b>
	A	<b>¥483,000</b>
PU Leather		<b>¥298,000</b>



# Infinity Arm R

by Space  
Copenhagen

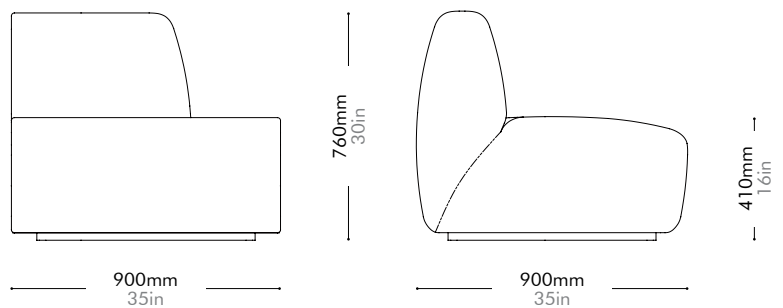


## IF-S450-R

Materials	Solid wood and plywood frame, upholstery	
Dimensions	W900 x D900 x H760mm; SH: 410mm   W35" x D35" x H30"; SH: 16"	
Weight	35.0kg   77lb	
Upholstery	3.9M   64.0SF	
Shipping Volume	0.79CBM	
Pkg Dimensions	FCL	W965 x D965 x H845mm; 43.19kg   W38" x D38" x H33"; 95lb
	LCL/AIR	W985 x D985 x H940mm; 54.46kg   W39" x D39" x H37"; 120lb

Lead time: 10-12 weeks

COM/COL		<b>¥298,000</b>
Fabric	C	<b>¥298,000</b>
	B	<b>¥374,000</b>
	A	<b>¥395,000</b>
Leather	C	<b>¥374,000</b>
	B	<b>¥430,000</b>
	A	<b>¥483,000</b>
PU Leather		<b>¥298,000</b>



# Infinity Backless by Space Copenhagen

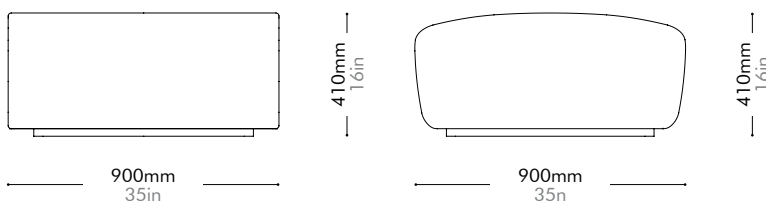


## IF-S430

Materials	Solid wood and plywood frame, upholstery	
Dimensions	W900 x D900 x H410mm; SH: 410mm   W35" x D35" x H16"; SH: 16"	
Weight	26.0kg   57lb	
Upholstery	3.9M   40.2SF	
Shipping Volume	0.46CBM	
Pkg Dimensions	FCL	W965 x D965 x H495mm; 31.33kg   W38" x D38" x H19"; 69lb
	LCL/AIR	W985 x D985 x H590mm; 42.60kg   W39" x D39" x H23"; 94lb

Lead time: 10-12 weeks

COM/COL		<b>¥230,000</b>
Fabric	C	<b>¥230,000</b>
	B	<b>¥276,000</b>
	A	<b>¥293,000</b>
Leather	C	<b>¥264,000</b>
	B	<b>¥301,000</b>
	A	<b>¥335,000</b>
PU Leather		<b>¥230,000</b>





# Infinity Ottoman by Space Copenhagen

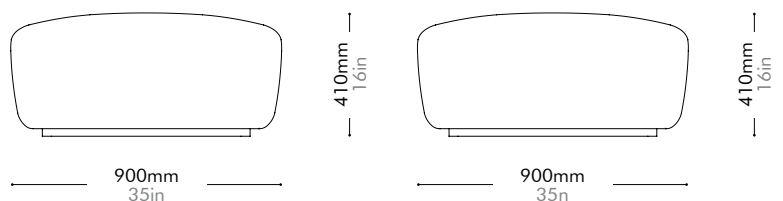


## IF-S510

Materials	Solid wood and plywood frame, upholstery	
Dimensions	W900 x D900 x H410mm; SH: 410mm   W35" x D35" x H16"; SH: 16"	
Weight	26.0kg   57lb	
Upholstery	3.3M   40.7SF	
Shipping Volume	0.46CBM	
Pkg Dimensions	FCL	W965 x D965 x H495mm; 31.33kg   W38" x D38" x H19"; 69lb
	LCL/AIR	W985 x D985 x H590mm; 42.60kg   W39" x D39" x H23"; 94lb

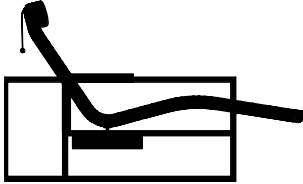
Lead time: 10-12 weeks

COM/COL		<b>¥188,000</b>
Fabric	C	<b>¥188,000</b>
	B	<b>¥236,000</b>
	A	<b>¥253,000</b>
Leather	C	<b>¥224,000</b>
	B	<b>¥262,000</b>
	A	<b>¥298,000</b>
PU Leather		<b>¥188,000</b>



# James Chaise

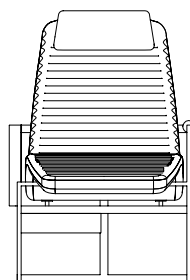
by Yabu  
Pushelberge



## JA-S111

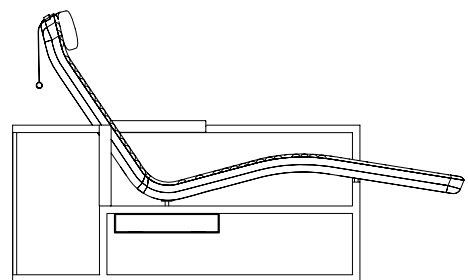
Materials	Steel black powder coat sand brust, leather upholstery, solid walnut		
Dimensions	W605 x D1510 x H910mm   W23.8" x D59.4" x H35.8"		
Weight	27.5kg   60.5lb		
Upholstery	3.3M   66.OSF		
Shipping Volume	1.05CBM		
Pkg Dimensions	FCL	W670 x D1575 x H995mm; 38.20kg   W26" x D62" x H39"; 84lb	
	LCL/AIR	W690 x D1595 x H1090mm; 50.99kg   W27" x D63" x H43"; 112lb	

<b>Steel</b>		Lead time: 10-12 weeks
COM/COL		<b>¥580,000</b>
Fabric	C	<b>¥580,000</b>
	B	<b>¥638,000</b>
	A	<b>¥658,000</b>
Leather	C	<b>¥655,000</b>
	B	<b>¥722,000</b>
	A	<b>¥785,000</b>
PU Leather		<b>¥580,000</b>



605mm  
23.8in

910mm  
35.8in



1510mm  
59.4in

910mm  
35.8in

# James Stool

by Yabu  
Pushelberge



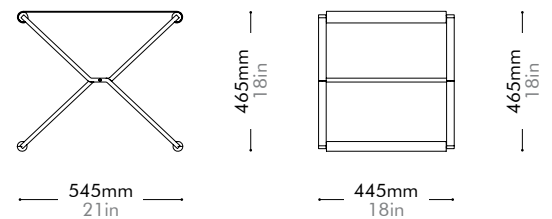
## JA-S610

Materials	Steel black powder coat sand burst legs with solid walnut detail, leather seat		
Dimensions	W545 x D445 x H465mm; SH: 465mm   W21" x D18" x H18"; SH: 18"		
Weight	6.2kg   14lb		
Upholstery	0.6M   17.6SF		
Shipping Volume	0.07CBM		
Pkg Dimensions	FCL	W765 x D510 x H175mm; 7.81kg   W30" x D20" x H7"; 17lb	
	LCL/AIR	W785 x D530 x H270mm; 12.64kg   W31" x D21" x H11"; 28lb	

### Steel

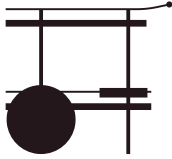
Lead time: 10-12 weeks

COM/COL		<b>¥136,000</b>
Fabric	C	<b>¥136,000</b>
	B	<b>¥143,000</b>
	A	<b>¥146,000</b>
Leather	C	<b>¥159,000</b>
	B	<b>¥176,000</b>
	A	<b>¥192,000</b>
PU Leather		<b>¥136,000</b>



# James Bar Cart

by Yabu  
Pushelberge



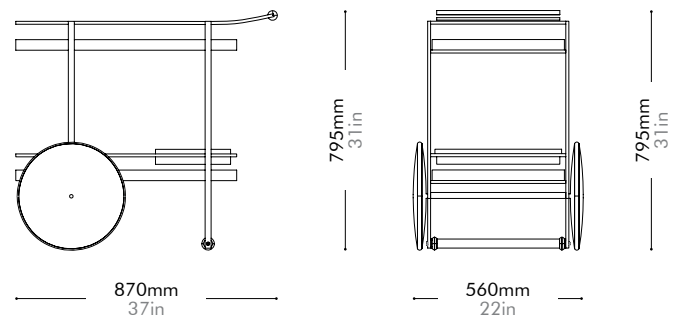
## JA-CA110

Materials	Wood veneer panels, steel black powder coat sand brush, solid walnut handle		
Dimensions	W870 x D560 x H795mm   W34" x D22" x H31"		
Weight	27.5kg   61lb		
Upholstery			
Shipping Volume	0.51CBM		
Pkg Dimensions	FCL	W935 x D625 x H880mm; 34.33kg   W37" x D25" x H35"; 76lb	
	LCL/AIR	W955 x D645 x H975mm; 41.49kg   W38" x D25" x H38"; 91lb	

**Steel**

Lead time: 10-12 weeks

**¥517,000**



# Journey Dining Chair-CV by Space Copenhagen



## JN-S210-CV

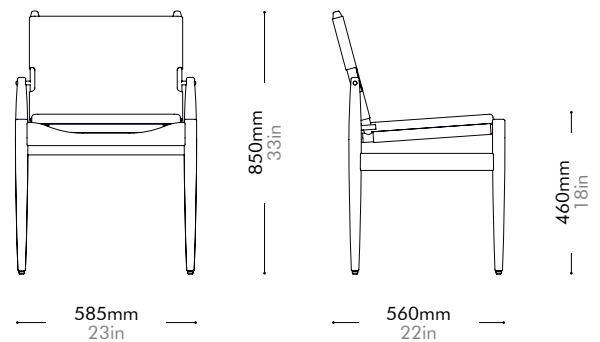
Materials	Solid wood frame, upholstery, stainless steel oil rubbed copper		
Dimensions	W585 x D560 x H850mm; SH: 460mm   W23" x D22" x H33"; SH: 18"		
Weight	6.5kg   14lb		
Upholstery	0.7M   9.0SF	Canvas 1.5M	
Shipping Volume	0.38CBM		
Pkg Dimensions	FCL	W650 x D625 x H935mm; 12.68kg   W26" x D25" x H37"; 28lb	
	LCL/AIR	W690 x D665 x H1025mm; 18.01kg   W27" x D26" x H40"; 40lb	

\* Backrest and seating pad ONLY available in Canvas and Saddle Leather

\* Cushion is available in all graded-in fabrics and leathers except Batyline Eden and Saddle Leather

Oak	Lead time: 10-12 weeks	
COM/COL		<b>¥105,000</b>
Fabric	C	<b>¥105,000</b>
	B	<b>¥118,000</b>
	A	<b>¥122,000</b>

Walnut	Lead time: 10-12 weeks	
COM/COL		<b>¥123,000</b>
Fabric	C	<b>¥123,000</b>
	B	<b>¥135,000</b>
	A	<b>¥140,000</b>



# Journey Dining Chair-LE

by Space  
Copenhagen



## JN-S210-LE

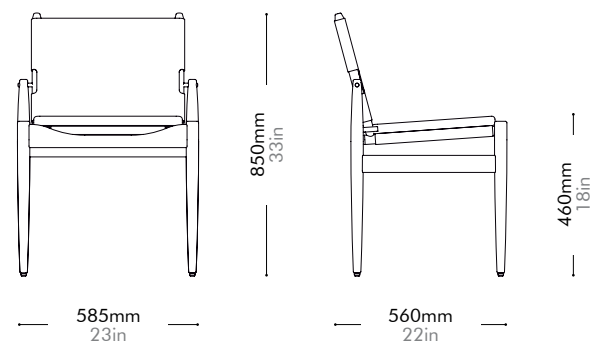
Materials	Solid wood frame, upholstery, stainless steel oil rubbed copper		
Dimensions	W585 x D560 x H850mm; SH: 460mm   W23" x D22" x H33"; SH: 18"		
Weight	6.5kg   14lb		
Upholstery	0.7M   9.OSF	Saddle Leather	14.OSF
Shipping Volume	0.38CBM		
Pkg Dimensions	FCL	W650 x D625 x H935mm; 12.68kg   W26" x D25" x H37"; 28lb	
	LCL/AIR	W690 x D665 x H1025mm; 18.01kg   W27" x D26" x H40"; 40lb	

\* Backrest and seating pad ONLY available in Canvas and Saddle Leather

\* Cushion is available in all graded-in fabrics and leathers except Batyline Eden and Saddle Leather

Oak	Lead time: 10-12 weeks	
COM/COL		<b>¥153,000</b>
Leather	C	<b>¥163,000</b>
	B	<b>¥172,000</b>
	A	<b>¥181,000</b>
PU Leather		<b>¥153,000</b>

Walnut	Lead time: 10-12 weeks	
COM/COL		<b>¥171,000</b>
Leather	C	<b>¥180,000</b>
	B	<b>¥190,000</b>
	A	<b>¥199,000</b>
PU Leather		<b>¥171,000</b>



# Journey Dining Armchair-CV

by Space  
Copenhagen



## JN-S211-CV

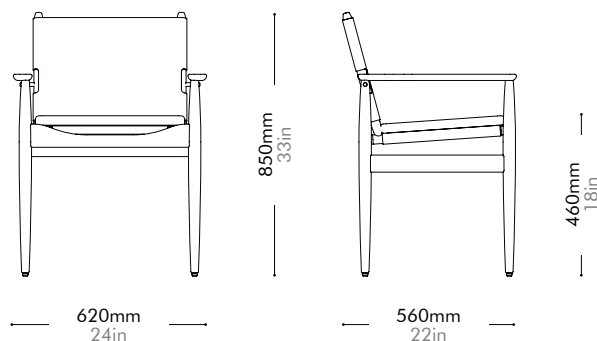
Materials	Solid wood frame, upholstery, stainless steel oil rubbed copper		
Dimensions	W620 x D560 x H850mm; SH: 460mm   W24" x D22" x H33"; SH: 18"		
Weight	7.5kg   17lb		
Upholstery	0.7M   9.0SF	Canvas 1.5M	
Shipping Volume	0.40CBM		
Pkg Dimensions	FCL	W685 x D625 x H935mm; 13.82kg   W27" x D25" x H37"; 30lb	
	LCL/AIR	W725 x D665 x H1025mm; 19.42kg   W29" x D26" x H40"; 43lb	

\* Backrest and seating pad ONLY available in Canvas and Saddle Leather

\* Cushion is available in all graded-in fabrics and leathers except Batyline Eden and Saddle Leather

Oak	Lead time: 10-12 weeks	
COM/COL	¥117,000	
Fabric	C	¥117,000
	B	¥130,000
	A	¥134,000

Walnut	Lead time: 10-12 weeks	
COM/COL	¥139,000	
Fabric	C	¥139,000
	B	¥151,000
	A	¥156,000



# Journey Dining Armchair-LE

by Space  
Copenhagen



## JN-S211-LE

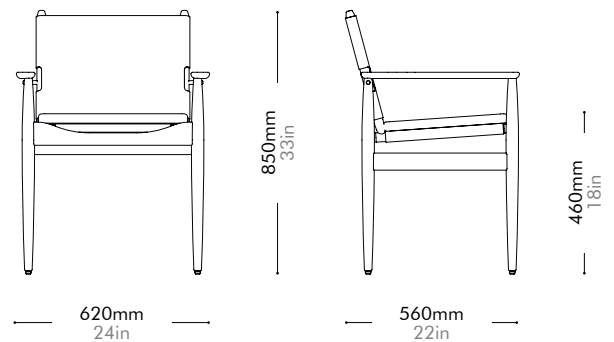
Materials	Solid wood frame, upholstery, stainless steel oil rubbed copper		
Dimensions	W620 x D560 x H850mm; SH: 460mm   W24" x D22" x H33"; SH: 18"		
Weight	7.5kg   17lb		
Upholstery	0.7M   9.OSF	Saddle Leather	14.OSF
Shipping Volume	0.40CBM		
Pkg Dimensions	FCL	W685 x D625 x H935mm; 13.82kg   W27" x D25" x H37"; 30lb	
	LCL/AIR	W725 x D665 x H1025mm; 19.42kg   W29" x D26" x H40"; 43lb	

\* Backrest and seating pad ONLY available in Canvas and Saddle Leather

\* Cushion is available in all graded-in fabrics and leathers except Batyline Eden and Saddle Leather

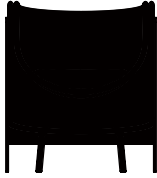
Oak	Lead time: 10-12 weeks	
COM/COL		<b>¥164,000</b>
Leather	C	<b>¥174,000</b>
	B	<b>¥184,000</b>
	A	<b>¥193,000</b>
PU Leather		<b>¥164,000</b>

Walnut	Lead time: 10-12 weeks	
COM/COL		<b>¥186,000</b>
Leather	C	<b>¥195,000</b>
	B	<b>¥205,000</b>
	A	<b>¥214,000</b>
PU Leather		<b>¥186,000</b>





# Kite Lounge Chair-Narrow by Nendo

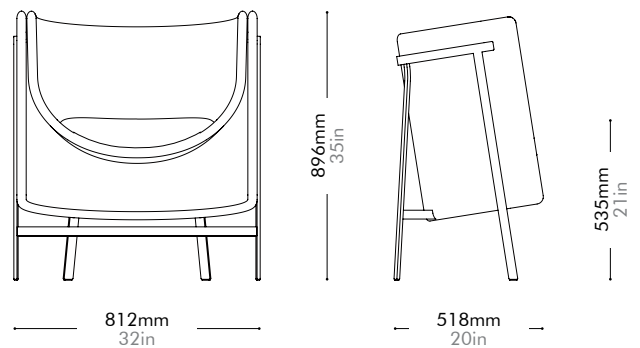


## KT-S110-N

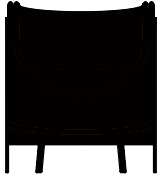
Materials	Steel black powder coat matt, upholstered moulded foam shell		
Dimensions	W812 x D518 x H896mm; SH: 535mm   W32" x D20" x H35"; SH: 21"		
Weight	24.5kg   54lb		
Upholstery	4.0M   95.0SF		
Shipping Volume	0.54CBM		
Pkg Dimensions	FCL	W897 x D603 x H1001mm; 32.11kg   W35" x D24" x H39"; 71lb	
	LCL/AIR	W937 x D643 x H1091mm; 39.11kg   W37" x D25" x H43"; 86lb	

Lead time: 10-12 weeks

COM/COL		<b>¥252,000</b>
Fabric	C	<b>¥252,000</b>
	B	<b>¥395,000</b>
	A	<b>¥429,000</b>
Leather	C	<b>¥435,000</b>
	B	<b>¥554,000</b>
	A	<b>¥651,000</b>
PU Leather		<b>¥252,000</b>



# Kite Lounge Chair-Deep by Nendo

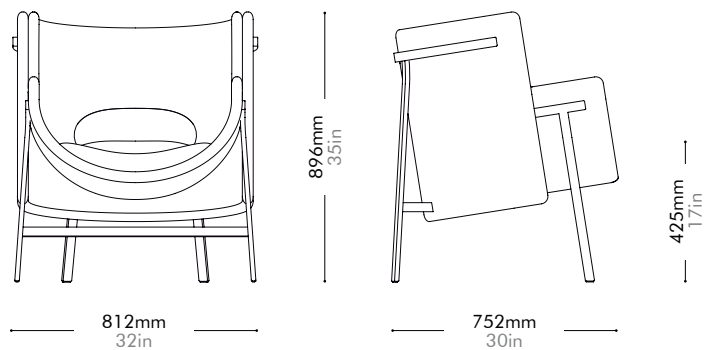


## KT-S110-D

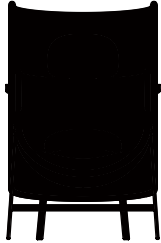
Materials	Steel black powder coat matt, upholstered moulded foam shell		
Dimensions	W812 x D752 x H896mm; SH: 425mm   W32" x D30" x H35"; SH: 17"		
Weight	31.0kg   68lb		
Upholstery	7.0M   160.0SF		
Shipping Volume	0.75CBM		
Pkg Dimensions	FCL	W897 x D837 x H1001mm; 39.72kg   W35" x D33" x H39"; 88lb	
	LCL/AIR	W937 x D877 x H1091mm; 49.27kg   W37" x D35" x H43"; 109lb	

Lead time: 10-12 weeks

COM/COL		<b>¥356,000</b>
Fabric	C	<b>¥356,000</b>
	B	<b>¥512,000</b>
	A	<b>¥556,000</b>
Leather	C	<b>¥594,000</b>
	B	<b>¥769,000</b>
	A	<b>¥933,000</b>
PU Leather		<b>¥356,000</b>



# Kite Highback Chair-Narrow by Nendo

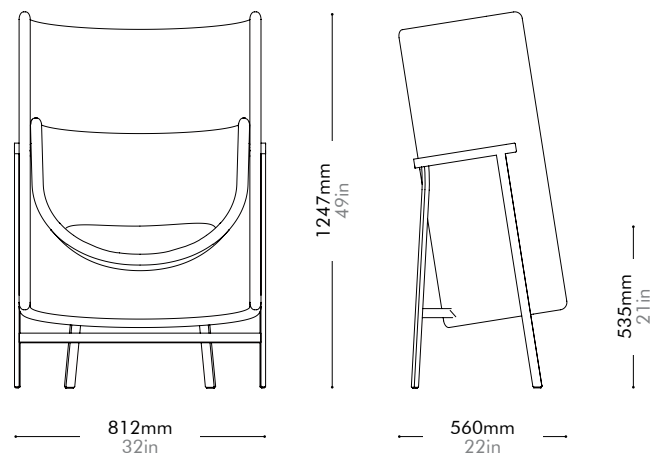


## KT-S120-N

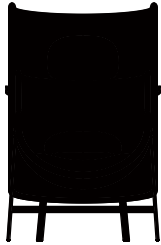
Materials	Steel black powder coat matt, upholstered moulded foam shell		
Dimensions	W812 x D560 x H1247mm; SH: 535mm   W32" x D22" x H49"; SH: 21"		
Weight	31.0kg   68lb		
Upholstery	5.1M   140.0SF		
Shipping Volume	0.78CBM		
Pkg Dimensions	FCL	W897 x D645 x H1352mm; 42.23kg   W35" x D25" x H53"; 93lb	
	LCL/AIR	W937 x D685 x H1442mm; 49.69kg   W37" x D27" x H57"; 110lb	

Lead time: 10-12 weeks

COM/COL		<b>¥353,000</b>
Fabric	C	<b>¥353,000</b>
	B	<b>¥457,000</b>
	A	<b>¥490,000</b>
Leather	C	<b>¥547,000</b>
	B	<b>¥699,000</b>
	A	<b>¥842,000</b>
PU Leather		<b>¥353,000</b>



# Kite Highback Chair-Deep by Nendo

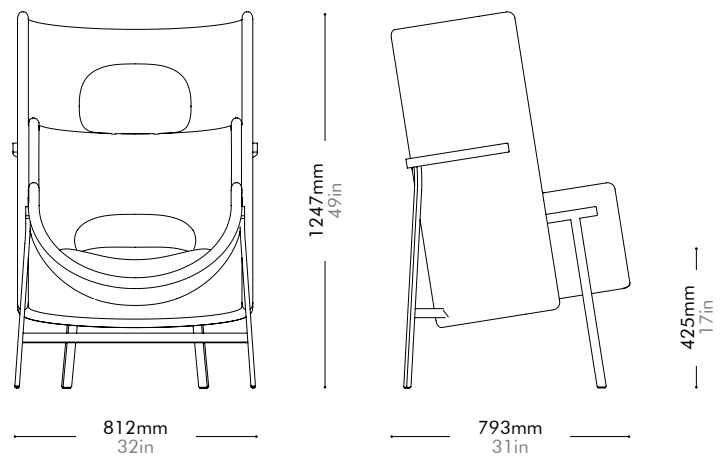


## KT-S120-D

Materials	Steel black powder coat matt, upholstered moulded foam shell		
Dimensions	W812 x D793 x H1247mm; SH: 425mm   W32" x D31" x H49"; SH: 17"		
Weight	37.0kg   82lb		
Upholstery	7.0M   175.0SF		
Shipping Volume	1.06CBM		
Pkg Dimensions	FCL	W897 x D878 x H1352mm; 49.54kg   W35" x D25" x H53"; 109lb	
	LCL/AIR	W937 x D918 x H1442mm; 59.53kg   W37" x D27" x H57"; 131lb	

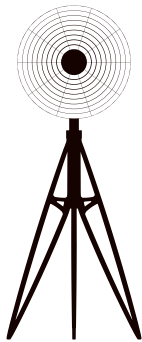
Lead time: 10-12 weeks

COM/COL		<b>¥428,000</b>
Fabric	C	<b>¥428,000</b>
	B	<b>¥652,000</b>
	A	<b>¥696,000</b>
Leather	C	<b>¥733,000</b>
	B	<b>¥908,000</b>
	A	<b>¥1,072,000</b>
PU Leather		<b>¥428,000</b>



# Kyoto Floor Lamp

by OEO Studio



## KY-L110

Materials Solid wood base, washi paper, brass plated stainless steel hardware

Dimensions W710 x D615 x H1750mm | W28" x D24" x H69"

Weight 3.0kg | 7lb

Upholstery

Shipping Volume 0.04 + 0.12CBM

Pkg Dimensions FCL W1195 x D215 x H175mm; 3.14kg | W47" x D8" x H7"; 7lb

W635 x D635 x H295mm; 3.36kg | W48" x D9" x H11"; 14lb

LCL/AIR W1215 x D235 x H270mm; 6.45kg | W25" x D25" x H12"; 7lb

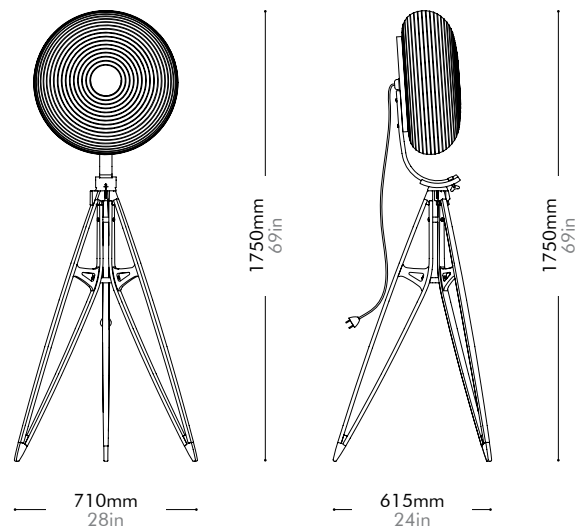
W655 x D655 x H315mm; 8.35kg | W26" x D26" x H12"; 18lb

\* LIGHT SOURCE NOT INCLUDED

**Oak**

Lead time: 10-12 weeks

**¥233,000**



# Gray Blanket

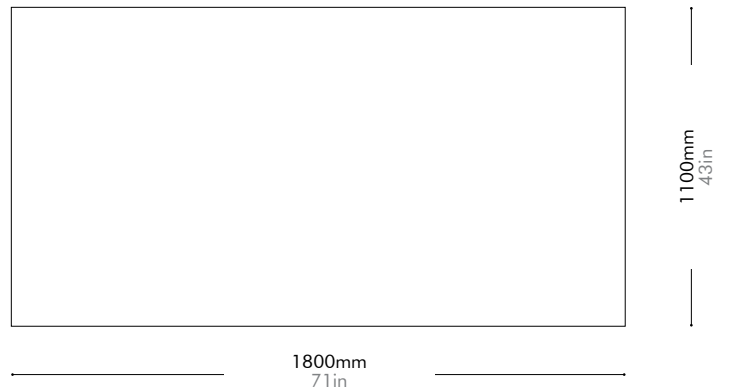


## LI- T001

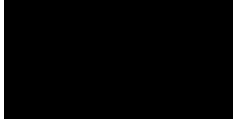
Materials	100% Linen
Dimensions	L1800 x W1100mm   L71" x W43"
Weight	0.6kg   1lb
Shipping Volume	0.02 CBM
Pkg Dimensions	FCL/LCL/AIR W500 x D370 x H115mm; 1.02kg   W20" x D15" x H5"; 2lb

Lead time: 8 weeks

**¥51,000**



# Flax Blanket

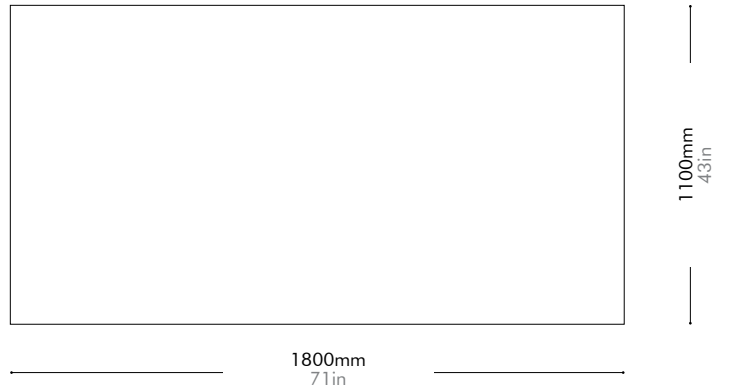


## LI- T002

Materials	100% Linen
Dimensions	L1800 x W1100mm   L71" x W43"
Weight	0.6kg   1lb
Shipping Volume	0.02 CBM
Pkg Dimensions	FCL/LCL/AIR W500 x D370 x H115mm; 1.02kg   W20" x D15" x H5"; 2lb

Lead time: 8 weeks

**¥51,000**



# Desert Blanket

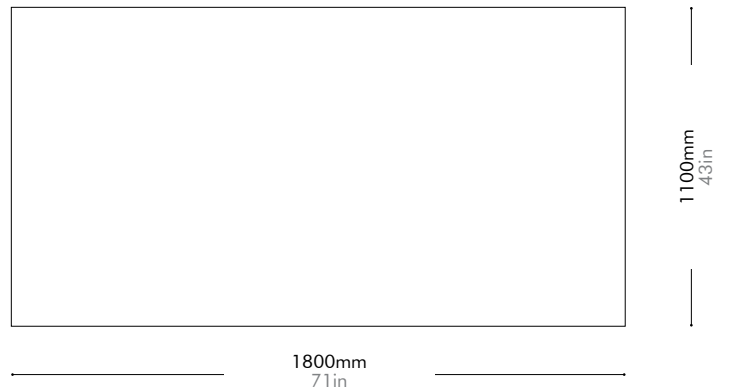


## LI- T003

Materials	100% Linen
Dimensions	L1800 x W1100mm   L71" x W43"
Weight	0.6kg   1lb
Shipping Volume	0.02 CBM
Pkg Dimensions	FCL/LCL/AIR W500 x D370 x H115mm; 1.02kg   W20" x D15" x H5"; 2lb

Lead time: 8 weeks

**¥51,000**





# Lunar Dining Chair Small

by Space Copenhagen



## LN-S221-S

Materials Solid wood legs, upholstered moulded foam frame, upholstered cushion

Dimensions W600 x D510 x H780mm; SH: 470mm | W24" x D20" x H31"; SH: 19"

Weight 12.5kg | 28lb

Upholstery 2.1M | 41.8SF

Shipping Volume 0.40CBM

Pkg Dimensions FCL W680 x D680 x H870mm; 18.51kg | W27" x D27" x H34"; 41lb

LCL/AIR W700 x D700 x H965mm; 24.20kg | W28" x D28" x H38"; 53lb

### Oak Lead time: 10-12 weeks

COM/COL **¥181,000**

Fabric C **¥181,000**

B **¥218,000**

A **¥231,000**

Leather C **¥222,000**

B **¥261,000**

A **¥297,000**

PU Leather **¥181,000**

### Walnut Lead time: 10-12 weeks

COM/COL **¥200,000**

Fabric C **¥200,000**

B **¥237,000**

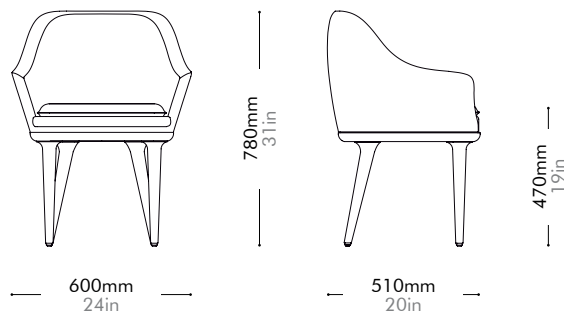
A **¥250,000**

Leather C **¥242,000**

B **¥281,000**

A **¥317,000**

PU Leather **¥200,000**



# Lunar Dining Chair Large

by Space Copenhagen

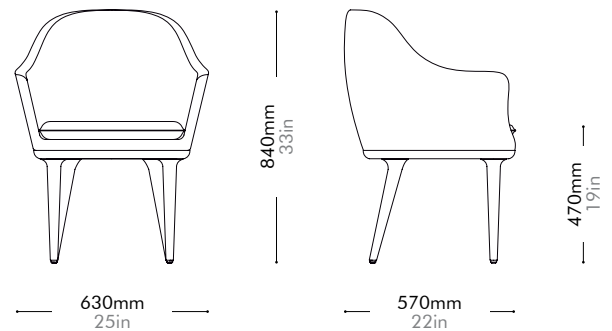


## LN-S221-L

Materials	Solid wood legs, upholstered moulded foam frame, upholstered cushion		
Dimensions	W630 x D570 x H840mm; SH: 470mm   W25" x D22" x H33"; SH: 19"		
Weight	13.0kg   29lb		
Upholstery	2.2M   44.0SF		
Shipping Volume	0.40CBM		
Pkg Dimensions	FCL	W680 x D680 x H870mm; 19.01kg   W27" x D27" x H34"; 42lb	
	LCL/AIR	W700 x D700 x H965mm; 24.70kg   W28" x D28" x H38"; 54lb	

<b>Oak</b>		Lead time: 10-12 weeks
COM/COL		<b>¥195,000</b>
Fabric	C	<b>¥195,000</b>
	B	<b>¥235,000</b>
	A	<b>¥249,000</b>
Leather	C	<b>¥244,000</b>
	B	<b>¥287,000</b>
	A	<b>¥328,000</b>
PU Leather		<b>¥195,000</b>

<b>Walnut</b>		Lead time: 10-12 weeks
COM/COL		<b>¥217,000</b>
Fabric	C	<b>¥217,000</b>
	B	<b>¥256,000</b>
	A	<b>¥270,000</b>
Leather	C	<b>¥265,000</b>
	B	<b>¥308,000</b>
	A	<b>¥349,000</b>
PU Leather		<b>¥217,000</b>



# Lunar Highback Lounge Chair

by Space Copenhagen

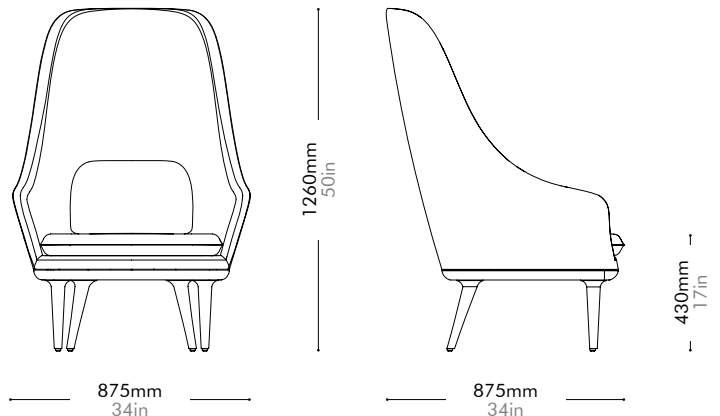


## LN-S121

Materials	Solid wood legs, upholstered moulded foam frame, upholstered cushion		
Dimensions	W875 x D875 x H1260mm; SH: 430mm   W34" x D34" x H50"; SH: 17"		
Weight	27.5kg   61lb		
Upholstery	4.7M   120.0SF		
Shipping Volume	1.19CBM		
Pkg Dimensions	FCL	W940 x D940 x H1345mm; 40.55kg   W37" x D37" x H53"; 89lb	
	LCL/AIR	W960 x D960 x H1440mm; 51.26kg   W38" x D38" x H57"; 113lb	

<b>Oak</b>		Lead time: 10-12 weeks
COM/COL		<b>¥401,000</b>
Fabric	C	<b>¥401,000</b>
	B	<b>¥557,000</b>
	A	<b>¥609,000</b>
Leather	C	<b>¥611,000</b>
	B	<b>¥722,000</b>
	A	<b>¥826,000</b>
PU Leather		<b>¥401,000</b>

<b>Walnut</b>		Lead time: 10-12 weeks
COM/COL		<b>¥427,000</b>
Fabric	C	<b>¥427,000</b>
	B	<b>¥579,000</b>
	A	<b>¥628,000</b>
Leather	C	<b>¥631,000</b>
	B	<b>¥742,000</b>
	A	<b>¥846,000</b>
PU Leather		<b>¥427,000</b>



# Lunar Lounge Chair Small by Space Copenhagen

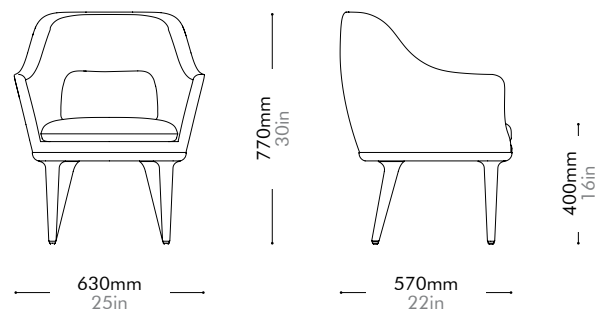


## LN-S121-S

Materials	Solid wood legs, upholstered moulded foam frame, upholstered cushion		
Dimensions	W630 x D570 x H770mm; SH: 400mm   W25" x D22" x H30"; SH: 16"		
Weight	12.5kg   28lb		
Upholstery	2.2M   44.0SF		
Shipping Volume	0.40CBM		
Pkg Dimensions	FCL	W680 x D680 x H870mm; 18.51kg   W27" x D27" x H34"; 41lb	
	LCL/AIR	W700 x D700 x H965mm; 24.20kg   W28" x D28" x H38"; 53lb	

<b>Oak</b>		Lead time: 10-12 weeks
COM/COL		<b>¥221,000</b>
Fabric	C	<b>¥221,000</b>
	B	<b>¥295,000</b>
	A	<b>¥322,000</b>
Leather	C	<b>¥316,000</b>
	B	<b>¥364,000</b>
	A	<b>¥409,000</b>
PU Leather		<b>¥221,000</b>

<b>Walnut</b>		Lead time: 10-12 weeks
COM/COL		<b>¥245,000</b>
Fabric	C	<b>¥245,000</b>
	B	<b>¥319,000</b>
	A	<b>¥341,000</b>
Leather	C	<b>¥335,000</b>
	B	<b>¥383,000</b>
	A	<b>¥428,000</b>
PU Leather		<b>¥245,000</b>



# Lunar Lounge Chair Large by Space Copenhagen



## LN-S111-L

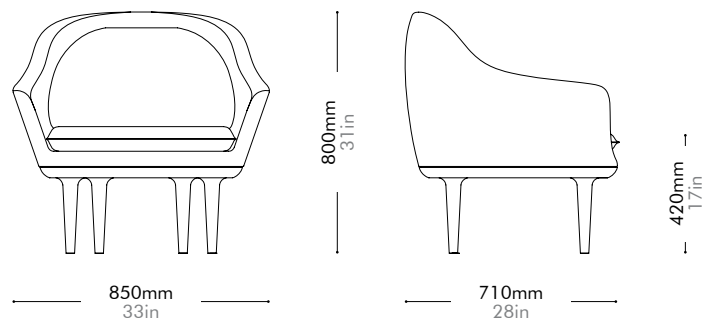
Materials	Solid wood legs, upholstered moulded foam frame, upholstered cushion		
Dimensions	W850 x D710 x H800mm; SH: 420mm   W33" x D28" x H31"; SH: 17"		
Weight	23.5kg   52lb		
Upholstery	3.7M   71.5SF		
Shipping Volume	0.59CBM		
Pkg Dimensions	FCL	W900 x D800 x H820mm; 30.47kg   W35" x D31" x H32"; 67lb	
	LCL/AIR	W920 x D820 x H915mm; 39.23kg   W36" x D32" x H36"; 87lb	

### Oak Lead time: 10-12 weeks

COM/COL		<b>¥365,000</b>
Fabric	C	<b>¥365,000</b>
	B	<b>¥473,000</b>
	A	<b>¥498,000</b>
Leather	C	<b>¥488,000</b>
	B	<b>¥567,000</b>
	A	<b>¥641,000</b>
PU Leather		<b>¥365,000</b>

### Walnut Lead time: 10-12 weeks

COM/COL		<b>¥396,000</b>
Fabric	C	<b>¥396,000</b>
	B	<b>¥497,000</b>
	A	<b>¥521,000</b>
Leather	C	<b>¥512,000</b>
	B	<b>¥590,000</b>
	A	<b>¥664,000</b>
PU Leather		<b>¥396,000</b>



# Lunar Sofa

by Space  
Copenhagen

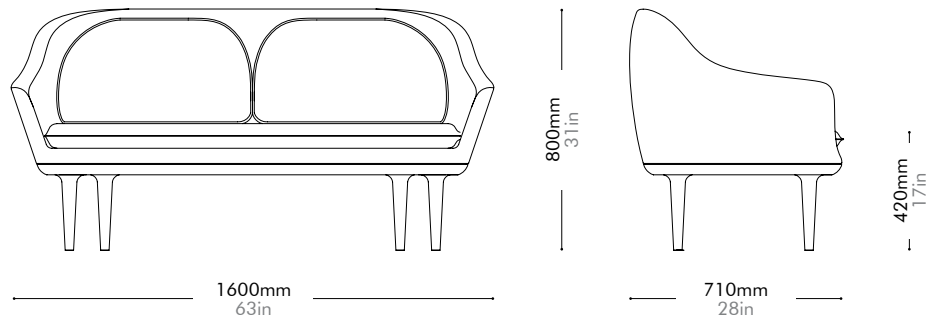


## LN-S411

Materials	Solid wood legs, upholstered moulded foam frame, upholstered cushion		
Dimensions	W1600 x D710 x H800mm; SH: 420mm   W63" x D28" x H31"; SH: 17"		
Weight	45.5kg   100lb		
Upholstery	6.4M   121.OSF		
Shipping Volume	1.21CBM		
Pkg Dimensions	FCL	W1685 x D795 x H905mm; 56.51kg   W66" x D31" x H36"; 125lb	
	LCL/AIR	W1705 x D815 x H1000mm; 72.65kg   W67" x D32" x H39"; 160lb	

<b>Oak</b>		Lead time: 10-12 weeks
COM/COL		<b>¥472,000</b>
Fabric	C	<b>¥472,000</b>
	B	<b>¥584,000</b>
	A	<b>¥624,000</b>
Leather	C	<b>¥607,000</b>
	B	<b>¥730,000</b>
	A	<b>¥846,000</b>
PU Leather		<b>¥472,000</b>

<b>Walnut</b>		Lead time: 10-12 weeks
COM/COL		<b>¥492,000</b>
Fabric	C	<b>¥492,000</b>
	B	<b>¥605,000</b>
	A	<b>¥644,000</b>
Leather	C	<b>¥628,000</b>
	B	<b>¥751,000</b>
	A	<b>¥867,000</b>
PU Leather		<b>¥492,000</b>



# Lunar Bar Chair SH750

by Space  
Copenhagen



## LN-S311-750

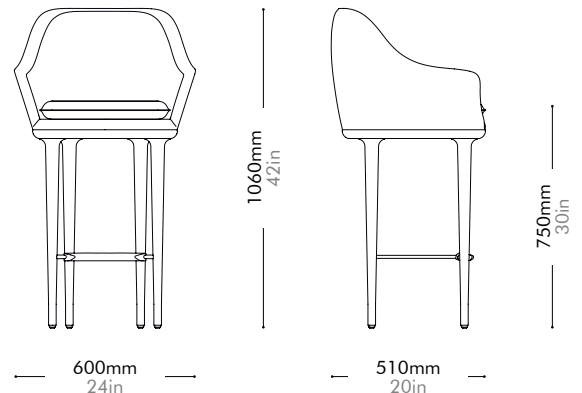
Materials	Solid wood legs, upholstered moulded foam frame, upholstered cushion, brass plated stainless steel		
Dimensions	W600 x D510 x H1060mm; SH: 750mm   W24" x D20" x H42"; SH: 30"		
Weight	14.5kg   32lb		
Upholstery	2.1M   41.8SF		
Shipping Volume	0.51CBM		
Pkg Dimensions	FCL	W680 x D680 x H1100mm; 22.42kg   W27" x D27" x H43"; 49lb	
	LCL/AIR	W700 x D700 x H1195mm; 28.11kg   W28" x D28" x H47"; 62lb	

### Oak Lead time: 10-12 weeks

COM/COL		<b>¥271,000</b>
Fabric	C	<b>¥271,000</b>
	B	<b>¥314,000</b>
	A	<b>¥329,000</b>
Leather	C	<b>¥320,000</b>
	B	<b>¥365,000</b>
	A	<b>¥407,000</b>
PU Leather		<b>¥271,000</b>

### Walnut Lead time: 10-12 weeks

COM/COL		<b>¥305,000</b>
Fabric	C	<b>¥305,000</b>
	B	<b>¥348,000</b>
	A	<b>¥363,000</b>
Leather	C	<b>¥354,000</b>
	B	<b>¥399,000</b>
	A	<b>¥441,000</b>
PU Leather		<b>¥305,000</b>



# Lunar Side Table by Space Copenhagen



## LN-T110-500

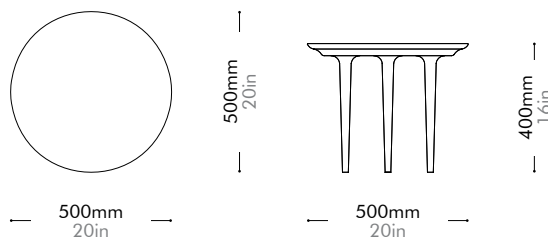
Materials	Solid wood legs, wood veneer top		
Dimensions	C500 x H400mm   C20" x H16"		
Weight	5.5kg   12lb		
Upholstery			
Shipping Volume	0.04 + 0.02CBM		
Pkg Dimensions	FCL	W580 x D580 x H120mm; 5.53kg	W23" x D23" x H5"; 12lb
		W303 x D115 x H452mm; 2.96kg	W12" x D5" x H18"; 7lb
	LCL/AIR	W600 x D600 x H140mm; 9.71kg	W24" x D24" x H6"; 21lb
		W303 x D115 x H452mm; 2.96kg	W12" x D5" x H18"; 7lb

**Oak** Lead time: 10-12 weeks

¥114,000

**Walnut** Lead time: 10-12 weeks

¥141,000





# Lunar Coffee Table S800

by Space Copenhagen



## LN-T220-800

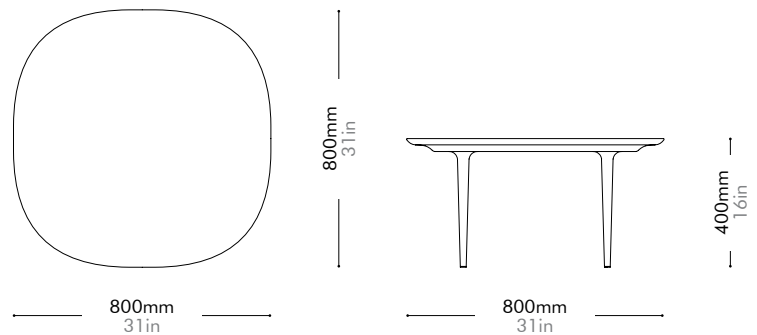
Materials	Solid wood legs, wood veneer top	
Dimensions	W800 x D800 x H400mm   W31" x D31" x H16"	
Weight	19.0kg   42lb	
Upholstery		
Shipping Volume	0.09 + 0.02CBM	
Pkg Dimensions	FCL	W880 x D880 x H120mm; 19.9kg   W35" x D35" x H5"; 44lb
		W209 x D209 x H452mm; 3.38kg   W8" x D8" x H18"; 7lb
	LCL/AIR	W900 x D900 x H215mm; 29.31kg   W35" x D35" x H8"; 65lb
		W209 x D209 x H452mm; 3.89kg   W8" x D8" x H18"; 9lb

**Oak** Lead time: 10-12 weeks

**¥172,000**

**Walnut** Lead time: 10-12 weeks

**¥215,000**



# Lunar Coffee Table W1200

by Space Copenhagen



## LN-T210-1200

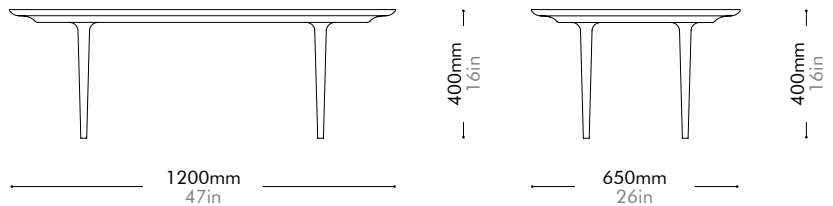
Materials	Solid wood legs, wood veneer top	
Dimensions	W1200 x D650 x H400mm   W47" x D26" x H16"	
Weight	17.4kg   39lb	
Upholstery		
Shipping Volume	0.11 + 0.02CBM	
Pkg Dimensions	FCL	W1280 x D730 x H120mm; 18.78kg   W50" x D29" x H5"; 41lb
		W209 x D209 x H452mm; 3.38kg   W8" x D8" x H18"; 7lb
	LCL/AIR	W1300 x D750 x H215mm; 30.10kg   W51" x D30" x H8"; 66lb
		W209 x D209 x H452mm; 3.89kg   W8" x D8" x H18"; 9lb

**Oak** Lead time: 10-12 weeks

¥209,000

**Walnut** Lead time: 10-12 weeks

¥259,000



# Lunar Dining Table W1600

by Space Copenhagen



## LN-T410-1600

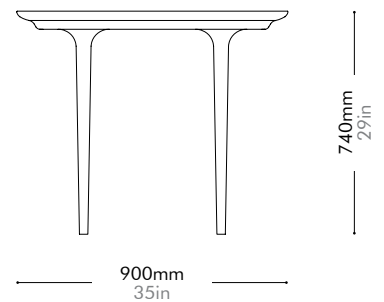
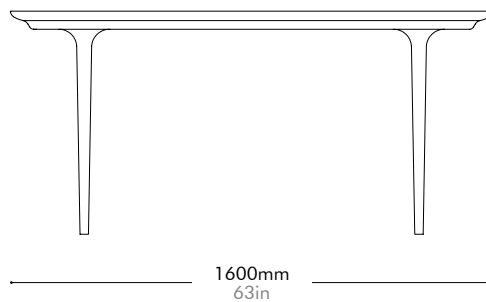
Materials	Solid wood legs, wood veneer top	
Dimensions	W1600 x D900 x H740mm   W63" x D35" x H29"	
Weight	40.0kg   88lb	
Upholstery		
Shipping Volume	0.22 + 0.15CBM	
Pkg Dimensions	FCL	W1680 x D980 x H135mm; 39.06kg   W66" x D39" x H5"; 86lb
		W430 x D430 x H825mm; 12.47kg   W17" x D17" x H32"; 27lb
LCL/AIR		W1700 x D1000 x H230mm; 58.81kg   W67" x D39" x H9"; 130lb
		W430 x D430 x H825mm; 12.47kg   W17" x D17" x H32"; 27lb

**Oak** Lead time: 10-12 weeks

**¥373,000**

**Walnut** Lead time: 10-12 weeks

**¥525,000**



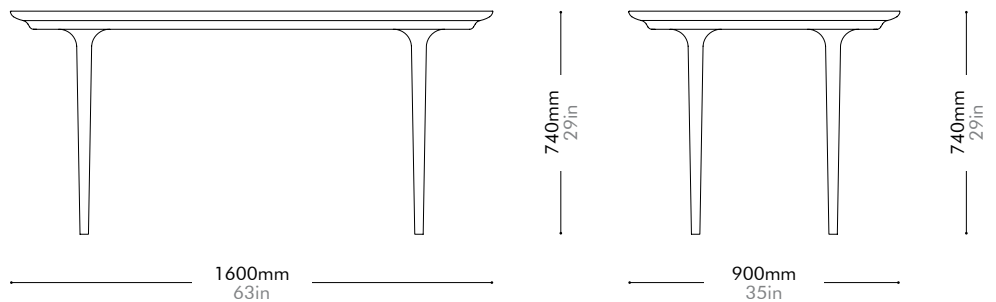
# Lunar Dining Table W1600 - Stone Top by Space Copenhagen



## LN-T410-1600-ST

Materials	Solid wood legs, stone top	
Dimensions	W1600 x D900 x H740mm   W63" x D35" x H29"	
Weight	51.0kg   112lb	
Upholstery		
Shipping Volume	0.26 + 0.15CBM	
Pkg Dimensions	FCL	W1680 x D980 x H135mm; 50.06kg   W66" x D39" x H5"; 110lb
		W430 x D430 x H825mm; 12.47kg   W17" x D17" x H32"; 27lb
	LCL/AIR	W1700 x D1000 x H230mm; 69.81kg   W67" x D39" x H9"; 154lb
		W430 x D430 x H825mm; 12.47kg   W17" x D17" x H32"; 27lb

Oak	Lead time: 10-12 weeks	Walnut	Lead time: 10-12 weeks
Stone B	¥505,000	Stone B	¥535,000
Stone A	¥637,000	Stone A	¥667,000



# Lunar Dining Table W1800

by Space Copenhagen



## LN-T410-1800

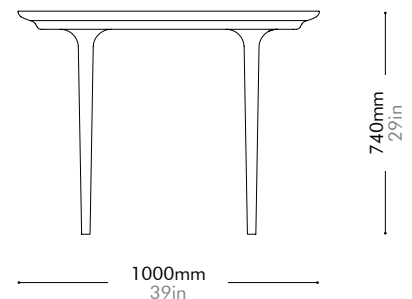
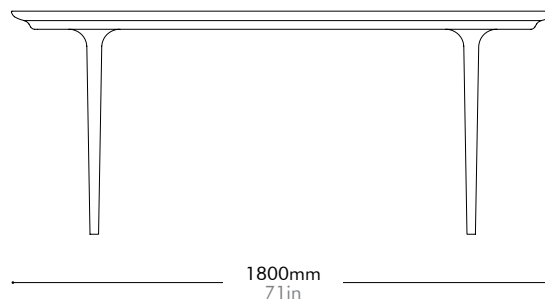
Materials	Solid wood legs, wood veneer top	
Dimensions	W1800 x D1000 x H740mm   W71" x D39" x H29"	
Weight	43.5kg   96lb	
Upholstery		
Shipping Volume	0.27 + 0.15CBM	
Pkg Dimensions	FCL	W1880 x D1080 x H135mm; 43.62kg   W74" x D43" x H5"; 96lb
		W430 x D430 x H825mm; 12.47kg   W17" x D17" x H32"; 27lb
	LCL/AIR	W1900 x D1100 x H230mm; 67.91kg   W75" x D43" x H9"; 150lb
		W430 x D430 x H825mm; 12.47kg   W17" x D17" x H32"; 27lb

**Oak** Lead time: 10-12 weeks

**¥398,000**

**Walnut** Lead time: 10-12 weeks

**¥561,000**



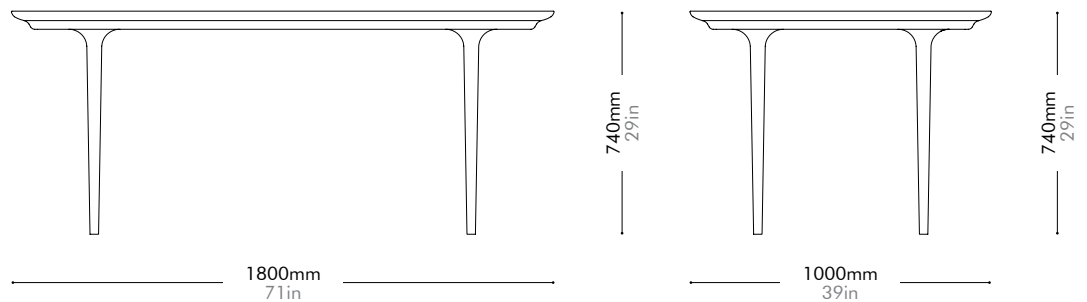
# Lunar Dining Table W1800 - Stone Top by Space Copenhagen



## LN-T410-1800-ST

Materials	Solid wood legs, stone top	
Dimensions	W1800 x D1000 x H740mm   W71" x D39" x H29"	
Weight	56.0kg   123lb	
Upholstery		
Shipping Volume	0.32 + 0.15CBM	
Pkg Dimensions	FCL	W1880 x D1080 x H135mm; 56.12kg   W74" x D43" x H5"; 124lb
		W430 x D430 x H825mm; 12.47kg   W17" x D17" x H32"; 27lb
	LCL/AIR	W1900 x D1100 x H230mm; 80.41kg   W75" x D43" x H9"; 180lb
		W430 x D430 x H825mm; 12.47kg   W17" x D17" x H32"; 27lb

Oak	Lead time: 10-12 weeks	Walnut	Lead time: 10-12 weeks
Stone B	¥575,000	Stone B	¥605,000
Stone A	¥738,000	Stone A	¥768,000



# Lunar Dining Table W2100

by Space Copenhagen



## LN-T410-2100

Materials	Solid wood legs, wood veneer top	
Dimensions	W2100 x D1100 x H740mm   W83" x D43" x H29"	
Weight	50.0kg   110lb	
Upholstery		
Shipping Volume	0.41 + 0.15CBM	
Pkg Dimensions	FCL	W2200 x D1200 x H155mm; 51.98kg   W87" x D47" x H6"; 115lb
		W430 x D430 x H825mm; 12.47kg   W17" x D17" x H32"; 27lb
LCL/AIR		W2240 x D1240 x H245mm; 84.25kg   W88" x D49" x H10"; 186lb
		W430 x D430 x H825mm; 12.47kg   W17" x D17" x H32"; 27lb

**Oak** Lead time: 10-12 weeks

¥437,000

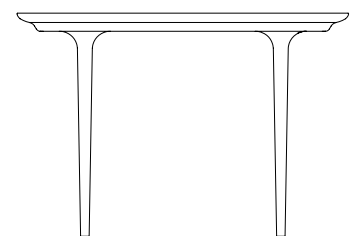
**Walnut** Lead time: 10-12 weeks

¥611,000



2100mm  
83in

740mm  
29in



1100mm  
43in

740mm  
29in

# Lunar Dining Table W2100 - Stone Top

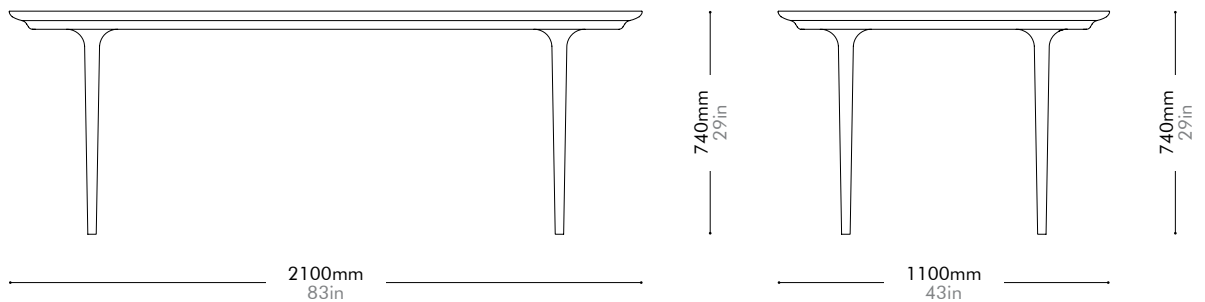
by Space Copenhagen



## LN-T410-2100-ST

Materials	Solid wood legs, stone top	
Dimensions	W2100 x D1100 x H740mm   W83" x D43" x H29"	
Weight	65.0kg   143lb	
Upholstery		
Shipping Volume	0.41 + 0.15CBM	
Pkg Dimensions	FCL	W2200 x D1200 x H155mm; 66.98kg   W87" x D47" x H6"; 148lb
		W430 x D430 x H825mm; 12.47kg   W17" x D17" x H32"; 27lb
	LCL/AIR	W2240 x D1240 x H245mm; 99.25kg   W88" x D49" x H10"; 219lb
		W430 x D430 x H825mm; 12.47kg   W17" x D17" x H32"; 27lb

Oak	Lead time: 10-12 weeks	Walnut	Lead time: 10-12 weeks
Stone B	¥669,000	Stone B	¥700,000
Stone A	¥871,000	Stone A	¥901,000





# Lunar Dining Table W2400

by Space Copenhagen



## LN-T410-2400

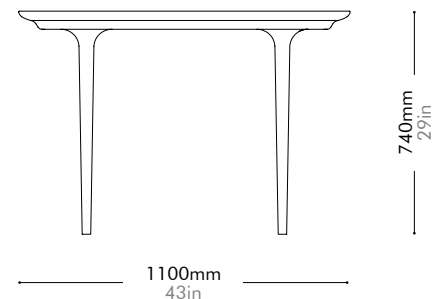
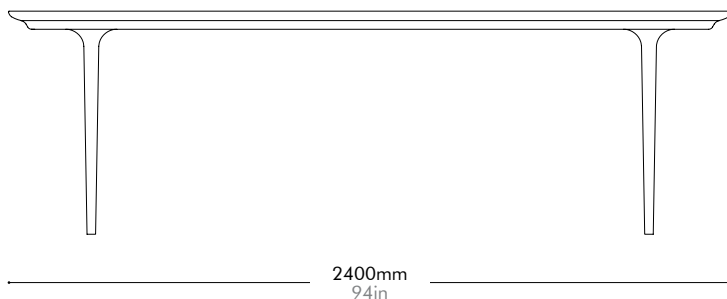
Materials	Solid wood legs, wood veneer top	
Dimensions	W2400 x D1100 x H740mm   W94" x D43" x H29"	
Weight	55.0kg   121lb	
Upholstery		
Shipping Volume	0.47 + 0.15CBM	
Pkg Dimensions	FCL	W2500 x D1200 x H155mm; 57.99kg   W98" x D47" x H6"; 128lb
		W430 x D430 x H825mm; 12.47kg   W17" x D17" x H32"; 27lb
	LCL/AIR	W2540 x D1240 x H245mm; 94.59kg   W100" x D49" x H10"; 209lb
		W430 x D430 x H825mm; 12.47kg   W17" x D17" x H32"; 27lb

**Oak** Lead time: 10-12 weeks

**Walnut** Lead time: 10-12 weeks

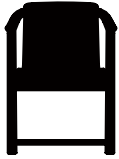
**¥457,000**

**¥640,000**



# Mandarin Dining Chair

by Neri&Hu

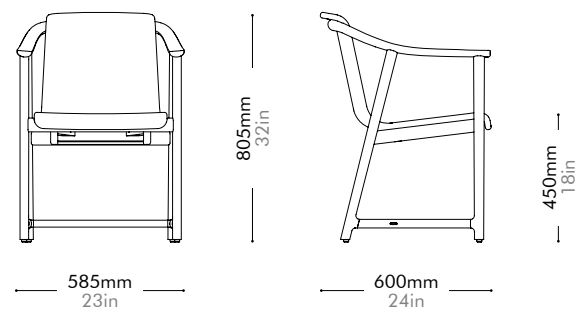


## MA-S211

Materials	Solid wood frame, stainless steel hairline gold, upholstered seat shell		
Dimensions	W585 x D600 x H805mm; SH: 450mm   W23" x D24" x H32"; SH: 18"		
Weight	9.7kg   21lb		
Upholstery	1.1M   19.8SF		
Shipping Volume	0.41CBM		
Pkg Dimensions	FCL	W701 x D676 x H866mm; 15.74kg   W28" x D27" x H34"; 35lb	
	LCL/AIR	W741 x D716 x H956mm; 21.91kg   W29" x D28" x H38"; 48lb	

<b>Oak</b>		Lead time: 10-12 weeks
COM/COL		<b>¥255,000</b>
Fabric	C	<b>¥255,000</b>
	B	<b>¥275,000</b>
	A	<b>¥281,000</b>
Leather	C	<b>¥274,000</b>
	B	<b>¥292,000</b>
	A	<b>¥310,000</b>
PU Leather		<b>¥255,000</b>

<b>Walnut</b>		Lead time: 10-12 weeks
COM/COL		<b>¥307,000</b>
Fabric	C	<b>¥307,000</b>
	B	<b>¥326,000</b>
	A	<b>¥333,000</b>
Leather	C	<b>¥326,000</b>
	B	<b>¥344,000</b>
	A	<b>¥361,000</b>
PU Leather		<b>¥307,000</b>



# Mandarin Lounge Chair

by Neri&Hu



## MA-S111

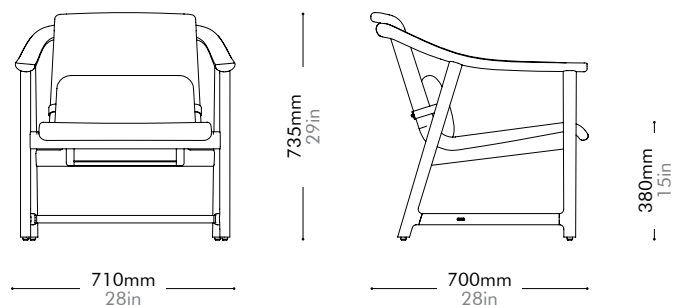
Materials	Solid wood frame, stainless steel hairline gold, upholstered seat shell	
Dimensions	W710 x D700 x H735mm; SH: 380mm   W28" x D28" x H29"; SH: 15"	
Weight	12.8kg   28lb	
Upholstery	1.3M   28.6SF	
Shipping Volume	0.49CBM	
Pkg Dimensions	FCL	W775 x D765 x H820mm; 19.12kg   W31" x D30" x H32"; 42lb
	LCL/AIR	W795 x D785 x H915mm; 26.37kg   W31" x D31" x H36"; 58lb

### Oak Lead time: 10-12 weeks

COM/COL		<b>¥300,000</b>
Fabric	C	<b>¥300,000</b>
	B	<b>¥325,000</b>
	A	<b>¥334,000</b>
Leather	C	<b>¥336,000</b>
	B	<b>¥367,000</b>
	A	<b>¥397,000</b>
PU Leather		<b>¥300,000</b>

### Walnut Lead time: 10-12 weeks

COM/COL		<b>¥355,000</b>
Fabric	C	<b>¥355,000</b>
	B	<b>¥380,000</b>
	A	<b>¥389,000</b>
Leather	C	<b>¥391,000</b>
	B	<b>¥423,000</b>
	A	<b>¥452,000</b>
PU Leather		<b>¥355,000</b>



# Mandarin Bench by Neri&Hu



## MA-S610

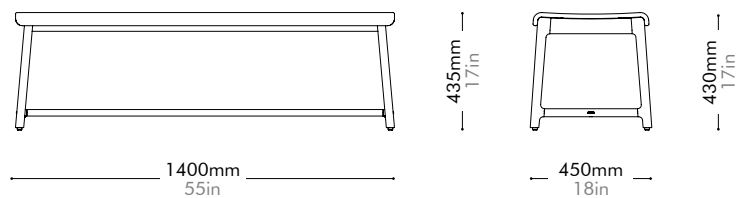
Materials	Solid wood frame, stainless steel hairline gold, upholstered seat shell		
Dimensions	W1400 x D450 x H435mm; SH: 430mm   W55" x D18" x H17"; SH: 17"		
Weight	14.0kg   31lb		
Upholstery	1.4M   30.8SF		
Shipping Volume	0.17CBM		
Pkg Dimensions	FCL	W1465 x D515 x H230mm; 17.16kg   W58" x D20" x H9"; 38lb	
	LCL/AIR	W1485 x D535 x H325mm; 26.39kg   W58" x D21" x H13"; 58lb	

### Oak Lead time: 10-12 weeks

COM/COL		<b>¥225,000</b>
Fabric	C	<b>¥225,000</b>
	B	<b>¥251,000</b>
	A	<b>¥260,000</b>
Leather	C	<b>¥262,000</b>
	B	<b>¥295,000</b>
	A	<b>¥325,000</b>
PU Leather		<b>¥225,000</b>

### Walnut Lead time: 10-12 weeks

COM/COL		<b>¥254,000</b>
Fabric	C	<b>¥254,000</b>
	B	<b>¥280,000</b>
	A	<b>¥290,000</b>
Leather	C	<b>¥292,000</b>
	B	<b>¥324,000</b>
	A	<b>¥354,000</b>
PU Leather		<b>¥254,000</b>



# Mandarin Dining Table W2100 by Neri&Hu



## MA-T410-2100

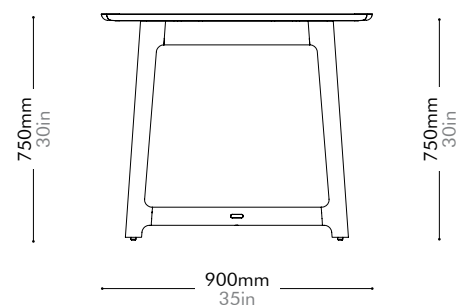
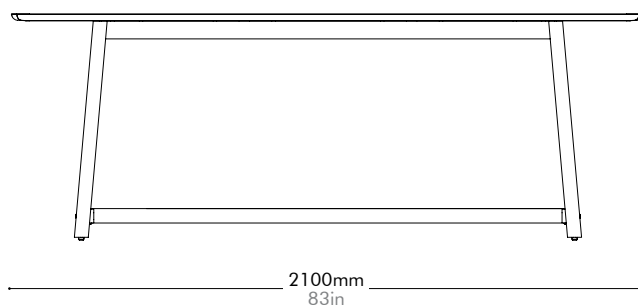
Materials	Solid wood frame, wood veneer top, stainless steel hairline gold, blackened stainless steel		
Dimensions	W2100 x D900 x H750mm   W83" x D35" x H30"		
Weight	44.0kg   97lb		
Upholstery			
Shipping Volume	0.32+0.12CBM		
Pkg Dimensions	FCL	W2180 x D980 x H150mm; 40.58kg   W86" x D39" x H6"; 89lb	
		W820 x D800 x H180mm; 12.45kg   W32" x D31" x H7"; 27lb	
	LCL/AIR	W2200 x D1000 x H245mm; 66.15kg   W87" x D39" x H9"; 146lb	
		W840 x D820 x H275mm; 20.45kg   W33" x D32" x H11"; 45lb	

**Oak** Lead time: 10-12 weeks

¥371,000

**Walnut** Lead time: 10-12 weeks

¥517,000



# Mandarin Dining Table W2400

by Neri&Hu



## MA-T410-2400

Materials	Solid wood frame, wood veneer top, stainless steel hairline gold, blackened stainless steel		
Dimensions	W2400 x D900 x H750mm   W94" x D35" x H30"		
Weight	48.0kg   106lb		
Upholstery			
Shipping Volume	0.36+0.12CBM		
Pkg Dimensions	FCL	W2480 x D980 x H150mm; 45.43kg   W98" x D39" x H6"; 100lb	
		W820 x D800 x H180mm; 12.45kg   W32" x D31" x H7"; 27lb	
	LCL/AIR	W2500 x D1000 x H245mm; 74.48kg   W98" x D39" x H10"; 164lb	
		W840 x D820 x H275mm; 20.45kg   W33" x D32" x H11"; 45lb	

**Oak**      Lead time: 10-12 weeks

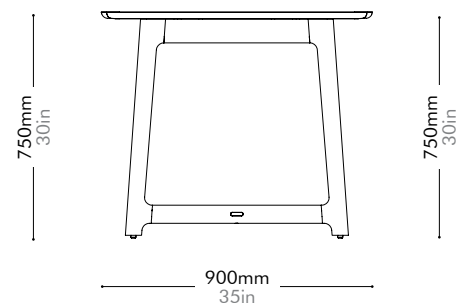
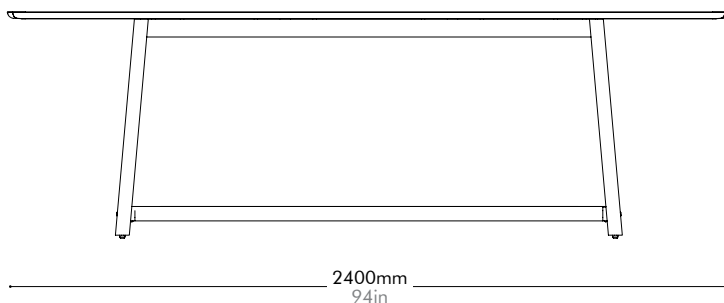
---

**¥398,000**

**Walnut**      Lead time: 10-12 weeks

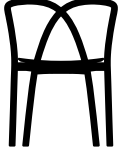
---

**¥559,000**



# Ming Chair

by Neri&Hu



## MI-S211

Materials	Solid wood		
Dimensions	W560 x D570 x H770mm; SH: 450mm   W22" x D22" x H30"; SH: 18"		
Weight	5.0kg   11lb		
Upholstery			
Shipping Volume	0.34CBM		
Pkg Dimensions	FCL	W625 x D635 x H855mm; 10.51kg   W25" x D25" x H34"; 23lb	
	LCL/AIR	W645 x D655 x H875mm; 15.42kg   W25" x D26" x H34"; 34lb	

**Oak**      Lead time: 10-12 weeks

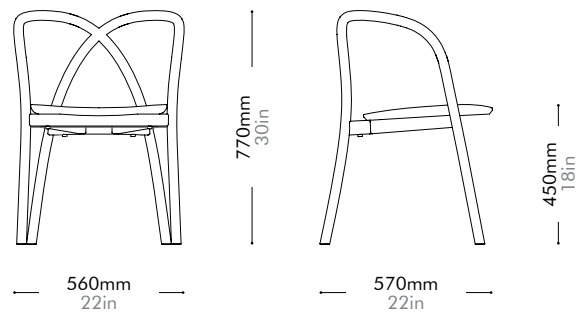
---

**¥167,000**

**Walnut**      Lead time: 10-12 weeks

---

**¥208,000**



# Ori

## Dining Chair

by Hallgeir  
Homstvedt

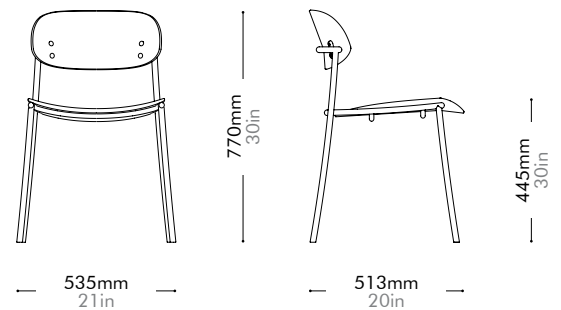


### OR-S210

Materials	Steel black powder coat matt, wood veneer seat & back		
Dimensions	W535 x D513 x H770mm; SH: 445mm   W21" x D20" x H30"; SH: 18"		
Weight	5.25kg   12lb		
Upholstery			
Shipping Volume	0.30CBM		
Pkg Dimensions	FCL	W595 x D600 x H845mm; 10.45kg   W23" x D24" x H33"; 23lb	
	LCL/AIR	W635 x D640 x H935mm; 15.17kg   W25" x D25" x H37"; 33lb	

**Oak** Lead time: 10-12 weeks  
**¥76,000**

**Walnut** Lead time: 10-12 weeks  
**¥80,000**





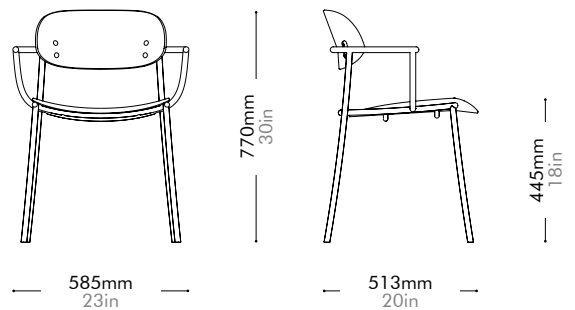
# Ori Dining ArmChair by Hallgeir Homstvedt



## OR-S211

Materials	Steel black powder coat matt, wood veneer seat & back
Dimensions	W585x D513 x H770mm; SH: 445mm   W23" x D20" x H30"; SH: 18"
Weight	5.85kg   13lb
Upholstery	
Shipping Volume	0.33CBM
Pkg Dimensions	FCL W650 x D600 x H845mm; 11.25kg   W26" x D24" x H33"; 24lb
	LCL/AIR W690 x D640 x H935mm; 16.38kg   W27" x D25" x H37"; 36lb

<b>Oak</b>	Lead time: 10-12 weeks	<b>Walnut</b>	Lead time: 10-12 weeks
	<b>¥80,000</b>		<b>¥84,000</b>



# Pagoda Chair Upholstery - Wood Leg by BassamFellows



## PA-S210-WD

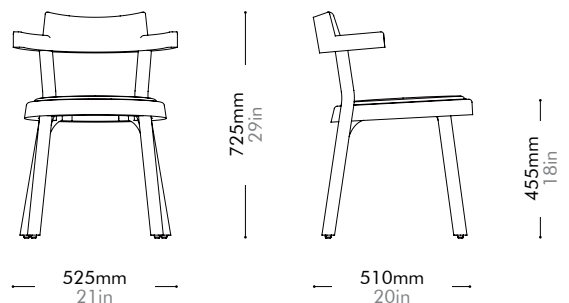
Materials	Solid wood frame, upholstery, aluminum alloy		
Dimensions	W525 x D510 x H725mm; SH: 455mm   W21" x D20" x H29"; SH: 18"		
Weight	6.5kg   14lb		
Upholstery	0.5M   5.0SF		
Shipping Volume	0.06CBM		
Pkg Dimensions	FCL	W705 x D567 x H155mm; 8.05kg   W28" x D22" x H6"; 18lb	
	LCL/AIR	W745 x D607 x H245mm; 13.31kg   W29" x D27" x H10"; 29lb	

### Oak Lead time: 10-12 weeks

COM/COL		<b>¥132,000</b>
Fabric	C	<b>¥132,000</b>
	B	<b>¥139,000</b>
	A	<b>¥141,000</b>
Leather	C	<b>¥139,000</b>
	B	<b>¥145,000</b>
	A	<b>¥151,000</b>
PU Leather		<b>¥132,000</b>

### Walnut Lead time: 10-12 weeks

COM/COL		<b>¥167,000</b>
Fabric	C	<b>¥167,000</b>
	B	<b>¥173,000</b>
	A	<b>¥175,000</b>
Leather	C	<b>¥173,000</b>
	B	<b>¥179,000</b>
	A	<b>¥185,000</b>
PU Leather		<b>¥167,000</b>



# Pagoda Chair Upholstery - Silver Aluminum Leg by BassamFellows

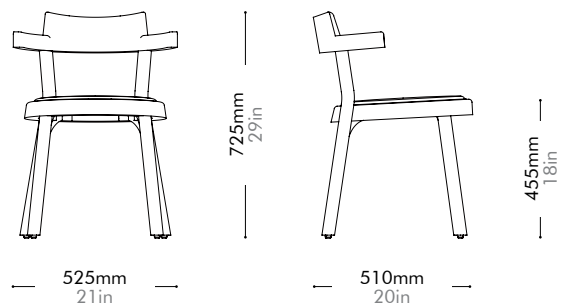


## PA-S210-AL1

Materials	Solid wood frame, upholstery, aluminum alloy		
Dimensions	W525 x D510 x H725mm; SH: 455mm   W21" x D20" x H29"; SH: 18"		
Weight	6.5kg   14lb		
Upholstery	0.5M   5.0SF		
Shipping Volume	0.06CBM		
Pkg Dimensions	FCL	W705 x D567 x H155mm; 8.05kg   W28" x D22" x H6"; 18lb	
	LCL/AIR	W745 x D607 x H245mm; 13.31kg   W29" x D27" x H10"; 29lb	

<b>Oak</b>		Lead time: 10-12 weeks
COM/COL		<b>¥145,000</b>
Fabric	C	<b>¥145,000</b>
	B	<b>¥151,000</b>
	A	<b>¥153,000</b>
Leather	C	<b>¥151,000</b>
	B	<b>¥157,000</b>
	A	<b>¥162,000</b>
PU Leather		<b>¥145,000</b>

<b>Walnut</b>		Lead time: 10-12 weeks
COM/COL		<b>¥175,000</b>
Fabric	C	<b>¥175,000</b>
	B	<b>¥181,000</b>
	A	<b>¥183,000</b>
Leather	C	<b>¥181,000</b>
	B	<b>¥187,000</b>
	A	<b>¥193,000</b>
PU Leather		<b>¥175,000</b>



# Pagoda Chair Upholstery - Gold Aluminum Leg by BassamFellows



## PA-S210-AL2

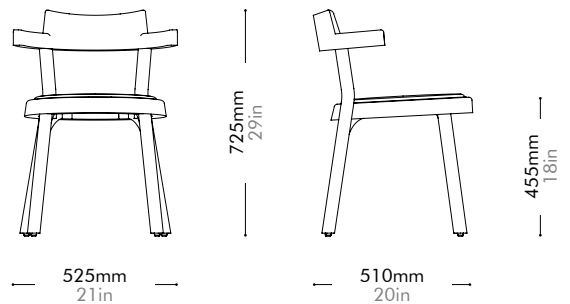
Materials	Solid wood frame, upholstery, aluminum alloy		
Dimensions	W525 x D510 x H725mm; SH: 455mm   W21" x D20" x H29"; SH: 18"		
Weight	6.5kg   14lb		
Upholstery	0.5M   5.0SF		
Shipping Volume	0.06CBM		
Pkg Dimensions	FCL	W705 x D567 x H155mm; 8.05kg   W28" x D22" x H6"; 18lb	
	LCL/AIR	W745 x D607 x H245mm; 13.31kg   W29" x D27" x H10"; 29lb	

### Oak Lead time: 10-12 weeks

COM/COL		<b>¥145,000</b>
Fabric	C	<b>¥145,000</b>
	B	<b>¥151,000</b>
	A	<b>¥153,000</b>
Leather	C	<b>¥151,000</b>
	B	<b>¥157,000</b>
	A	<b>¥162,000</b>
PU Leather		<b>¥145,000</b>

### Walnut Lead time: 10-12 weeks

COM/COL		<b>¥175,000</b>
Fabric	C	<b>¥175,000</b>
	B	<b>¥181,000</b>
	A	<b>¥183,000</b>
Leather	C	<b>¥181,000</b>
	B	<b>¥187,000</b>
	A	<b>¥193,000</b>
PU Leather		<b>¥175,000</b>



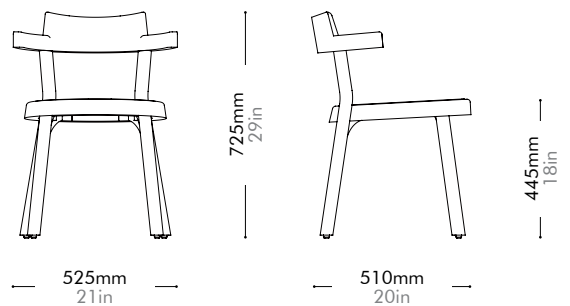
# Pagoda Chair Cane - Wood Leg by BassamFellows



## PA-S220-WD

Materials	Solid wood frame, cane, aluminum alloy		
Dimensions	W525 x D510 x H725mm; SH: 445mm   W21" x D20" x H29"; SH: 18"		
Weight	5.5kg   12lb		
Upholstery			
Shipping Volume	0.06CBM		
Pkg Dimensions	FCL	W705 x D567 x H155mm; 7.05kg   W28" x D22" x H6"; 16lb	
	LCL/AIR	W745 x D607 x H245mm; 12.31kg   W29" x D27" x H10"; 27lb	

<b>Oak</b>	Lead time: 10-12 weeks	<b>Walnut</b>	Lead time: 10-12 weeks
	<b>¥145,000</b>		<b>¥178,000</b>



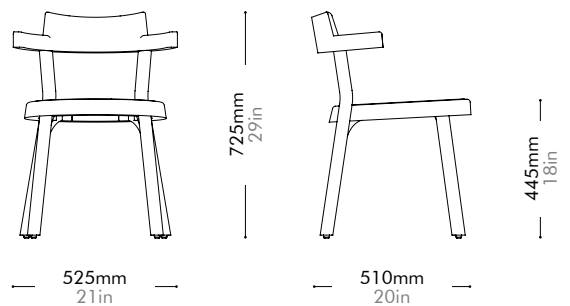
# Pagoda Chair Cane - Silver Aluminum Leg by BassamFellows



## PA-S220-AL1

Materials	Solid wood frame, cane, aluminum alloy		
Dimensions	W525 x D510 x H725mm; SH: 445mm   W21" x D20" x H29"; SH: 18"		
Weight	5.5kg   12lb		
Upholstery			
Shipping Volume	0.06CBM		
Pkg Dimensions	FCL	W705 x D567 x H155mm; 7.05kg   W28" x D22" x H6"; 16lb	
	LCL/AIR	W745 x D607 x H245mm; 12.31kg   W29" x D27" x H10"; 27lb	

<b>Oak</b>	Lead time: 10-12 weeks	<b>Walnut</b>	Lead time: 10-12 weeks
	<b>¥171,000</b>		<b>¥194,000</b>



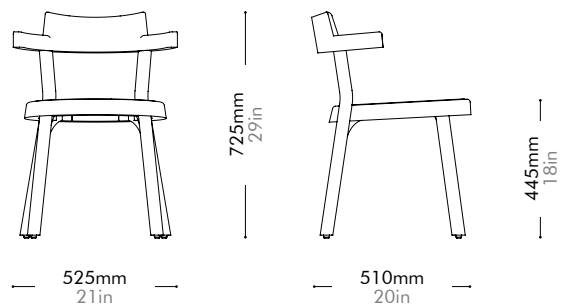
# Pagoda Chair Cane - Gold Aluminum Leg by BassamFellows



## PA-S220-AL2

Materials	Solid wood frame, cane, aluminum alloy		
Dimensions	W525 x D510 x H725mm; SH: 445mm   W21" x D20" x H29"; SH: 18"		
Weight	5.5kg   12lb		
Upholstery			
Shipping Volume	0.06CBM		
Pkg Dimensions	FCL	W705 x D567 x H155mm; 7.05kg   W28" x D22" x H6"; 16lb	
	LCL/AIR	W745 x D607 x H245mm; 12.31kg   W29" x D27" x H10"; 27lb	

<b>Oak</b>	Lead time: 10-12 weeks	<b>Walnut</b>	Lead time: 10-12 weeks
	<b>¥171,000</b>		<b>¥194,000</b>



# QT Chair

by Nic Graham



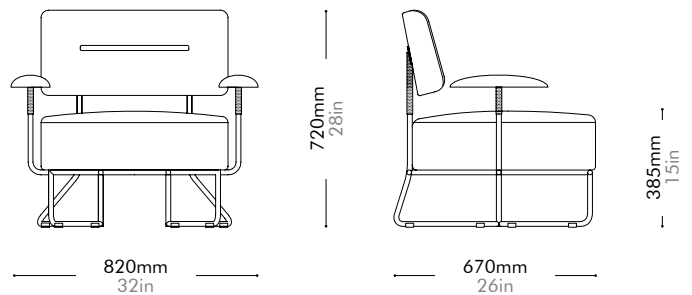
## QT-S121

Materials	Stainless steel hairline gold & steel black powder coat matt, solid wood armrest, upholstery		
Dimensions	W820 x D670 x H720mm; SH: 385mm   W32" x D26" x H28"; SH: 15"		
Weight	18.5kg   41lb		
Upholstery	1.7M   33.0SF		
Shipping Volume	0.52CBM		
Pkg Dimensions	FCL	W885 x D735 x H805mm; 25.01kg   W35" x D29" x H32"; 55lb	
	LCL/AIR	W905 x D755 x H900mm; 32.95kg   W36" x D30" x H35"; 73lb	

### Walnut

Lead time: 10-12 weeks

COM/COL		<b>¥252,000</b>
Fabric	C	<b>¥252,000</b>
	B	<b>¥287,000</b>
	A	<b>¥297,000</b>
Leather	C	<b>¥296,000</b>
	B	<b>¥329,000</b>
	A	<b>¥361,000</b>
PU Leather		<b>¥252,000</b>





# QT Coffee Table C450 by Nic Graham



## QT-T210-450

Materials	Wood veneer top, stainless steel hairline gold & steel black powder coat matt		
Dimensions	C450 x H450mm   C18" x H18"		
Weight	4.0kg   9lb		
Upholstery			
Shipping Volume	0.14CBM		
Pkg Dimensions	FCL	W515 x D515 x H535mm; 6.76kg   W20" x D20" x H21"; 15lb	
	LCL/AIR	W535 x D535 x H630mm; 10.08kg   W21" x D21" x H25"; 22lb	

**Oak**      Lead time: 10-12 weeks  

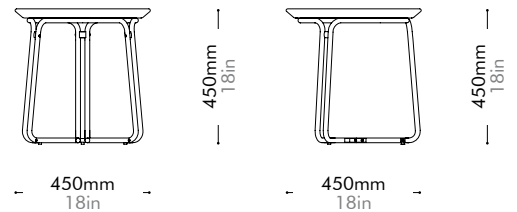

---

**¥130,000**

**Walnut**      Lead time: 10-12 weeks  


---

**¥139,000**



# QT Coffee Table C600 by Nic Graham

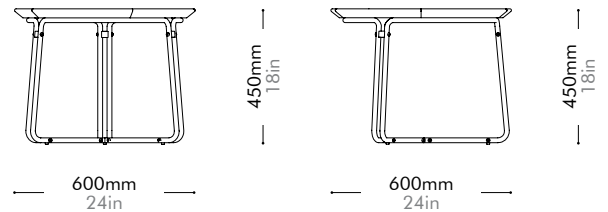


## QT-T210-600

Materials	Wood veneer top, stainless steel hairline gold & steel black powder coat matt		
Dimensions	C600 x H450mm   C24" x H18"		
Weight	7.0kg   15lb		
Upholstery			
Shipping Volume	0.24CBM		
Pkg Dimensions	FCL	W665 x D665 x H535mm; 10.60kg   W26" x D26" x H21"; 23lb	
	LCL/AIR	W685 x D685 x H630mm; 16.05kg   W27" x D27" x H25"; 35lb	

<b>Oak</b>	Lead time: 10-12 weeks
	<b>¥168,000</b>

<b>Walnut</b>	Lead time: 10-12 weeks
	<b>¥180,000</b>



# Rén Dining Chair by Space Copenhagen

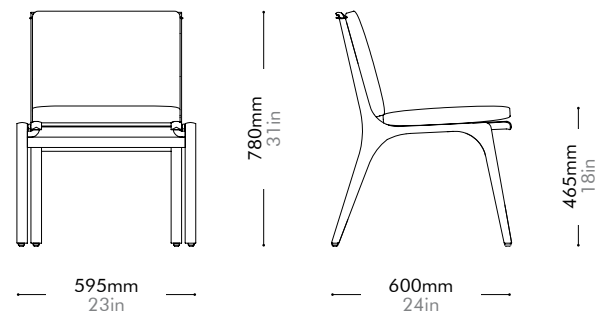


## RN-S210

Materials	Solid wood legs, stainless steel hairline gold, wood veneer frame, upholstered cushion, down filling		
Dimensions	W595 x D600 x H780mm; SH: 465mm   W23" x D24" x H31"; SH: 18"		
Weight	8.2kg   18lb		
Upholstery	1.1M   22.0SF		
Shipping Volume	0.40CBM		
Pkg Dimensions	FCL	W680 x D680 x H870mm; 14.21kg   W27" x D27" x H34"; 31lb	
	LCL/AIR	W700 x D700 x H965mm; 19.90kg   W28" x D28" x H38"; 44b	

<b>Oak</b>		Lead time: 10-12 weeks
COM/COL		<b>¥193,000</b>
Fabric	C	<b>¥193,000</b>
	B	<b>¥231,000</b>
	A	<b>¥238,000</b>
Leather	C	<b>¥237,000</b>
	B	<b>¥260,000</b>
	A	<b>¥282,000</b>
PU Leather		<b>¥193,000</b>

<b>Walnut</b>		Lead time: 10-12 weeks
COM/COL		<b>¥224,000</b>
Fabric	C	<b>¥224,000</b>
	B	<b>¥261,000</b>
	A	<b>¥268,000</b>
Leather	C	<b>¥267,000</b>
	B	<b>¥290,000</b>
	A	<b>¥311,000</b>
PU Leather		<b>¥224,000</b>



# Rén Dining Armchair by Space Copenhagen

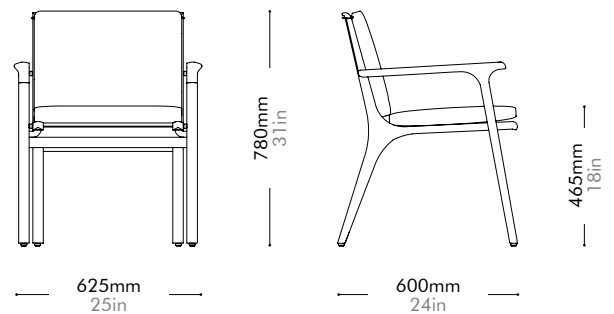


## RN-S211

Materials	Solid wood legs, stainless steel hairline gold, wood veneer frame, upholstered cushion, down filling		
Dimensions	W625 x D600 x H780mm; SH: 465mm   W25" x D24" x H31"; SH: 18"		
Weight	8.5kg   19lb		
Upholstery	1.1M   22.0SF		
Shipping Volume	0.40CBM		
Pkg Dimensions	FCL	W680 x D680 x H870mm; 14.51kg   W27" x D27" x H34"; 32lb	
	LCL/AIR	W700 x D700 x H965mm; 20.20kg   W28" x D28" x H38"; 45lb	

<b>Oak</b>		Lead time: 10-12 weeks
COM/COL		<b>¥211,000</b>
Fabric	C	<b>¥211,000</b>
	B	<b>¥240,000</b>
	A	<b>¥247,000</b>
Leather	C	<b>¥246,000</b>
	B	<b>¥267,000</b>
	A	<b>¥287,000</b>
PU Leather		<b>¥211,000</b>

<b>Walnut</b>		Lead time: 10-12 weeks
COM/COL		<b>¥250,000</b>
Fabric	C	<b>¥250,000</b>
	B	<b>¥272,000</b>
	A	<b>¥279,000</b>
Leather	C	<b>¥278,000</b>
	B	<b>¥299,000</b>
	A	<b>¥319,000</b>
PU Leather		<b>¥250,000</b>



# Rén Lounge Chair Small

by Space Copenhagen

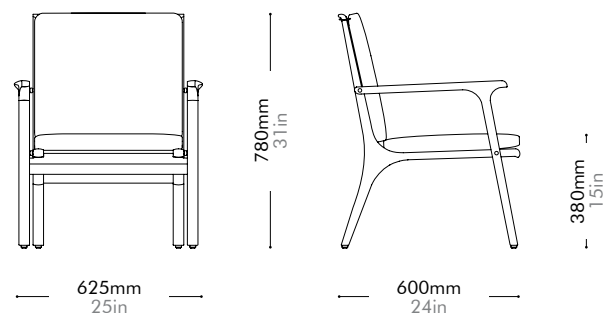


## RN-S111-S

Materials	Solid wood legs, stainless steel hairline gold, wood veneer frame, upholstered cushion, down filling		
Dimensions	W625 x D600 x H780mm; SH: 380mm   W25" x D24" x H31"; SH: 15"		
Weight	8.5kg   19lb		
Upholstery	1.1M   24.2SF		
Shipping Volume	0.40CBM		
Pkg Dimensions	FCL	W680 x D680 x H870mm; 14.51kg   W27" x D27" x H34"; 32lb	
	LCL/AIR	W700 x D700 x H965mm; 20.20kg   W28" x D28" x H38"; 45lb	

<b>Oak</b>		Lead time: 10-12 weeks
COM/COL		<b>¥247,000</b>
Fabric	C	<b>¥247,000</b>
	B	<b>¥269,000</b>
	A	<b>¥276,000</b>
Leather	C	<b>¥279,000</b>
	B	<b>¥307,000</b>
	A	<b>¥333,000</b>
PU Leather		<b>¥247,000</b>

<b>Walnut</b>		Lead time: 10-12 weeks
COM/COL		<b>¥281,000</b>
Fabric	C	<b>¥281,000</b>
	B	<b>¥303,000</b>
	A	<b>¥311,000</b>
Leather	C	<b>¥314,000</b>
	B	<b>¥342,000</b>
	A	<b>¥368,000</b>
PU Leather		<b>¥281,000</b>



# Rén Lounge Chair Large

by Space Copenhagen

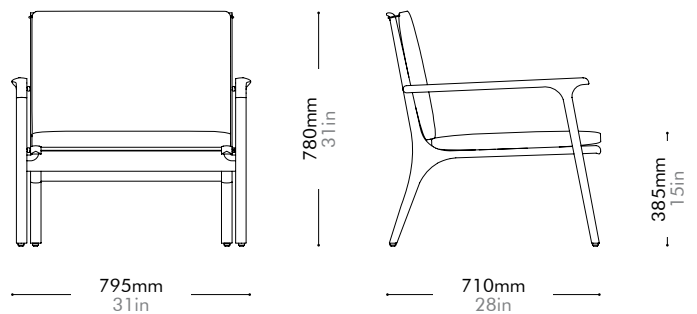


## RN-S111-L

Materials	Solid wood legs, stainless steel hairline gold, wood veneer frame, upholstered cushion, down filling		
Dimensions	W795 x D710 x H780mm; SH: 385mm   W31" x D28" x H31"; SH: 15"		
Weight	12.5kg   28lb		
Upholstery	1.3M   27.5SF		
Shipping Volume	0.59CBM		
Pkg Dimensions	FCL	W900 x D800 x H820mm; 19.47kg   W35" x D31" x H32"; 43lb	
	LCL/AIR	W920 x D820 x H915mm; 28.23kg   W36" x D32" x H36"; 62lb	

<b>Oak</b>		Lead time: 10-12 weeks
COM/COL		<b>¥272,000</b>
Fabric	C	<b>¥272,000</b>
	B	<b>¥298,000</b>
	A	<b>¥308,000</b>
Leather	C	<b>¥308,000</b>
	B	<b>¥340,000</b>
	A	<b>¥369,000</b>
PU Leather		<b>¥272,000</b>

<b>Walnut</b>		Lead time: 10-12 weeks
COM/COL		<b>¥315,000</b>
Fabric	C	<b>¥315,000</b>
	B	<b>¥342,000</b>
	A	<b>¥351,000</b>
Leather	C	<b>¥351,000</b>
	B	<b>¥383,000</b>
	A	<b>¥413,000</b>
PU Leather		<b>¥315,000</b>



# Rén Lounge Chair Two Seater by Space Copenhagen

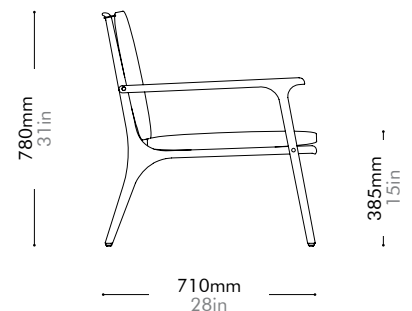
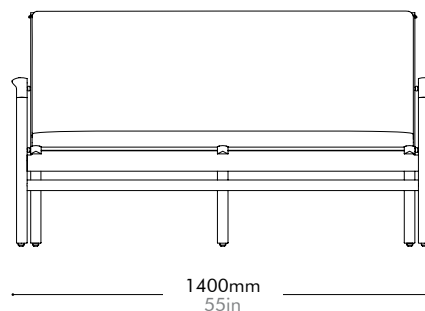


## RN-S121

Materials	Solid wood legs, stainless steel hairline gold, wood veneer frame, upholstered cushion, down filling		
Dimensions	W1400 x D710 x H780mm; SH: 385mm   W55" x D28" x H31"; SH: 15"		
Weight	23.0kg   51lb		
Upholstery	2.8M   55.0SF		
Shipping Volume	1.04CBM		
Pkg Dimensions	FCL	W1485 x D795 x H885mm; 32.95kg   W58" x D58" x H35"; 73lb	
	LCL/AIR	W1505 x D815 x H980mm; 47.21kg   W59" x D59" x H39"; 104lb	

<b>Oak</b>		Lead time: 10-12 weeks
COM/COL		<b>¥454,000</b>
Fabric	C	<b>¥454,000</b>
	B	<b>¥498,000</b>
	A	<b>¥513,000</b>
Leather	C	<b>¥559,000</b>
	B	<b>¥641,000</b>
	A	<b>¥718,000</b>
PU Leather		<b>¥454,000</b>

<b>Walnut</b>		Lead time: 10-12 weeks
COM/COL		<b>¥538,000</b>
Fabric	C	<b>¥538,000</b>
	B	<b>¥582,000</b>
	A	<b>¥597,000</b>
Leather	C	<b>¥642,000</b>
	B	<b>¥725,000</b>
	A	<b>¥802,000</b>
PU Leather		<b>¥538,000</b>



# Rén Dining Table W1800

by Space  
Copenhagen



## RN-T411-1800

Materials	Solid wood legs, wood veneer top, stainless steel hairline gold, steel black powder coat matt		
Dimensions	W1800 x D1000 x H730mm   W71" x D39" x H29"		
Weight	47.0kg   90lb		
Upholstery			
Shipping Volume	0.25 + 0.51CBM		
Pkg Dimensions	FCL	W1880 x D1080 x H125mm; 47.04kg   W74" x D43" x H5"; 104lb	
		W910 x D720 x H785mm; 12.38kg   W36" x D28" x H31"; 27lb	
	LCL/AIR	W1900 x D1100 x H220mm; 71.33kg   W75" x D43" x H9"; 157lb	
		W930 x D740 x H880mm; 20.37kg   W37" x D29" x H35"; 45lb	

**Oak**      Lead time: 10-12 weeks

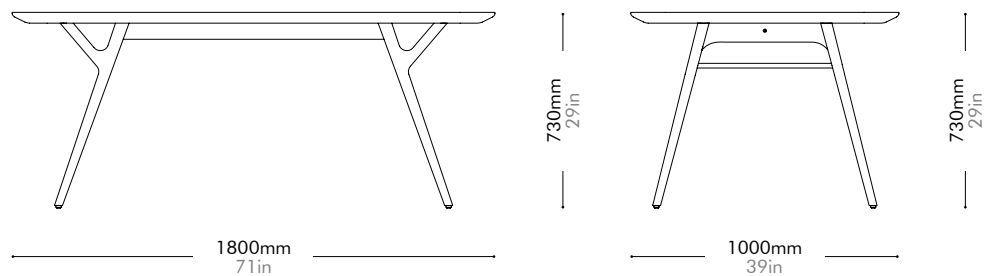
---

**¥376,000**

**Walnut**      Lead time: 10-12 weeks

---

**¥440,000**





# Rén Dining Table W1800 - Stone Top by Space Copenhagen



## RN-T411-1800-ST

Materials	Solid wood legs, stone top, stainless steel hairline gold, steel black powder coat matt		
Dimensions	W1800 x D1000 x H730mm   W71" x D39" x H29"		
Weight	60.0kg   132lb		
Upholstery			
Shipping Volume	0.30 + 0.51CBM		
Pkg Dimensions	FCL	W1900 x D1100 x H145mm; 60.37kg   W75" x D43" x H6"; 133lb	
		W910 x D720 x H785mm; 12.38kg   W36" x D28" x H31"; 27lb	
	LCL/AIR	W1920 x D1120 x H240mm; 85.35kg   W76" x D44" x H9"; 188lb	
		W930 x D740 x H880mm; 20.37kg   W37" x D29" x H35"; 45lb	

**Oak** Lead time: 10-12 weeks

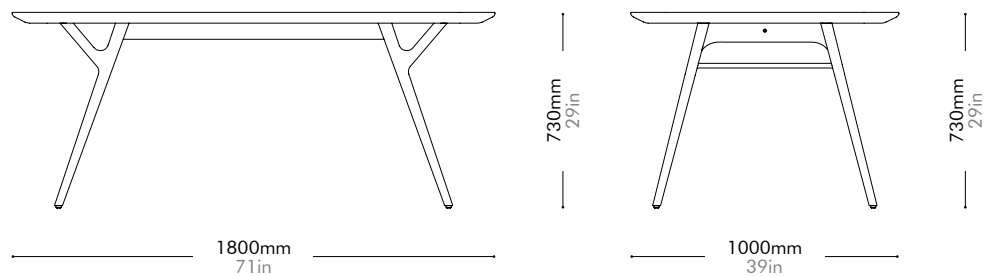
Stone B **¥627,000**

Stone A **¥790,000**

**Walnut** Lead time: 10-12 weeks

Stone B **¥654,000**

Stone A **¥817,000**



# Rén Dining Table W2100

by Space  
Copenhagen



## RN-T411-2100

Materials	Solid wood legs, wood veneer top, stainless steel hairline gold, steel black powder coat matt		
Dimensions	W2100 x D1100 x H730mm   W83" x D43" x H29"		
Weight	57.0kg   112lb		
Upholstery			
Shipping Volume	0.38 + 0.51CBM		
Pkg Dimensions	FCL	W2200 x D1200 x H145mm; 58.89kg   W87" x D47" x H6"; 130lb	
		W910 x D720 x H785mm; 12.38kg   W36" x D28" x H31"; 27lb	
	LCL/AIR	W2240 x D1240 x H235mm; 91.16kg   W88" x D49" x H9"; 201lb	
		W930 x D740 x H880mm; 20.37kg   W37" x D29" x H35"; 45lb	

**Oak**      Lead time: 10-12 weeks

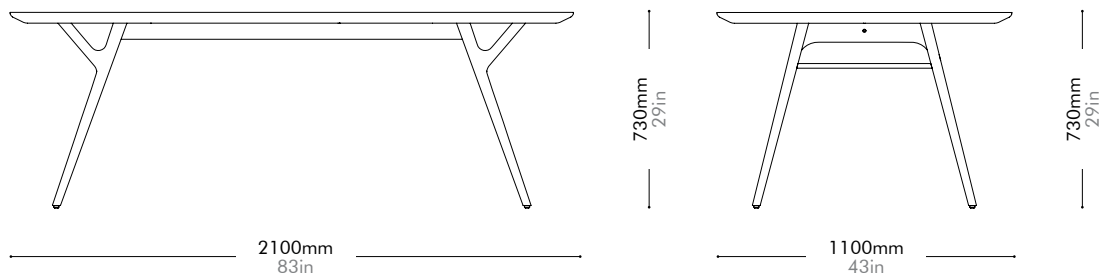
---

**¥414,000**

**Walnut**      Lead time: 10-12 weeks

---

**¥478,000**



# Rén Dining Table W2100 - Stone Top by Space Copenhagen

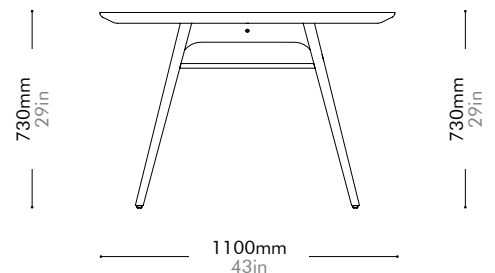
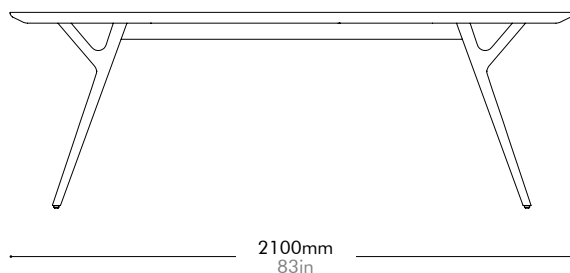


## RN-T411-2100-ST

Materials	Solid wood legs, stone top, stainless steel hairline gold, steel black powder coat matt		
Dimensions	W2100 x D1100 x H730mm   W83" x D43" x H29"		
Weight	74.0kg   163lb		
Upholstery			
Shipping Volume	0.38 + 0.51CBM		
Pkg Dimensions	FCL	W2200 x D1200 x H145mm; 75.89kg   W87" x D47" x H6"; 167lb	
		W910 x D720 x H785mm; 12.38kg   W36" x D28" x H31"; 27lb	
	LCL/AIR	W2240 x D1240 x H235mm; 108.16kg   W88" x D49" x H9"; 238lb	
		W930 x D740 x H880mm; 20.37kg   W37" x D29" x H35"; 45lb	

<b>Oak</b>	Lead time: 10-12 weeks
Stone B	<b>¥723,000</b>
Stone A	<b>¥928,000</b>

<b>Walnut</b>	Lead time: 10-12 weeks
Stone B	<b>¥751,000</b>
Stone A	<b>¥955,000</b>



# Rén Dining Table W2600

by Space  
Copenhagen



## RN-T411-2600

Materials	Solid wood legs, wood veneer top, stainless steel hairline gold, steel black powder coat matt		
Dimensions	W2600 x D1100 x H730mm   W102" x D43" x H29"		
Weight	90.0kg   198lb		
Upholstery			
Shipping Volume	0.65 + 0.51CBM		
Pkg Dimensions	FCL	W2700 x D1200 x H200mm; 94.15kg   W106" x D47" x H8"; 208lb	
		W910 x D720 x H785mm; 12.38kg   W36" x D28" x H31"; 27lb	
	LCL/AIR	W2740 x D1240 x H290mm; 133.63kg   W108" x D49" x H11"; 295lb	
		W930 x D740 x H880mm; 20.37kg   W37" x D29" x H35"; 45lb	

**Oak**      Lead time: 10-12 weeks

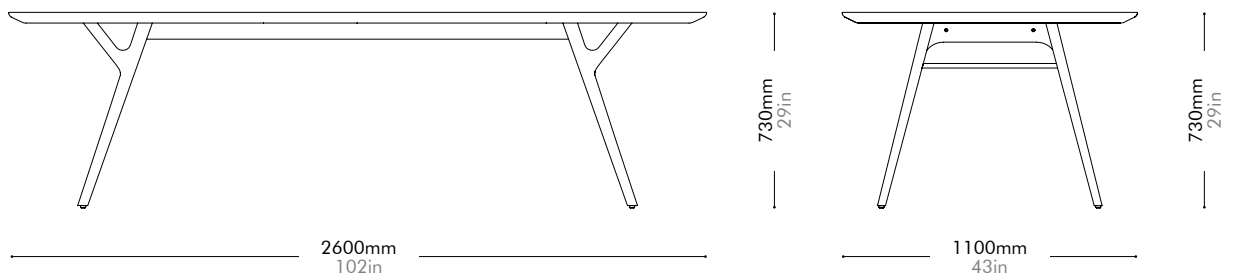
---

**¥524,000**

**Walnut**      Lead time: 10-12 weeks

---

**¥619,000**



# Rén Conference Table by Space Copenhagen



## RN-T610-3500

Materials	Solid wood legs, wood veneer top, stainless steel hairline gold, steel black powder coat matt	
Dimensions	W3500 x D1100 x H730mm   W138" x D43" x H29"	
Weight	108.0kg   238lb	
Upholstery		
Shipping Volume	0.86 + 0.51CBM	
Pkg Dimensions	FCL	W3600 x D1200 x H200mm; 115.30kg   W142" x D47" x H8"; 254lb
		W910 x D720 x H785mm; 12.38kg   W36" x D28" x H31"; 27lb
	LCL/AIR	W3640 x D1240 x H290mm; 167.75kg   W143" x D49" x H11"; 370lb
		W930 x D740 x H880mm; 20.37kg   W37" x D29" x H35"; 45lb

**Oak**      Lead time: 10-12 weeks

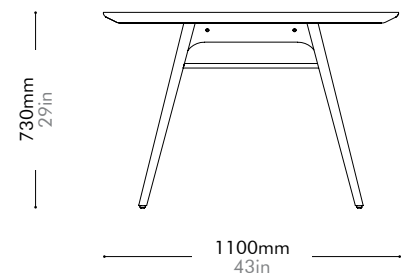
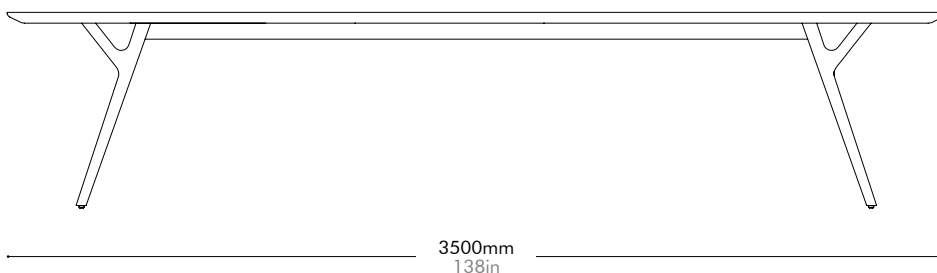
---

**¥626,000**

**Walnut**      Lead time: 10-12 weeks

---

**¥737,000**



# Rén Dining Table C1100

by Space  
Copenhagen



## RN-T420-1100

Materials	Solid wood legs, wood veneer top, stainless steel hairline gold, steel black powder coat matt		
Dimensions	C1100 x H730mm   C43" x H29"		
Weight	24.5kg   54lb		
Upholstery			
Shipping Volume	0.20CBM		
Pkg Dimensions	FCL	W1250 x D1250 x H130mm; 29.26kg   W49" x D49" x H5"; 65lb	
	LCL/AIR	W1270 x D1270 x H225mm; 48.0kg   W50" x D50" x H9"; 106lb	

**Oak**      Lead time: 10-12 weeks

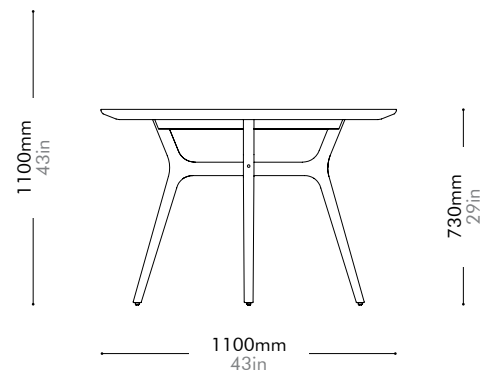
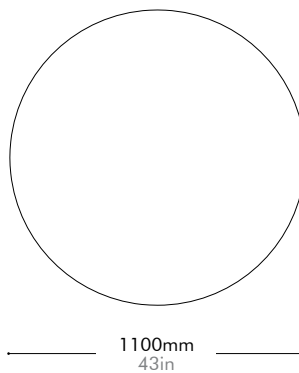
---

**¥302,000**

**Walnut**      Lead time: 10-12 weeks

---

**¥391,000**



# Rén Coffee Table by Space Copenhagen



## RN-T210-540

Materials	Solid wood legs, wood veneer top, stainless steel hairline gold		
Dimensions	φ 540 x H550mm   φ 21.3" x H21.7"		
Weight	8.0kg   17.6lb		
Upholstery			
Shipping Volume	0.23CBM		
Pkg Dimensions	FCL	W605 x D605 x H635mm; 11.84kg   W24" x D24" x H25"; 26lb	
	LCL/AIR	W625 x D625 x H655mm; 16.38kg   W25" x D25" x H26"; 36lb	

**Oak**      Lead time: 10-12 weeks  

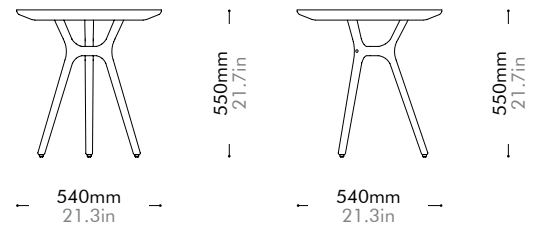

---

**¥143,000**

**Walnut**      Lead time: 10-12 weeks  


---

**¥177,000**



# Rén

## Side Table

by Space  
Copenhagen

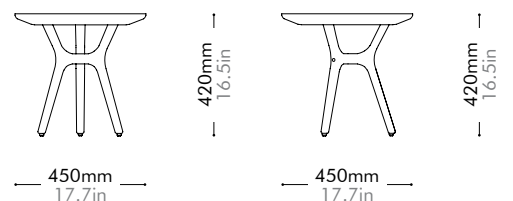


### RN-T110-450

Materials	Solid wood legs, wood veneer top, stainless steel hairline gold		
Dimensions	φ 450 x H420mm   φ 17.7" x H16.5"		
Weight	6.0kg   13.2lb		
Upholstery			
Shipping Volume	0.13CBM		
Pkg Dimensions	FCL	W515 x D515 x H505mm; 8.60kg   W20" x D20" x H20"; 19lb	
	LCL/AIR	W535 x D535 x H525mm; 11.93kg   W21" x D21" x H21"; 26lb	

<b>Oak</b>	Lead time: 10-12 weeks
	<b>¥124,000</b>

<b>Walnut</b>	Lead time: 10-12 weeks
	<b>¥147,000</b>





# Risom C275 Chair by Jens Risom



## RI-S220-WD

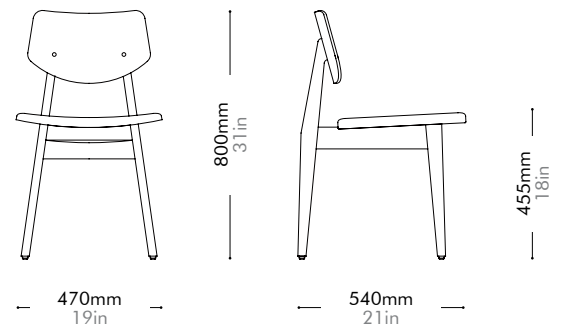
Materials	Solid wood frame, upholstery, stainless steel hairline brass		
Dimensions	W470 x D540 x H800mm; SH: 455mm   W19" x D21" x H31"; SH: 18"		
Weight	4.5kg   10lb		
Upholstery	0.6M   10.0SF		
Shipping Volume	0.29CBM		
Pkg Dimensions	FCL	W535 x D605 x H885mm; 9.79kg   W21" x D24" x H35"; 22lb	
	LCL/AIR	W575 x D645 x H975mm; 14.1kg   W23" x D25" x H38"; 31lb	

### Oak Lead time: 10-12 weeks

COM/COL		<b>¥130,000</b>
Fabric	C	<b>¥130,000</b>
	B	<b>¥143,000</b>
	A	<b>¥147,000</b>
Leather	C	<b>¥141,000</b>
	B	<b>¥152,000</b>
	A	<b>¥162,000</b>
PU Leather		<b>¥130,000</b>

### Walnut Lead time: 10-12 weeks

COM/COL		<b>¥146,000</b>
Fabric	C	<b>¥146,000</b>
	B	<b>¥159,000</b>
	A	<b>¥163,000</b>
Leather	C	<b>¥157,000</b>
	B	<b>¥168,000</b>
	A	<b>¥178,000</b>
PU Leather		<b>¥146,000</b>



# Risom C276 Chair by Jens Risom



## RI-S220-UP

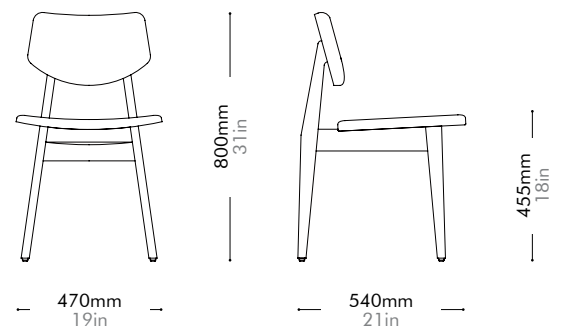
Materials	Solid wood frame, upholstery		
Dimensions	W470 x D540 x H800mm; SH: 455mm   W19" x D21" x H31"; SH: 18"		
Weight	4.5kg   10lb		
Upholstery	0.8M   12.0SF		
Shipping Volume	0.29CBM		
Pkg Dimensions	FCL	W535 x D605 x H885mm; 9.79kg   W21" x D24" x H35"; 22lb	
	LCL/AIR	W575 x D645 x H975mm; 14.1kg   W23" x D25" x H38"; 31lb	

### Oak Lead time: 10-12 weeks

COM/COL		<b>¥128,000</b>
Fabric	C	<b>¥128,000</b>
	B	<b>¥147,000</b>
	A	<b>¥154,000</b>
Leather	C	<b>¥140,000</b>
	B	<b>¥153,000</b>
	A	<b>¥166,000</b>
PU Leather		<b>¥128,000</b>

### Walnut Lead time: 10-12 weeks

COM/COL		<b>¥145,000</b>
Fabric	C	<b>¥145,000</b>
	B	<b>¥163,000</b>
	A	<b>¥170,000</b>
Leather	C	<b>¥156,000</b>
	B	<b>¥169,000</b>
	A	<b>¥182,000</b>
PU Leather		<b>¥145,000</b>



# Risom C140 Chair (1955) by Jens Risom

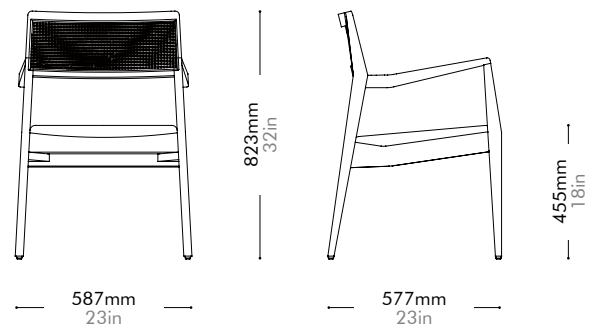


## RI-S211-CA

Materials	Solid wood frame, upholstery and cane		
Dimensions	W587 x D577 x H823mm; SH: 455mm   W23" x D23" x H32"; SH: 18"		
Weight	7.8kg   17lb		
Upholstery	1.0M   16.5SF		
Shipping Volume	0.40CBM		
Pkg Dimensions	FCL	W680 x D680 x H870mm; 13.81kg   W27" x D27" x H34"; 30lb	
	LCL/AIR	W700 x D700 x H965mm; 19.50kg   W28" x D28" x H38"; 43lb	

<b>Oak</b>		Lead time: 10-12 weeks
COM/COL		<b>¥200,000</b>
Fabric	C	<b>¥200,000</b>
	B	<b>¥214,000</b>
	A	<b>¥219,000</b>
Leather	C	<b>¥209,000</b>
	B	<b>¥219,000</b>
	A	<b>¥228,000</b>
PU Leather		<b>¥200,000</b>

<b>Walnut</b>		Lead time: 10-12 weeks
COM/COL		<b>¥234,000</b>
Fabric	C	<b>¥234,000</b>
	B	<b>¥248,000</b>
	A	<b>¥253,000</b>
Leather	C	<b>¥243,000</b>
	B	<b>¥253,000</b>
	A	<b>¥276,000</b>
PU Leather		<b>¥234,000</b>



# Risom C141 Chair (1955) by Jens Risom

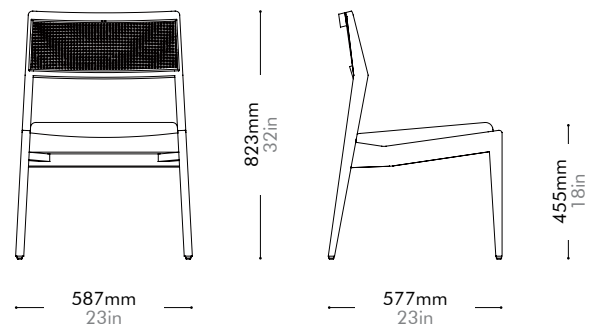


## RI-S210-CA

Materials	Solid wood frame, upholstery and cane		
Dimensions	W587 x D577 x H823mm; SH: 455mm   W23" x D23" x H32"; SH: 18"		
Weight	7.6kg   17lb		
Upholstery	1.0M   16.5SF		
Shipping Volume	0.40CBM		
Pkg Dimensions	FCL	W680 x D680 x H870mm; 13.61kg   W27" x D27" x H34"; 30lb	
	LCL/AIR	W700 x D700 x H965mm; 19.30kg   W28" x D28" x H38"; 43lb	

<b>Oak</b>		Lead time: 10-12 weeks
COM/COL		<b>¥178,000</b>
Fabric	C	<b>¥178,000</b>
	B	<b>¥193,000</b>
	A	<b>¥199,000</b>
Leather	C	<b>¥188,000</b>
	B	<b>¥199,000</b>
	A	<b>¥209,000</b>
PU Leather		<b>¥178,000</b>

<b>Walnut</b>		Lead time: 10-12 weeks
COM/COL		<b>¥205,000</b>
Fabric	C	<b>¥205,000</b>
	B	<b>¥220,000</b>
	A	<b>¥225,000</b>
Leather	C	<b>¥214,000</b>
	B	<b>¥225,000</b>
	A	<b>¥236,000</b>
PU Leather		<b>¥205,000</b>



# Risom C142 Chair (1955) by Jens Risom

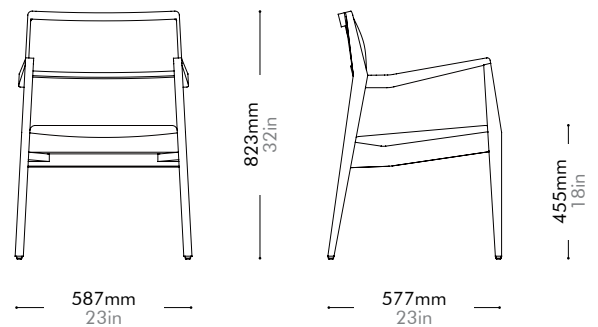


## RI-S211-UP

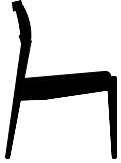
Materials	Solid wood frame, upholstery		
Dimensions	W587 x D577 x H823mm; SH: 455mm   W23" x D23" x H32"; SH: 18"		
Weight	7.8kg   17lb		
Upholstery	1.0M   19.8SF		
Shipping Volume	0.40CBM		
Pkg Dimensions	FCL	W680 x D680 x H870mm; 13.81kg   W27" x D27" x H34"; 30lb	
	LCL/AIR	W700 x D700 x H965mm; 19.50kg   W28" x D28" x H38"; 43lb	

<b>Oak</b>		Lead time: 10-12 weeks
COM/COL		<b>¥193,000</b>
Fabric	C	<b>¥193,000</b>
	B	<b>¥208,000</b>
	A	<b>¥213,000</b>
Leather	C	<b>¥207,000</b>
	B	<b>¥222,000</b>
	A	<b>¥235,000</b>
PU Leather		<b>¥193,000</b>

<b>Walnut</b>		Lead time: 10-12 weeks
COM/COL		<b>¥225,000</b>
Fabric	C	<b>¥225,000</b>
	B	<b>¥240,000</b>
	A	<b>¥245,000</b>
Leather	C	<b>¥240,000</b>
	B	<b>¥254,000</b>
	A	<b>¥281,000</b>
PU Leather		<b>¥225,000</b>



# Risom C143 Chair (1955) by Jens Risom

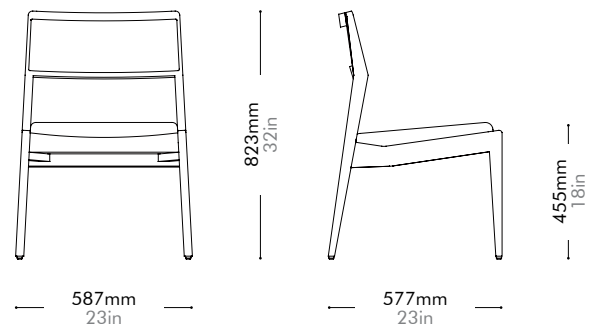


## RI-S210-UP

Materials	Solid wood frame, upholstery		
Dimensions	W587 x D577 x H823mm; SH: 455mm   W23" x D23" x H32"; SH: 18"		
Weight	7.6kg   17lb		
Upholstery	1.0M   19.8SF		
Shipping Volume	0.40CBM		
Pkg Dimensions	FCL	W680 x D680 x H870mm; 13.61kg   W27" x D27" x H34"; 30lb	
	LCL/AIR	W700 x D700 x H965mm; 19.30kg   W28" x D28" x H38"; 43lb	

<b>Oak</b>		Lead time: 10-12 weeks
COM/COL		<b>¥179,000</b>
Fabric	C	<b>¥179,000</b>
	B	<b>¥194,000</b>
	A	<b>¥199,000</b>
Leather	C	<b>¥194,000</b>
	B	<b>¥208,000</b>
	A	<b>¥221,000</b>
PU Leather		<b>¥179,000</b>

<b>Walnut</b>		Lead time: 10-12 weeks
COM/COL		<b>¥206,000</b>
Fabric	C	<b>¥206,000</b>
	B	<b>¥221,000</b>
	A	<b>¥226,000</b>
Leather	C	<b>¥220,000</b>
	B	<b>¥235,000</b>
	A	<b>¥248,000</b>
PU Leather		<b>¥206,000</b>



# Risom C180 Chair by Jens Risom

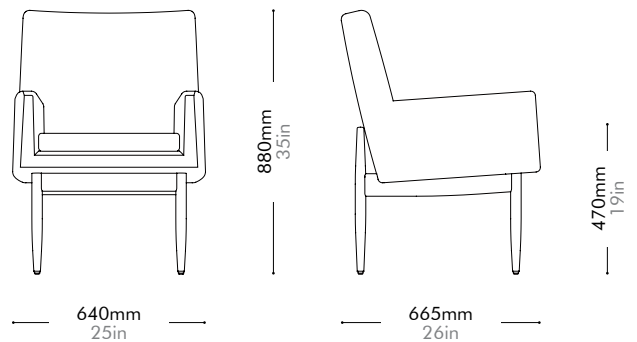


## RI-S231

Materials	Solid wood frame, upholstery		
Dimensions	W640 x D665 x H880mm; SH: 470mm   W25" x D26" x H35"; SH: 19"		
Weight	14.0kg   31lb		
Upholstery	3.3M   77.0SF		
Shipping Volume	0.50CBM		
Pkg Dimensions	FCL	W705 x D730 x H965mm; 21.08kg   W28" x D29" x H40"; 46lb	
	LCL/AIR	W745 x D770 x H1055mm; 27.74kg   W29" x D30" x H42"; 61lb	

<b>Oak</b>		Lead time: 10-12 weeks
COM/COL		<b>¥195,000</b>
Fabric	C	<b>¥195,000</b>
	B	<b>¥261,000</b>
	A	<b>¥284,000</b>
Leather	C	<b>¥300,000</b>
	B	<b>¥389,000</b>
	A	<b>¥473,000</b>
PU Leather		<b>¥195,000</b>

<b>Walnut</b>		Lead time: 10-12 weeks
COM/COL		<b>¥207,000</b>
Fabric	C	<b>¥207,000</b>
	B	<b>¥273,000</b>
	A	<b>¥296,000</b>
Leather	C	<b>¥312,000</b>
	B	<b>¥401,000</b>
	A	<b>¥485,000</b>
PU Leather		<b>¥207,000</b>



# Risom U380 Chair by Jens Risom

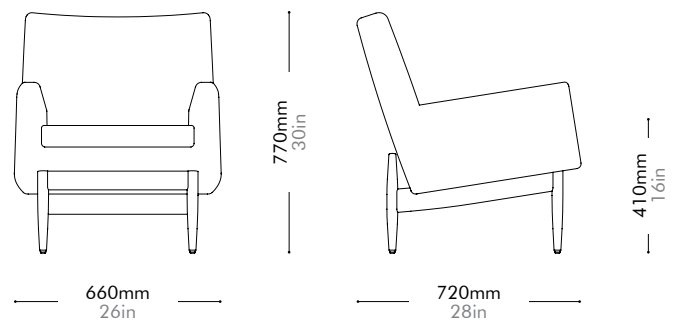


## RI-S121

Materials	Solid wood frame, upholstery	
Dimensions	W660 x D720 x H770mm; SH: 410mm   W26" x D28" x H30"; SH: 16"	
Weight	15.0kg   33lb	
Upholstery	3.4M   82.0SF	
Shipping Volume	0.49CBM	
Pkg Dimensions	FCL	W725 x D785 x H855mm; 21.48kg   W29" x D31" x H34"; 47lb
	LCL/AIR	W765 x D825 x H945mm; 28.81kg   W30" x D32" x H37"; 64lb

<b>Oak</b>		Lead time: 10-12 weeks
COM/COL		<b>¥222,000</b>
Fabric	C	<b>¥222,000</b>
	B	<b>¥300,000</b>
	A	<b>¥327,000</b>
Leather	C	<b>¥352,000</b>
	B	<b>¥461,000</b>
	A	<b>¥563,000</b>
PU Leather		<b>¥222,000</b>

<b>Walnut</b>		Lead time: 10-12 weeks
COM/COL		<b>¥234,000</b>
Fabric	C	<b>¥234,000</b>
	B	<b>¥312,000</b>
	A	<b>¥340,000</b>
Leather	C	<b>¥364,000</b>
	B	<b>¥473,000</b>
	A	<b>¥575,000</b>
PU Leather		<b>¥234,000</b>





# Risom Lounge Chair by Jens Risom

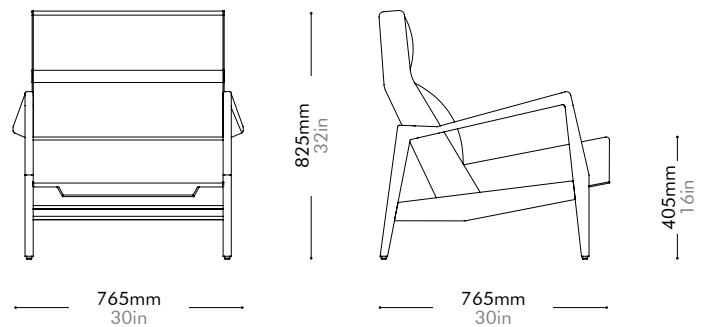


## RI-S111

Materials	Solid wood frame, upholstery		
Dimensions	W765 x D765 x H825mm; SH: 405mm   W30" x D30" x H32"; SH: 16"		
Weight	22.5kg   50lb		
Upholstery	2.5M   50.0SF		
Shipping Volume	0.63CBM		
Pkg Dimensions	FCL	W830 x D830 x H910mm; 30.07kg   W33" x D33" x H36"; 66lb	
	LCL/AIR	W870 x D870 x H1000mm; 38.86kg   W34" x D34" x H39"; 88lb	

<b>Oak</b>		Lead time: 10-12 weeks
COM/COL		<b>¥292,000</b>
Fabric	C	<b>¥292,000</b>
	B	<b>¥345,000</b>
	A	<b>¥363,000</b>
Leather	C	<b>¥360,000</b>
	B	<b>¥420,000</b>
	A	<b>¥477,000</b>
PU Leather		<b>¥292,000</b>

<b>Walnut</b>		Lead time: 10-12 weeks
COM/COL		<b>¥322,000</b>
Fabric	C	<b>¥322,000</b>
	B	<b>¥374,000</b>
	A	<b>¥392,000</b>
Leather	C	<b>¥389,000</b>
	B	<b>¥450,000</b>
	A	<b>¥506,000</b>
PU Leather		<b>¥322,000</b>



# Risom C375 Chair by Jens Risom



## RI-S310-WD

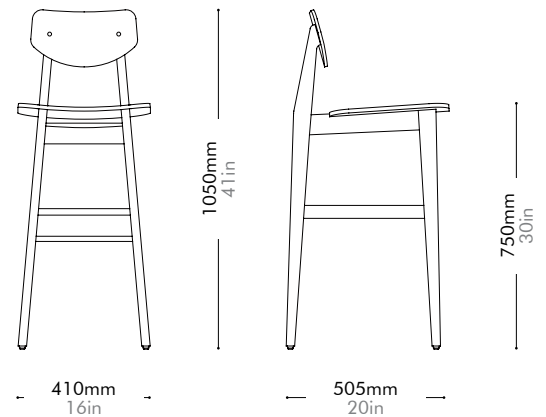
Materials	Solid wood frame, upholstery, stainless steel hairline brass		
Dimensions	W410 x D505 x H1050mm; SH: 750mm   W16" x D20" x H41"; SH: 30"		
Weight	5.0kg   11lb		
Upholstery	0.5M   9.0SF		
Shipping Volume	0.31CBM		
Pkg Dimensions	FCL	W475 x D570 x H1135mm; 11.86kg   W19" x D22" x H45"; 26lb	
	LCL/AIR	W515 x D610 x H1225mm; 15.51kg   W20" x D24" x H48"; 34lb	

### Oak Lead time: 10-12 weeks

COM/COL		<b>¥147,000</b>
Fabric	C	<b>¥147,000</b>
	B	<b>¥158,000</b>
	A	<b>¥161,000</b>
Leather	C	<b>¥157,000</b>
	B	<b>¥167,000</b>
	A	<b>¥176,000</b>
PU Leather		<b>¥147,000</b>

### Walnut Lead time: 10-12 weeks

COM/COL		<b>¥161,000</b>
Fabric	C	<b>¥161,000</b>
	B	<b>¥172,000</b>
	A	<b>¥175,000</b>
Leather	C	<b>¥171,000</b>
	B	<b>¥181,000</b>
	A	<b>¥190,000</b>
PU Leather		<b>¥161,000</b>



# Risom C376 Chair by Jens Risom



## RI-S310-UP

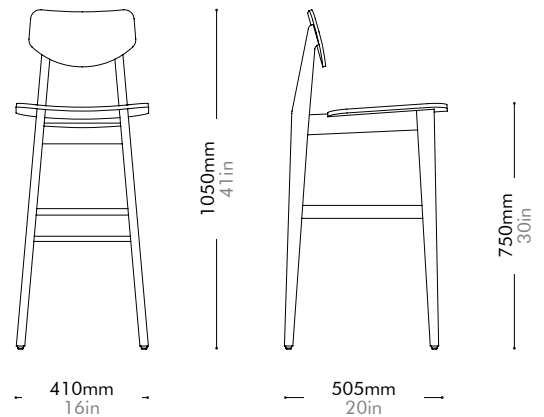
Materials	Solid wood frame, upholstery, stainless steel hairline brass		
Dimensions	W410 x D505 x H1050mm; SH: 750mm   W16" x D20" x H41"; SH: 30"		
Weight	5.0kg   11lb		
Upholstery	0.7M   11.0SF		
Shipping Volume	0.31CBM		
Pkg Dimensions	FCL	W475 x D570 x H1135mm; 11.86kg   W19" x D22" x H45"; 26lb	
	LCL/AIR	W515 x D610 x H1225mm; 15.51kg   W20" x D24" x H48"; 34lb	

### Oak Lead time: 10-12 weeks

COM/COL		<b>¥154,000</b>
Fabric	C	<b>¥154,000</b>
	B	<b>¥171,000</b>
	A	<b>¥177,000</b>
Leather	C	<b>¥165,000</b>
	B	<b>¥177,000</b>
	A	<b>¥188,000</b>
PU Leather		<b>¥154,000</b>

### Walnut Lead time: 10-12 weeks

COM/COL		<b>¥168,000</b>
Fabric	C	<b>¥168,000</b>
	B	<b>¥185,000</b>
	A	<b>¥191,000</b>
Leather	C	<b>¥179,000</b>
	B	<b>¥191,000</b>
	A	<b>¥202,000</b>
PU Leather		<b>¥168,000</b>



# Risom Shelves

## by Jens Risom



### RI-SF110

Materials	Solid wood legs, wood veneer panels		
Dimensions	W915 x D320 x H1435mm   W36" x D13" x H56"		
Weight	42.0kg   93lb		
Upholstery			
Shipping Volume	0.57CBM		
Pkg Dimensions	FCL	W980 x D385 x H1520mm; 53.91kg   W39" x D15" x H60"; 119lb	
	LCL/AIR	W1020 x D425 x H1610mm; 58.94kg   W40" x D17" x H63"; 130lb	

**Oak**      Lead time: 10-12 weeks

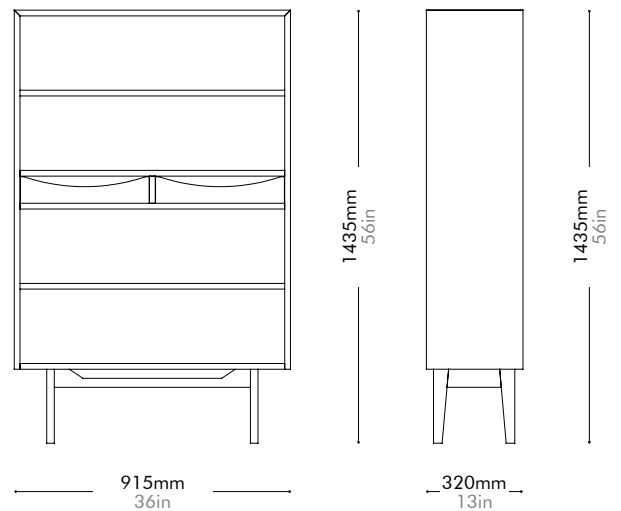
---

**¥246,000**

**Walnut**      Lead time: 10-12 weeks

---

**¥265,000**



# Risom Desk

by Jens Risom



## RI-T710

Materials	Solid wood legs and drawers, wood veneer top		
Dimensions	W1265 x D726 x H 723mm   W50" x D29" x H28"		
Weight	38.0kg   84lb		
Upholstery			
Shipping Volume	0.85CBM		
Pkg Dimensions	FCL	W1330 x D791 x H808mm; 46.55kg   W52" x D31" x H32"; 103lb	
	LCL/AIR	W1370 x D831 x H898mm; 59.78kg   W54" x D33" x H35"; 132lb	

**Oak**      Lead time: 10-12 weeks

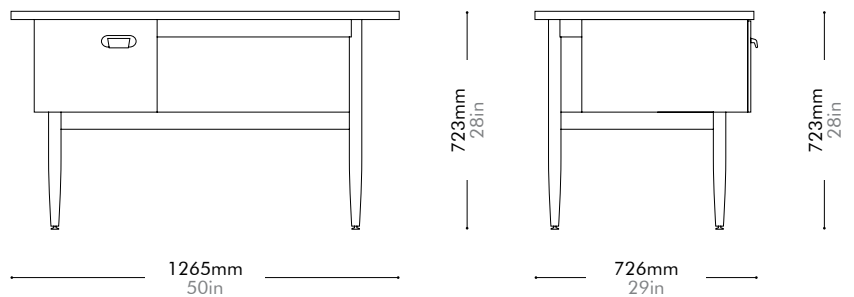
---

**¥277,000**

**Walnut**      Lead time: 10-12 weeks

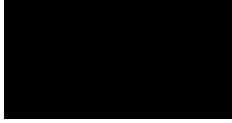
---

**¥326,000**



# Dune

by Space  
Copenhagen

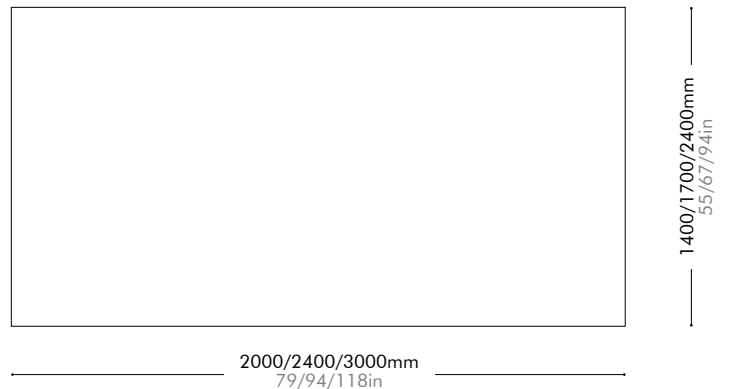


## WL-R001-S / WL-R001-M / WL-R001-L

Materials	100% Pure new zealand wool
Dimensions	S: L2000 x W1400mm   L79" x W55"
	M: L2400 x W1700mm   L94" x W67"
	L: L3000 x W2400mm   L118" x W94"
Weight	S: 11.0kg / M: 21.0kg / L: 37.0kg   S: 24lb / M: 46lb / L:82lb
Shipping Volume	S: 0.13 / M: 0.16 / L: 0.22 CBM
Pkg Dimensions	FCL/LCL/AIR S: C300 x H1450mm; 29.0kg   C12" x H57"; 64lb
	FCL/LCL/AIR M: C300 x H1750mm; 43.0kg   C12" x H69"; 95lb
	FCL/LCL/AIR L: C300 x H2450mm; 67.0kg   C12" x H96"; 148lb

Lead time: 10-12 weeks

S	<b>¥723,000</b>
M	<b>¥1,054,000</b>
L	<b>¥1,859,000</b>



# Midnight by Space Copenhagen

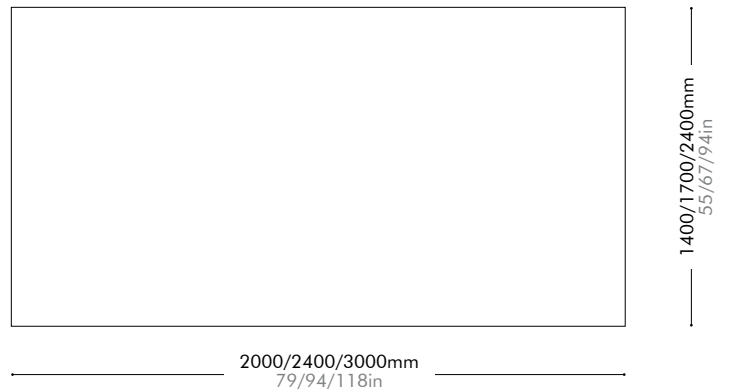


## WL-R002-S / WL-R002-M / WL-R002-L

Materials	100% Pure new zealand wool
Dimensions	S: L2000 x W1400mm   L79" x W55"
	M: L2400 x W1700mm   L94" x W67"
	L: L3000 x W2400mm   L118" x W94"
Weight	S: 11.0kg / M: 21.0kg / L: 37.0kg   S: 24lb / M: 46lb / L:82lb
Shipping Volume	S: 0.13 / M: 0.16 / L: 0.22 CBM
Pkg Dimensions	FCL/LCL/AIR S: C300 x H1450mm; 29.0kg   C12" x H57"; 64lb
	FCL/LCL/AIR M: C300 x H1750mm; 43.0kg   C12" x H69"; 95lb
	FCL/LCL/AIR L: C300 x H2450mm; 67.0kg   C12" x H96"; 148lb

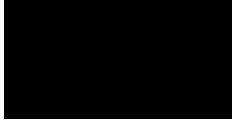
Lead time: 10-12 weeks

S	<b>¥723,000</b>
M	<b>¥1,054,000</b>
L	<b>¥1,859,000</b>



# Tundra

by Space  
Copenhagen

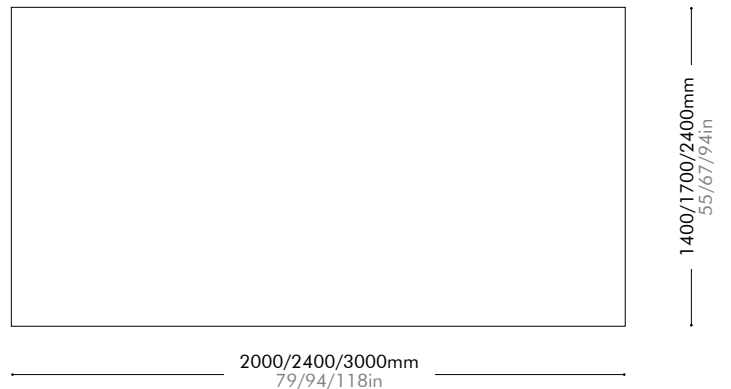


## WL-R003-S / WL-R003-M / WL-R003-L

Materials	100% Pure new zealand wool
Dimensions	S: L2000 x W1400mm   L79" x W55"
	M: L2400 x W1700mm   L94" x W67"
	L: L3000 x W2400mm   L118" x W94"
Weight	S: 11.0kg / M: 21.0kg / L: 37.0kg   S: 24lb / M: 46lb / L:82lb
Shipping Volume	S: 0.13 / M: 0.16 / L: 0.22 CBM
Pkg Dimensions	FCL/LCL/AIR S: C300 x H1450mm; 29.0kg   C12" x H57"; 64lb
	FCL/LCL/AIR M: C300 x H1750mm; 43.0kg   C12" x H69"; 95lb
	FCL/LCL/AIR L: C300 x H2450mm; 67.0kg   C12" x H96"; 148lb

Lead time: 10-12 weeks

S	<b>¥723,000</b>
M	<b>¥1,054,000</b>
L	<b>¥1,859,000</b>





# Nude

by Space  
Copenhagen

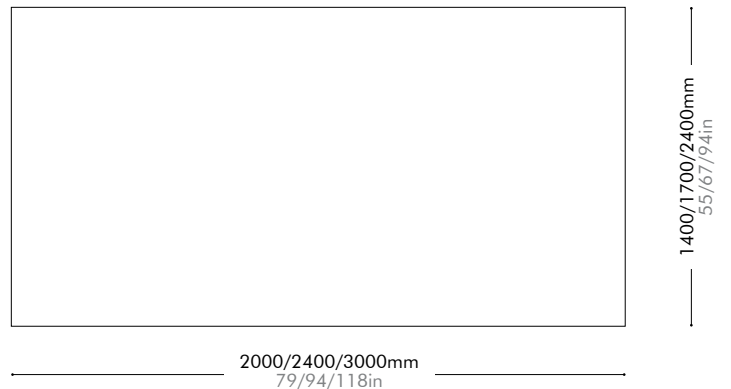


## WL-R004-S / WL-R004-M / WL-R004-L

Materials	100% Pure new zealand wool
Dimensions	S: L2000 x W1400mm   L79" x W55"
	M: L2400 x W1700mm   L94" x W67"
	L: L3000 x W2400mm   L118" x W94"
Weight	S: 11.0kg / M: 21.0kg / L: 37.0kg   S: 24lb / M: 46lb / L:82lb
Shipping Volume	S: 0.13 / M: 0.16 / L: 0.22 CBM
Pkg Dimensions	FCL/LCL/AIR S: C300 x H1450mm; 29.0kg   C12" x H57"; 64lb
	FCL/LCL/AIR M: C300 x H1750mm; 43.0kg   C12" x H69"; 95lb
	FCL/LCL/AIR L: C300 x H2450mm; 67.0kg   C12" x H96"; 148lb

Lead time: 10-12 weeks

S	<b>¥723,000</b>
M	<b>¥1,054,000</b>
L	<b>¥1,859,000</b>



# Moon

## by Space

### Copenhagen

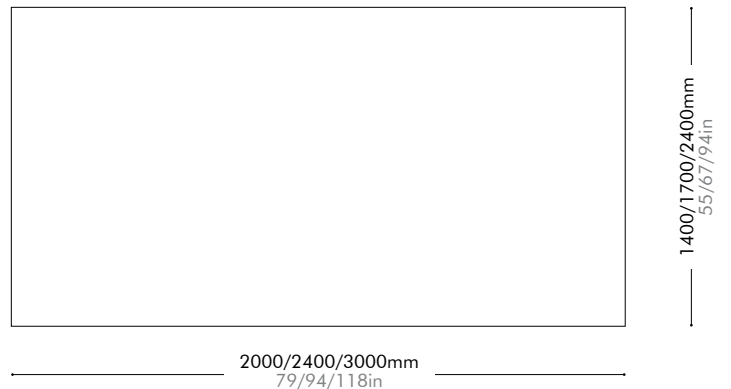


#### WL-R005-S / WL-R005-M / WL-R005-L

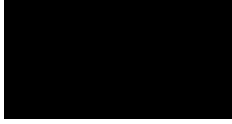
Materials	100% Pure new zealand wool
Dimensions	S: L2000 x W1400mm   L79" x W55"
	M: L2400 x W1700mm   L94" x W67"
	L: L3000 x W2400mm   L118" x W94"
Weight	S: 11.0kg / M: 21.0kg / L: 37.0kg   S: 24lb / M: 46lb / L:82lb
Shipping Volume	S: 0.13 / M: 0.16 / L: 0.22 CBM
Pkg Dimensions	FCL/LCL/AIR S: C300 x H1450mm; 29.0kg   C12" x H57"; 64lb
	FCL/LCL/AIR M: C300 x H1750mm; 43.0kg   C12" x H69"; 95lb
	FCL/LCL/AIR L: C300 x H2450mm; 67.0kg   C12" x H96"; 148lb

Lead time: 10-12 weeks

S	<b>¥723,000</b>
M	<b>¥1,054,000</b>
L	<b>¥1,859,000</b>



# Black Rug

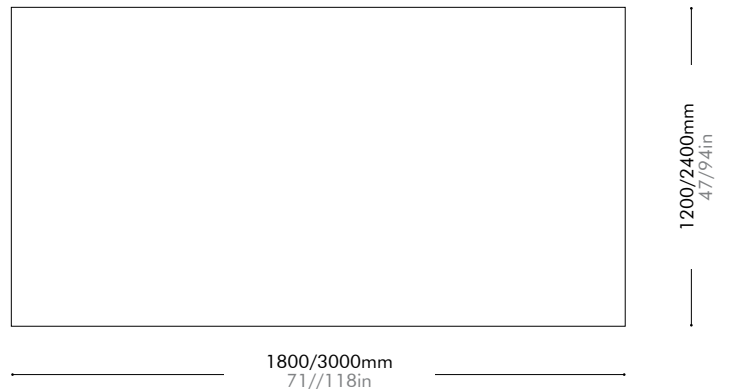


## LI-R001-S / LI-R001-L

Materials	100% Linen
Dimensions	S: L1800 x W1200mm   L71" x W47" L: L3000 x W2400mm   L118" x W94"
Weight	S: 2.5kg / L: 9.4kg   S: 6lb / L: 21lb
Shipping Volume	S: 0.02 / L: 0.06 CBM
Pkg Dimensions	FCL/LCL/AIR S: C150 x H1250mm; 2.5kg   C6" x H49"; 6lb FCL/LCL/AIR L: C170 x H2450mm; 9.4kg   C12" x H96"; 21lb

Lead time: 8 weeks

S	¥129,000
L	¥346,000



# Taupe Rug

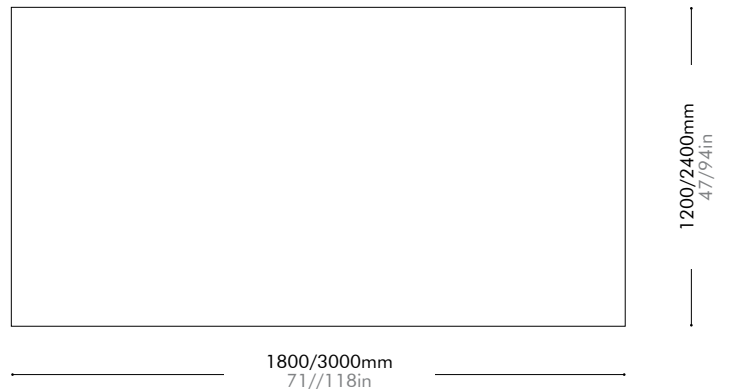


## LI-R002-S / LI-R002-L

Materials	100% Linen
Dimensions	S: L1800 x W1200mm   L71" x W47" L: L3000 x W2400mm   L118" x W94"
Weight	S: 2.5kg / L: 9.4kg   S: 6lb / L: 21lb
Shipping Volume	S: 0.02 / L: 0.06 CBM
Pkg Dimensions	FCL/LCL/AIR S: C150 x H1250mm; 2.5kg   C6" x H49"; 6lb FCL/LCL/AIR L: C170 x H2450mm; 9.4kg   C12" x H96"; 21lb

Lead time: 8 weeks

S	¥129,000
L	¥346,000



# Mink Rug

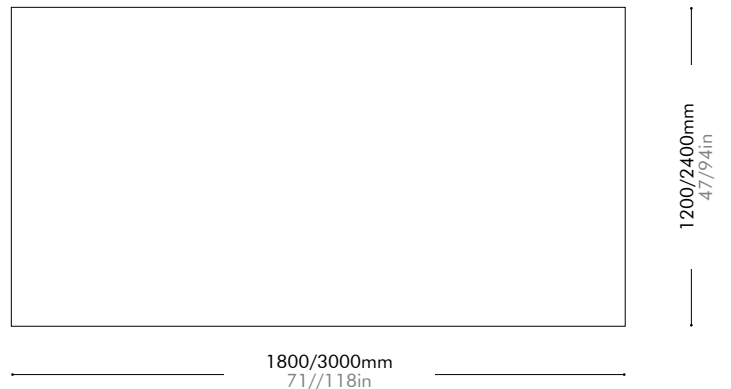


## LI-R003-S / LI-R003-L

Materials	100% Linen
Dimensions	S: L1800 x W1200mm   L71" x W47" L: L3000 x W2400mm   L118" x W94"
Weight	S: 2.5kg / L: 9.4kg   S: 6lb / L: 21lb
Shipping Volume	S: 0.02 / L: 0.06 CBM
Pkg Dimensions	FCL/LCL/AIR S: C150 x H1250mm; 2.5kg   C6" x H49"; 6lb FCL/LCL/AIR L: C170 x H2450mm; 9.4kg   C12" x H96"; 21lb

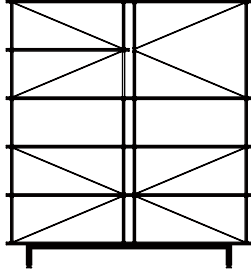
Lead time: 8 weeks

S	¥129,000
L	¥346,000



# Seiton 5-1 L

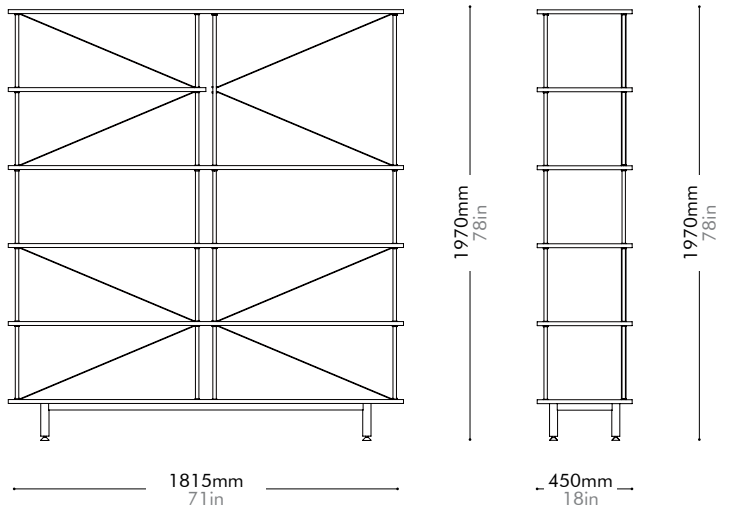
by OEO Studio



## SE-SF151-L

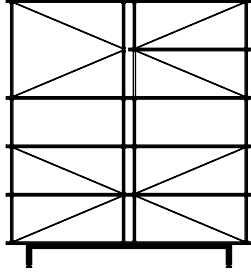
Materials	Steel black powder coat matt, wood veneer shelves		
Dimensions	W1815 x D450 x H1970mm   W71" x D18" x H78"		
Weight	70.0kg   154lb		
Upholstery			
Shipping Volume	0.26CBM		
Pkg Dimensions	FCL	W1915 x D550 x H250mm; 74.33kg   W75" x D22" x H11"; 158lb	
	LCL/AIR	W1955 x D590 x H340mm; 87.73kg   W77" x D23" x H15"; 194lb	

<b>Oak</b>	Lead time: 10-12 weeks	<b>Walnut</b>	Lead time: 10-12 weeks
	<b>¥377,000</b>		<b>¥381,000</b>



# Seiton 5-1 R

by OEO Studio



## SE-SF151-R

Materials Steel black powder coat matt, wood veneer shelves

Dimensions W1815 x D450 x H1970mm | W71" x D18" x H78"

Weight 70.0kg | 154lb

Upholstery

Shipping Volume 0.26CBM

Pkg Dimensions FCL W1915 x D550 x H250mm; 74.33kg | W75" x D22" x H11"; 158lb

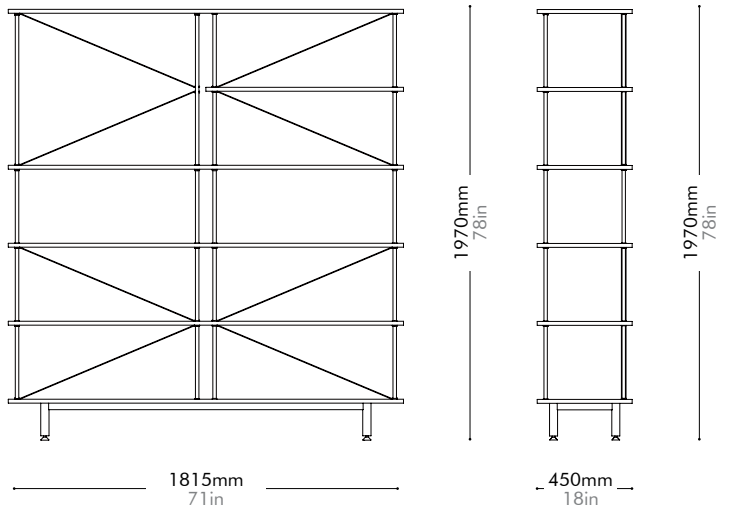
LCL/AIR W1955 x D590 x H340mm; 87.73kg | W77" x D23" x H15"; 194lb

**Oak** Lead time: 10-12 weeks

**Walnut** Lead time: 10-12 weeks

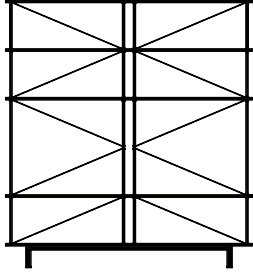
**¥377,000**

**¥381,000**



# Seiton 5

by OEO Studio



## SE-SF150

Materials Steel black powder coat matt, wood veneer shelves

Dimensions W1815 x D450 x H1970mm | W71" x D18" x H78"

Weight 67.0kg | 148lb

Upholstery

Shipping Volume 0.24CBM

Pkg Dimensions FCL W1915 x D550 x H230mm; 71.18kg | W75" x D22" x H11"; 157lb

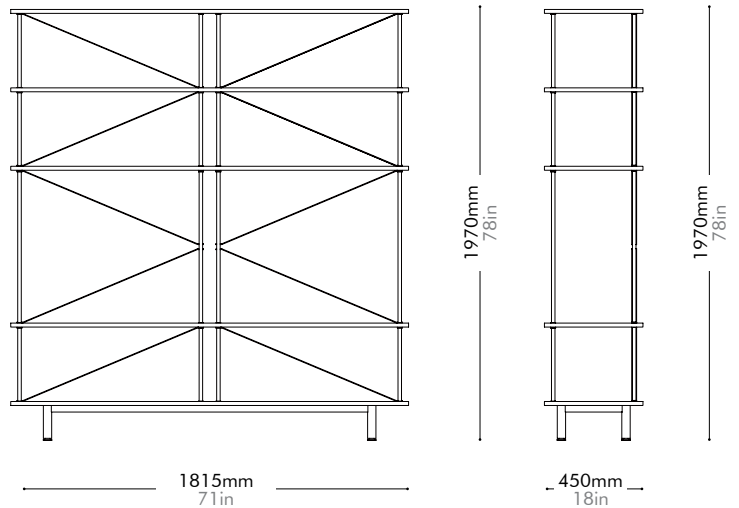
LCL/AIR W1955 x D590 x H320mm; 84.59kg | W77" x D23" x H15"; 186lb

**Oak** Lead time: 10-12 weeks

**Walnut** Lead time: 10-12 weeks

**¥360,000**

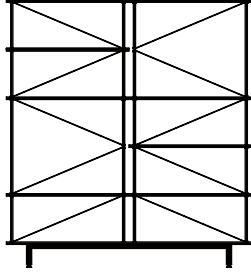
**¥362,000**





# Seiton 4-2 L

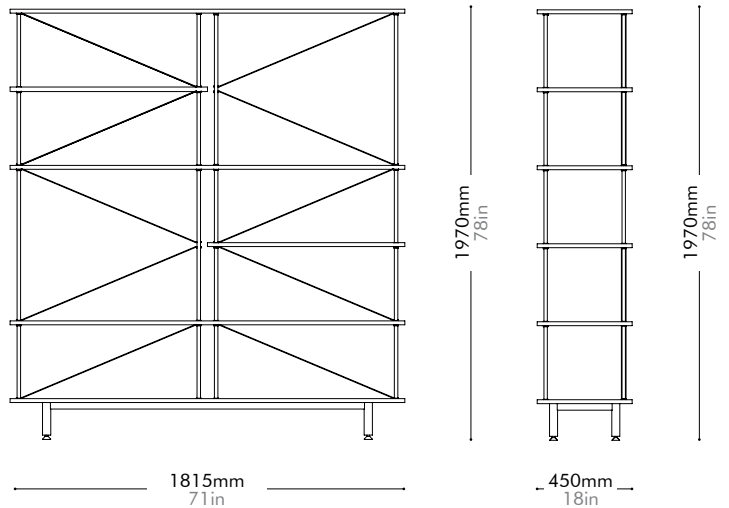
by OEO Studio



## SE-SF142-L

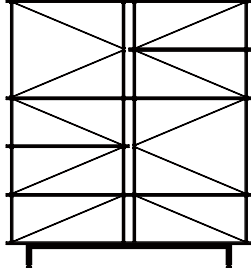
Materials	Steel black powder coat matt, wood veneer shelves		
Dimensions	W1815 x D450 x H1970mm   W71" x D18" x H78"		
Weight	67.0kg   154lb		
Upholstery			
Shipping Volume	0.24CBM		
Pkg Dimensions	FCL	W1915 x D550 x H230mm; 71.18kg   W75" x D22" x H9"; 157lb	
	LCL/AIR	W1955 x D590 x H320mm; 84.59kg   W77" x D23" x H13"; 186lb	

<b>Oak</b>	Lead time: 10-12 weeks	<b>Walnut</b>	Lead time: 10-12 weeks
	<b>¥403,000</b>		<b>¥406,000</b>



# Seiton 4-2 R

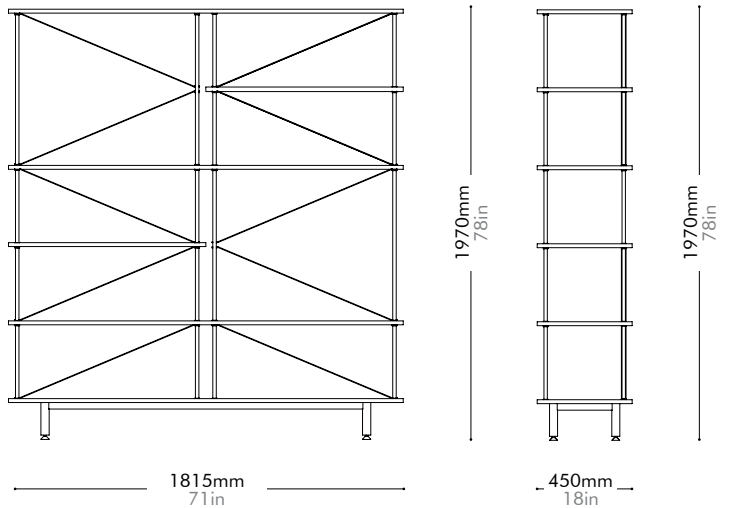
by OEO Studio



## SE-SF142-R

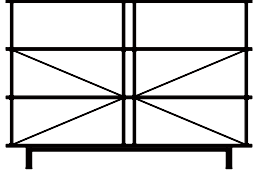
Materials	Steel black powder coat matt, wood veneer shelves	
Dimensions	W1815 x D450 x H1970mm   W71" x D18" x H78"	
Weight	67.0kg   154lb	
Upholstery		
Shipping Volume	0.24CBM	
Pkg Dimensions	FCL	W1915 x D550 x H230mm; 71.18kg   W75" x D22" x H9"; 157lb
	LCL/AIR	W1955 x D590 x H320mm; 84.59kg   W77" x D23" x H13"; 186lb

<b>Oak</b>	Lead time: 10-12 weeks	<b>Walnut</b>	Lead time: 10-12 weeks
	<b>¥403,000</b>		<b>¥406,000</b>



# Seiton 4

by OEO Studio



## SE-SF140

Materials	Steel black powder coat matt, wood veneer shelves		
Dimensions	W1815 x D450 x H1250mm   W71" x D18" x H49"		
Weight	46.0kg   101lb		
Upholstery			
Shipping Volume	0.22CBM		
Pkg Dimensions	FCL	W1915 x D550 x H210mm; 50.04kg   W75" x D22" x H8"; 110lb	
	LCL/AIR	W1955 x D590 x H300mm; 63.44kg   W77" x D23" x H11"; 140lb	

**Oak**      Lead time: 10-12 weeks

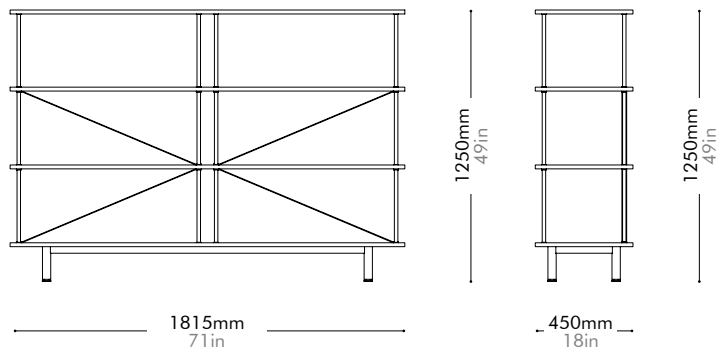
---

**¥299,000**

**Walnut**      Lead time: 10-12 weeks

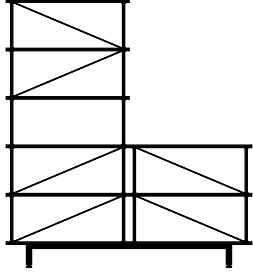
---

**¥302,000**



# Seiton 3-3 L

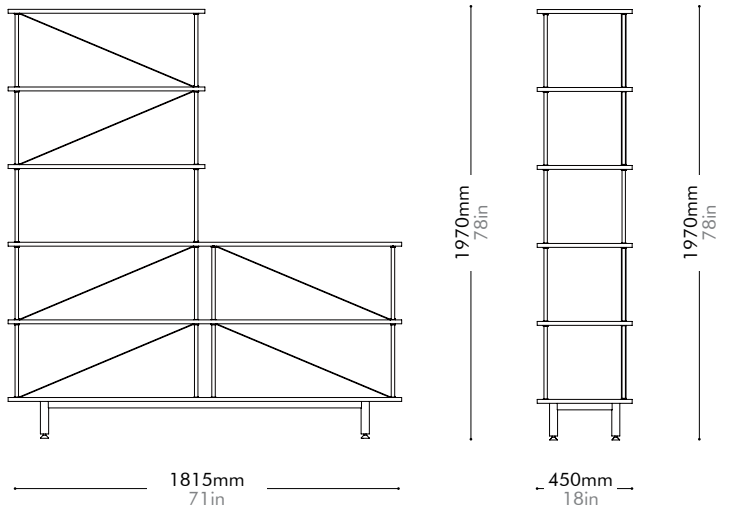
by OEO Studio



## SE-SF133-L

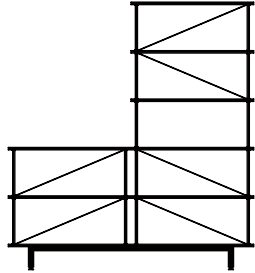
Materials	Steel black powder coat matt, wood veneer shelves		
Dimensions	W1815 x D450 x H1970mm   W71" x D18" x H78"		
Weight	57.5kg   127lb		
Upholstery			
Shipping Volume	0.24CBM		
Pkg Dimensions	FCL	W1915 x D550 x H230mm; 61.68kg   W75" x D22" x H9"; 136lb	
	LCL/AIR	W1955 x D590 x H320mm; 75.09kg   W77" x D23" x H13"; 166lb	

<b>Oak</b>	Lead time: 10-12 weeks	<b>Walnut</b>	Lead time: 10-12 weeks
	<b>¥340,000</b>		<b>¥343,000</b>



# Seiton 3-3 R

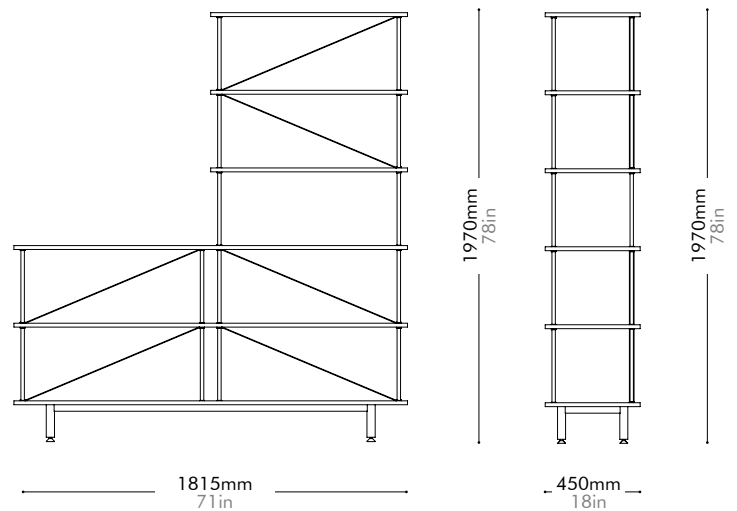
by OEO Studio



## SE-SF133-R

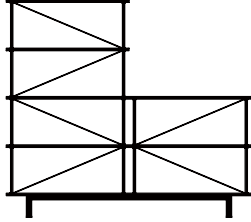
Materials	Steel black powder coat matt, wood veneer shelves		
Dimensions	W1815 x D450 x H1970mm   W71" x D18" x H78"		
Weight	57.5kg   127lb		
Upholstery			
Shipping Volume	0.24CBM		
Pkg Dimensions	FCL	W1915 x D550 x H230mm; 61.68kg   W75" x D22" x H9"; 136lb	
	LCL/AIR	W1955 x D590 x H320mm; 75.09kg   W77" x D23" x H13"; 166lb	

<b>Oak</b>	Lead time: 10-12 weeks	<b>Walnut</b>	Lead time: 10-12 weeks
	<b>¥340,000</b>		<b>¥343,000</b>



# Seiton 3-2 L

by OEO Studio



## SE-SF132-L

Materials	Steel black powder coat matt, wood veneer shelves		
Dimensions	W1815 x D450 x H1610mm   W71" x D18" x H63"		
Weight	46.0kg   101lb		
Upholstery			
Shipping Volume	0.22CBM		
Pkg Dimensions	FCL	W1915 x D550 x H210mm; 50.04kg   W75" x D22" x H8"; 110lb	
	LCL/AIR	W1955 x D590 x H300mm; 63.44kg   W77" x D23" x H11"; 140lb	

**Oak**      Lead time: 10-12 weeks

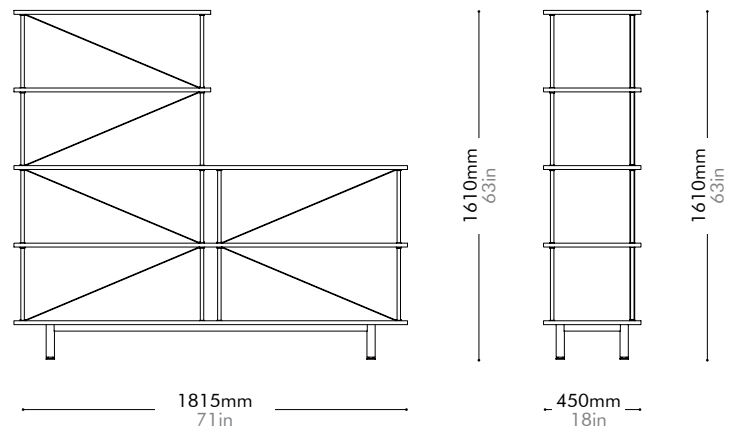
---

**¥311,000**

**Walnut**      Lead time: 10-12 weeks

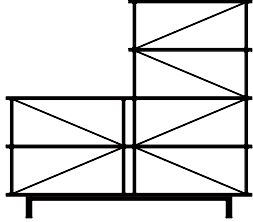
---

**¥314,000**



# Seiton 3-2 R

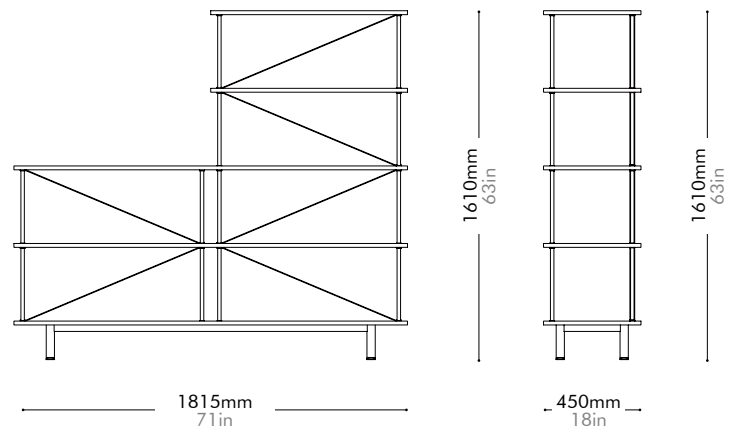
by OEO Studio



## SE-SF132-R

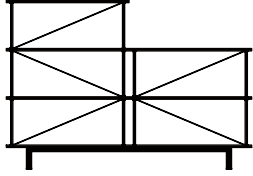
Materials	Steel black powder coat matt, wood veneer shelves		
Dimensions	W1815 x D450 x H1610mm   W71" x D18" x H63"		
Weight	46.0kg   101lb		
Upholstery			
Shipping Volume	0.22CBM		
Pkg Dimensions	FCL	W1915 x D550 x H210mm; 50.04kg   W75" x D22" x H8"; 110lb	
	LCL/AIR	W1955 x D590 x H300mm; 63.44kg   W77" x D23" x H11"; 140lb	

<b>Oak</b>	Lead time: 10-12 weeks	<b>Walnut</b>	Lead time: 10-12 weeks
	<b>¥311,000</b>		<b>¥314,000</b>



# Seiton 3-1 L

by OEO Studio



## SE-SF131-L

Materials	Steel black powder coat matt, wood veneer shelves		
Dimensions	W1815 x D450 x H1250mm   W71" x D18" x H49"		
Weight	42.5kg   94lb		
Upholstery			
Shipping Volume	0.22CBM		
Pkg Dimensions	FCL	W1915 x D550 x H210mm; 46.54kg   W75" x D22" x H8"; 103lb	
	LCL/AIR	W1955 x D590 x H300mm; 59.94kg   W77" x D23" x H11"; 131lb	

**Oak**      Lead time: 10-12 weeks

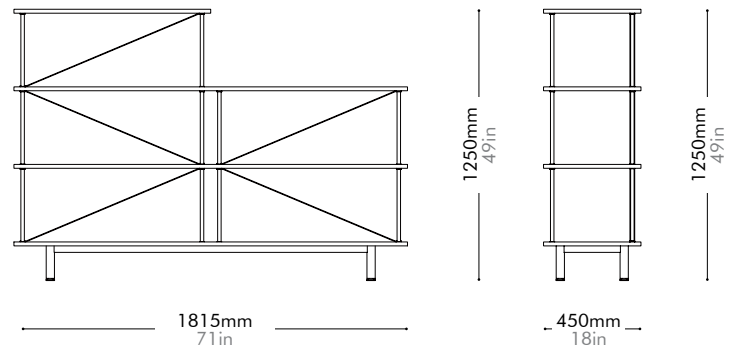
---

**¥285,000**

**Walnut**      Lead time: 10-12 weeks

---

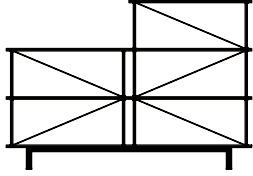
**¥288,000**





# Seiton 3-1 R

by OEO Studio



## SE-SF131-R

Materials	Steel black powder coat matt, wood veneer shelves		
Dimensions	W1815 x D450 x H1250mm   W71" x D18" x H49"		
Weight	42.5kg   94lb		
Upholstery			
Shipping Volume	0.22CBM		
Pkg Dimensions	FCL	W1915 x D550 x H210mm; 46.54kg   W75" x D22" x H8"; 103lb	
	LCL/AIR	W1955 x D590 x H300mm; 59.94kg   W77" x D23" x H11"; 131lb	

**Oak**      Lead time: 10-12 weeks

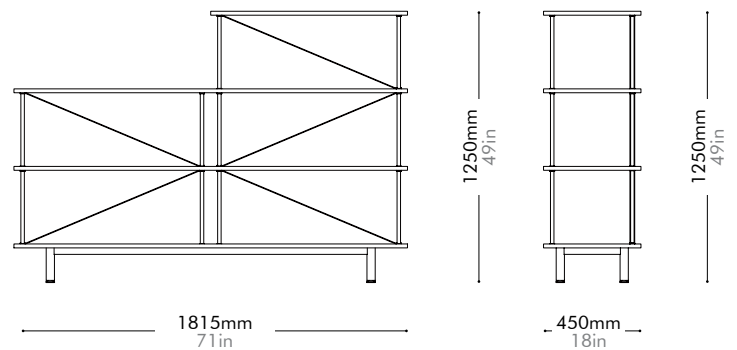
---

**¥285,000**

**Walnut**      Lead time: 10-12 weeks

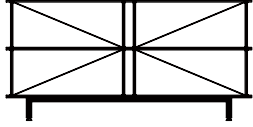
---

**¥288,000**



# Seiton 3

by OEO Studio



## SE-SF130

Materials	Steel black powder coat matt, wood veneer shelves		
Dimensions	W1815 x D450 x H895mm   W71" x D18" x H35"		
Weight	39.0kg   94lb		
Upholstery			
Shipping Volume	0.19CBM		
Pkg Dimensions	FCL	W1915 x D550 x H180mm; 42.82kg   W75" x D22" x H7"; 137lb	
	LCL/AIR	W1955 x D590 x H270mm; 56.23kg   W77" x D23" x H11"; 124lb	

**Oak**      Lead time: 10-12 weeks

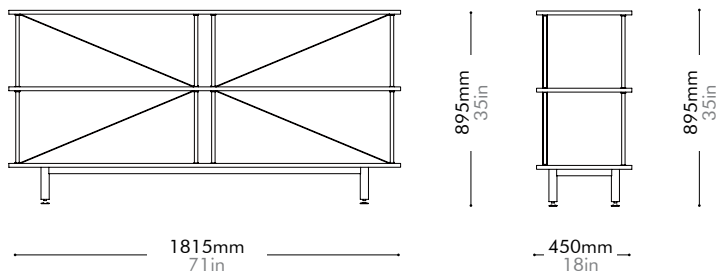
---

**¥259,000**

**Walnut**      Lead time: 10-12 weeks

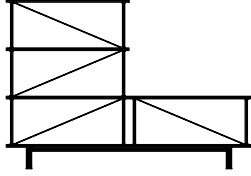
---

**¥261,000**



# Seiton 2-2 L

by OEO Studio



## SE-SF122-L

Materials	Steel black powder coat matt, wood veneer shelves		
Dimensions	W1815 x D450 x H1250mm   W71" x D18" x H49"		
Weight	39.0kg   94lb		
Upholstery			
Shipping Volume	0.19CBM		
Pkg Dimensions	FCL	W1915 x D550 x H180mm; 42.82kg   W75" x D22" x H7"; 137lb	
	LCL/AIR	W1955 x D590 x H270mm; 56.23kg   W77" x D23" x H11"; 124lb	

**Oak**      Lead time: 10-12 weeks

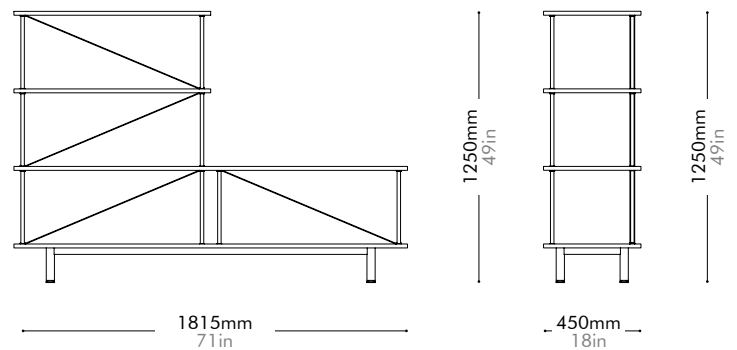
---

**¥245,000**

**Walnut**      Lead time: 10-12 weeks

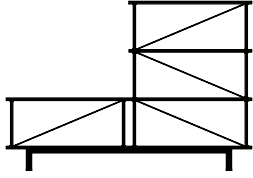
---

**¥247,000**



# Seiton 2-2 R

by OEO Studio



## SE-SF122-R

Materials	Steel black powder coat matt, wood veneer shelves		
Dimensions	W1815 x D450 x H1250mm   W71" x D18" x H49"		
Weight	39.0kg   94lb		
Upholstery			
Shipping Volume	0.19CBM		
Pkg Dimensions	FCL	W1915 x D550 x H180mm; 42.82kg   W75" x D22" x H7"; 137lb	
	LCL/AIR	W1955 x D590 x H270mm; 56.23kg   W77" x D23" x H11"; 124lb	

**Oak**      Lead time: 10-12 weeks

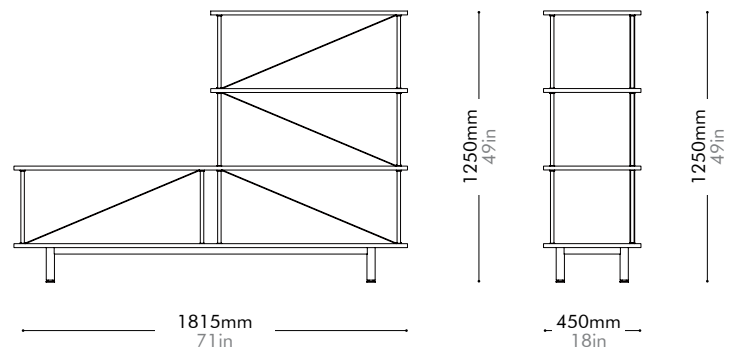
---

**¥245,000**

**Walnut**      Lead time: 10-12 weeks

---

**¥247,000**



# Seiton 2

by OEO Studio

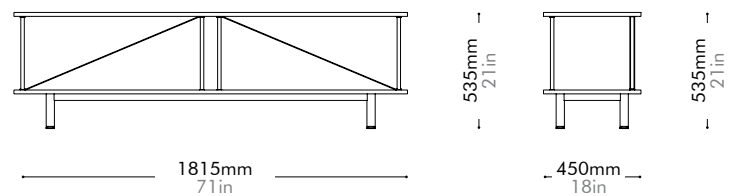


## SE-SF120

Materials	Steel black powder coat matt, wood veneer shelves
Dimensions	W1815 x D450 x H535mm   W71" x D18" x H21"
Weight	26.0kg   57lb
Upholstery	
Shipping Volume	0.17CBM
Pkg Dimensions	FCL W1915 x D550 x H160mm; 29.68kg   W75" x D22" x H6"; 65lb
	LCL/AIR W1955 x D590 x H250mm; 43.09kg   W77" x D23" x H9"; 95lb

**Oak** Lead time: 10-12 weeks  
**¥196,000**

**Walnut** Lead time: 10-12 weeks  
**¥197,000**



# Seiton Cabinet High by OEO Studio

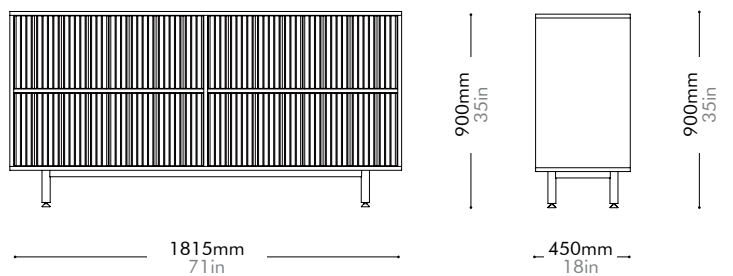


## SE-C110-H

Materials	Solid wood with wood veneer panels, steel black powder coat matt		
Dimensions	W1815 x D450 x H900mm   W71" x D18" x H35"		
Weight	67.0kg   148lb		
Upholstery			
Shipping Volume	1.00CBM		
Pkg Dimensions	FCL	W1900 x D535 x H985mm; 77.96kg   W75" x D21" x H39"; 172lb	
	LCL/AIR	W1920 x D555 x H1080mm; 90.35kg   W76" x D22" x H43"; 199lb	

<b>Oak</b>	Lead time: 10-12 weeks
	<b>¥456,000</b>

<b>Walnut</b>	Lead time: 10-12 weeks
	<b>¥515,000</b>



# Seiton Cabinet Low by OEO Studio

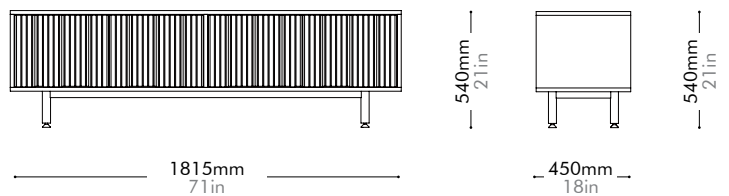


## SE-C110-L

Materials	Solid wood with wood veneer panels, steel black powder coat matt		
Dimensions	W1815 x D450 x H540mm   W71" x D18" x H21"		
Weight	42.0kg   93lb		
Upholstery			
Shipping Volume	0.64CBM		
Pkg Dimensions	FCL	W1900 x D535 x H625mm; 49.32kg   W75" x D21" x H25"; 109lb	
	LCL/AIR	W1920 x D555 x H720mm; 61.70kg   W76" x D22" x H28"; 136lb	

<b>Oak</b>	Lead time: 10-12 weeks
	<b>¥327,000</b>

<b>Walnut</b>	Lead time: 10-12 weeks
	<b>¥360,000</b>



# Seiton TV Cabinet by OEO Studio



## SE-C120

Materials Solid wood with wood veneer panels, steel black powder coat matt

Dimensions W1815 x D450 x H540mm | W71" x D18" x H21"

Weight 45.0kg | 93lb

Upholstery

Shipping Volume 0.64CBM

Pkg Dimensions FCL W1900 x D535 x H625mm; 52.32kg | W75" x D21" x H25"; 115lb

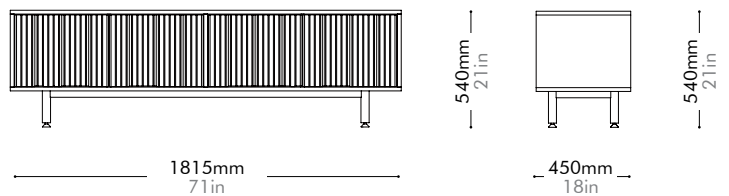
LCL/AIR W1920 x D555 x H720mm; 64.70kg | W76" x D22" x H28"; 143lb

**Oak** Lead time: 10-12 weeks

**Walnut** Lead time: 10-12 weeks

**¥327,000**

**¥360,000**





# Slow Lounge Chair by Space Copenhagen

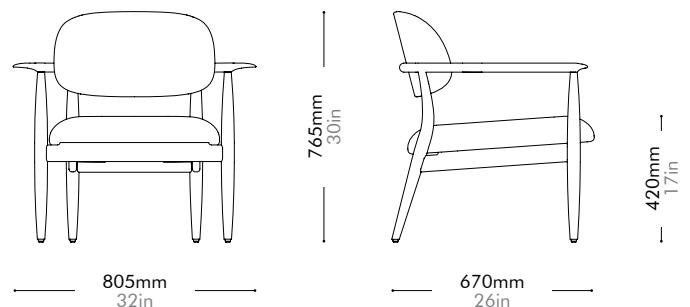


## SL-S111

Materials	Solid wood frame, upholstery		
Dimensions	W805 x D670 x H765mm; SH: 420mm   W32" x D26" x H30"; SH: 17"		
Weight	10.8kg   24lb		
Upholstery	1.4M   23.1SF		
Shipping Volume	0.59CBM		
Pkg Dimensions	FCL	W900 x D800 x H820mm; 17.77kg   W35" x D31" x H32"; 39lb	
	LCL/AIR	W920 x D820 x H915mm; 26.53kg   W36" x D32" x H36"; 59lb	

<b>Oak</b>		Lead time: 10-12 weeks
COM/COL		<b>¥250,000</b>
Fabric	C	<b>¥250,000</b>
	B	<b>¥277,000</b>
	A	<b>¥287,000</b>
Leather	C	<b>¥276,000</b>
	B	<b>¥301,000</b>
	A	<b>¥325,000</b>
PU Leather		<b>¥250,000</b>

<b>Walnut</b>		Lead time: 10-12 weeks
COM/COL		<b>¥314,000</b>
Fabric	C	<b>¥314,000</b>
	B	<b>¥341,000</b>
	A	<b>¥351,000</b>
Leather	C	<b>¥340,000</b>
	B	<b>¥365,000</b>
	A	<b>¥389,000</b>
PU Leather		<b>¥314,000</b>



# Slow Dining Chair by Space Copenhagen

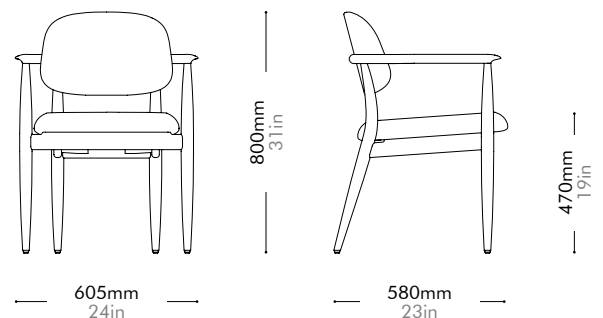


## SL-S211

Materials	Solid wood frame, upholstery		
Dimensions	W605 x D580 x H800mm; SH: 470mm   W24" x D23" x H31"; SH: 19"		
Weight	7.5kg   17lb		
Upholstery	0.8M   16.5SF		
Shipping Volume	0.40CBM		
Pkg Dimensions	FCL	W680 x D680 x H870mm; 13.51kg   W27" x D27" x H34"; 30lb	
	LCL/AIR	W700 x D700 x H965mm; 19.20kg   W28" x D28" x H38"; 43lb	

<b>Oak</b>		Lead time: 10-12 weeks
COM/COL		<b>¥185,000</b>
Fabric	C	<b>¥185,000</b>
	B	<b>¥197,000</b>
	A	<b>¥201,000</b>
Leather	C	<b>¥202,000</b>
	B	<b>¥217,000</b>
	A	<b>¥231,000</b>
PU Leather		<b>¥185,000</b>

<b>Walnut</b>		Lead time: 10-12 weeks
COM/COL		<b>¥219,000</b>
Fabric	C	<b>¥219,000</b>
	B	<b>¥231,000</b>
	A	<b>¥236,000</b>
Leather	C	<b>¥237,000</b>
	B	<b>¥252,000</b>
	A	<b>¥266,000</b>
PU Leather		<b>¥219,000</b>



# Slow Side Chair

## by Space Copenhagen

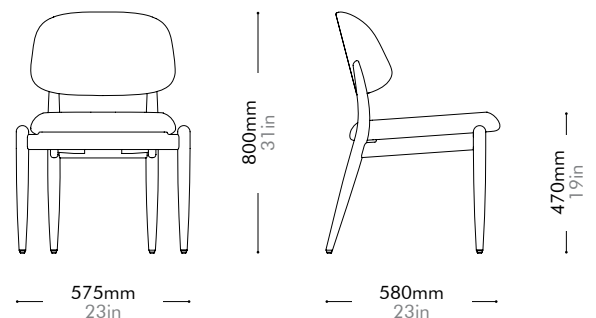


### SL-S210

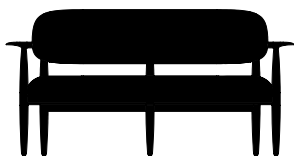
Materials	Solid wood frame, upholstery	
Dimensions	W575 x D580 x H800mm; SH: 470mm   W23" x D23" x H31"; SH: 15"	
Weight	6.7kg   15lb	
Upholstery	0.8M   16.5SF	
Shipping Volume	0.40CBM	
Pkg Dimensions	FCL	W680 x D680 x H870mm; 12.71kg   W27" x D27" x H34"; 28lb
	LCL/AIR	W700 x D700 x H965mm; 18.40kg   W28" x D28" x H38"; 41lb

<b>Oak</b>		Lead time: 10-12 weeks
COM/COL		<b>¥166,000</b>
Fabric	C	<b>¥166,000</b>
	B	<b>¥179,000</b>
	A	<b>¥184,000</b>
Leather	C	<b>¥185,000</b>
	B	<b>¥201,000</b>
	A	<b>¥216,000</b>
PU Leather		<b>¥166,000</b>

<b>Walnut</b>		Lead time: 10-12 weeks
COM/COL		<b>¥206,000</b>
Fabric	C	<b>¥206,000</b>
	B	<b>¥220,000</b>
	A	<b>¥224,000</b>
Leather	C	<b>¥225,000</b>
	B	<b>¥242,000</b>
	A	<b>¥257,000</b>
PU Leather		<b>¥206,000</b>



# Slow Lounge Chair Two Seater by Space Copenhagen



## SL-S121

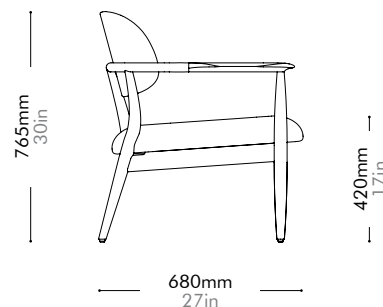
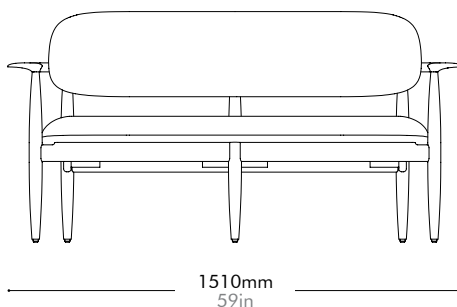
Materials	Solid wood frame, upholstery		
Dimensions	W1510 x D680 x H765mm; SH: 420mm   W59" x D27" x H30"; SH: 17"		
Weight	20.0kg   44lb		
Upholstery	3.2M   40.0SF		
Shipping Volume	1.00CBM		
Pkg Dimensions	FCL	W1575 x D745 x H850mm; 29.67kg   W62" x D29" x H33"; 65lb	
	LCL/AIR	W1595 x D765 x H945mm; 43.85kg   W63" x D30" x H37"; 97lb	

### Oak Lead time: 10-12 weeks

COM/COL		<b>¥367,000</b>
Fabric	C	<b>¥367,000</b>
	B	<b>¥427,000</b>
	A	<b>¥449,000</b>
Leather	C	<b>¥407,000</b>
	B	<b>¥451,000</b>
	A	<b>¥493,000</b>
PU Leather		<b>¥367,000</b>

### Walnut Lead time: 10-12 weeks

COM/COL		<b>¥418,000</b>
Fabric	C	<b>¥418,000</b>
	B	<b>¥479,000</b>
	A	<b>¥500,000</b>
Leather	C	<b>¥458,000</b>
	B	<b>¥503,000</b>
	A	<b>¥545,000</b>
PU Leather		<b>¥418,000</b>



# Slow Coffee Table by Space Copenhagen

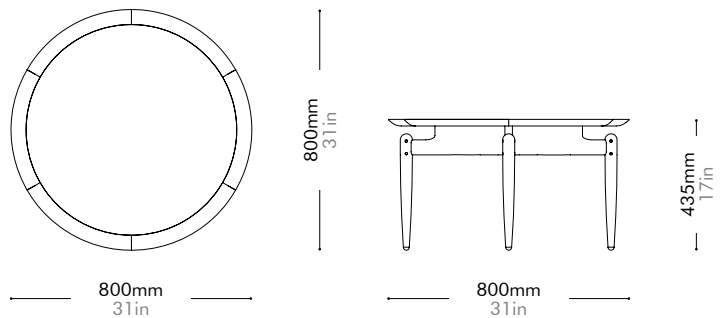


## SL-T210-800

Materials	Solid wood frame, wood veneer top	
Dimensions	C800 x H435mm   C30" x H17"	
Weight	6.5kg   14lb	
Upholstery		
Shipping Volume	0.16CBM	
Pkg Dimensions	FCL	W900 x D900 x H198mm; 9.51kg   W35" x D35" x H8"; 21lb
	LCL/AIR	W920 x D920 x H293mm; 19.35kg   W36" x D36" x H12"; 43lb

<b>Oak</b>	Lead time: 10-12 weeks
	<b>¥151,000</b>

<b>Walnut</b>	Lead time: 10-12 weeks
	<b>¥185,000</b>



# Slow Oval Coffee Table

by Space  
Copenhagen

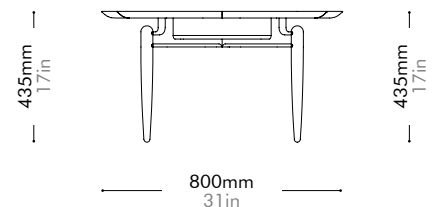
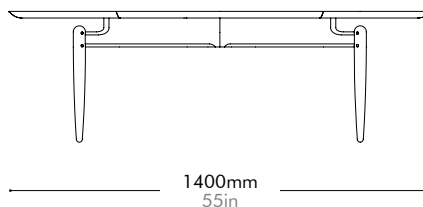


## SL-T220

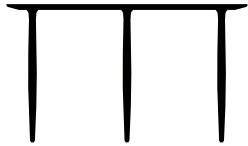
Materials	Solid wood frame, wood veneer top		
Dimensions	W1400 x D800 x H435mm   W55" x D31" x H17"		
Weight	13.0kg   29lb		
Upholstery			
Shipping Volume	0.23CBM		
Pkg Dimensions	FCL	W1465 x D865 x H180mm; 17.30kg   W58" x D34" x H7"; 38lb	
	LCL/AIR	W1485 x D885 x H275mm; 32.57kg   W58" x D35" x H11"; 72lb	

<b>Oak</b>	Lead time: 10-12 weeks
	<b>¥195,000</b>

<b>Walnut</b>	Lead time: 10-12 weeks
	<b>¥268,000</b>



# Slow Dining Table by Space Copenhagen

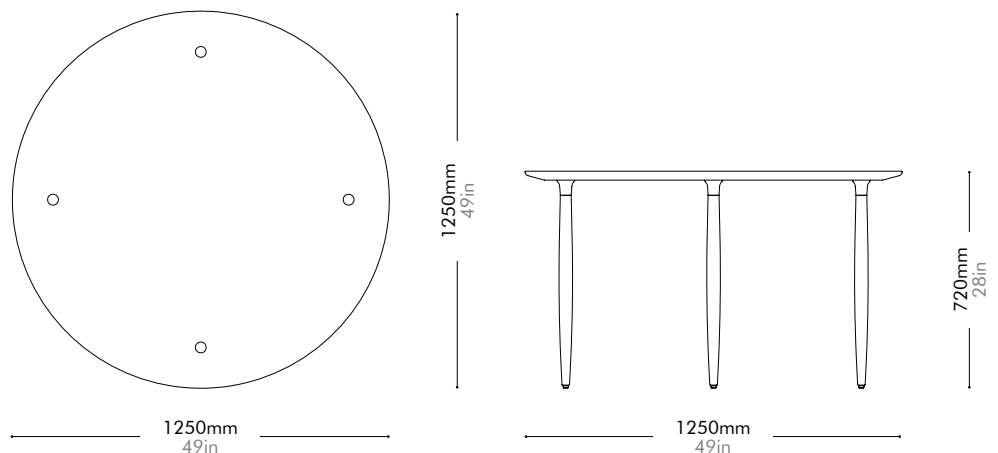


## SL-T410-1250

Materials	Solid wood frame, wood veneer top, stainless steel oil rubbed copper	
Dimensions	C1250 x H720mm   C49" x H28"	
Weight	25.0kg   55lb	
Upholstery		
Shipping Volume	0.18 + 0.12CBM	
Pkg Dimensions	FCL	W1325 x D1325 x H105mm; 22.11kg   W52" x D52" x H4"; 49lb
		W373 x D423 x H763mm; 13.53kg   W15" x D17" x H30"; 30lb
	LCL/AIR	W1345 x D1345 x H200mm; 43.13kg   W53" x D53" x H8"; 95lb
		W373 x D423 x H763mm; 15.36kg   W15" x D17" x H30"; 34lb

**Oak** Lead time: 10-12 weeks  
 ¥365,000

**Walnut** Lead time: 10-12 weeks  
 ¥428,000



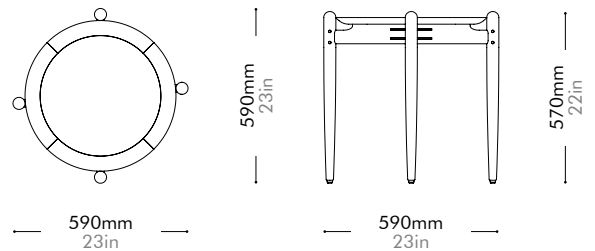
# Slow Folding Tray Table by Space Copenhagen



## SL-T230

Materials	Solid wood frame, wood veneer top, stainless steel oil rubbed copper		
Dimensions	C590 x H570mm   C23" x H22"		
Weight	6.0kg   13lb		
Upholstery			
Shipping Volume	0.09CBM		
Pkg Dimensions	FCL	W715 x D635 x H190mm; 7.87kg   W28" x D25" x H7"; 17lb	
	LCL/AIR	W735 x D655 x H285mm; 13.46kg   W29" x D26" x H11"; 30lb	

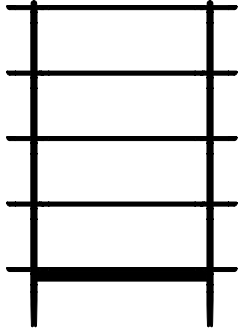
<b>Oak</b>	Lead time: 10-12 weeks	<b>Walnut</b>	Lead time: 10-12 weeks
	<b>¥136,000</b>		<b>¥157,000</b>





# Slow Shelf 5

by Space  
Copenhagen



## SL-SF110-5

Materials Solid wood frame, wood veneer shelves, stainless steel oil rubbed copper

Dimensions W1200 x D375 x H1700mm | W47" x D15" x H67"

Weight 36.0kg | 79lb

Upholstery

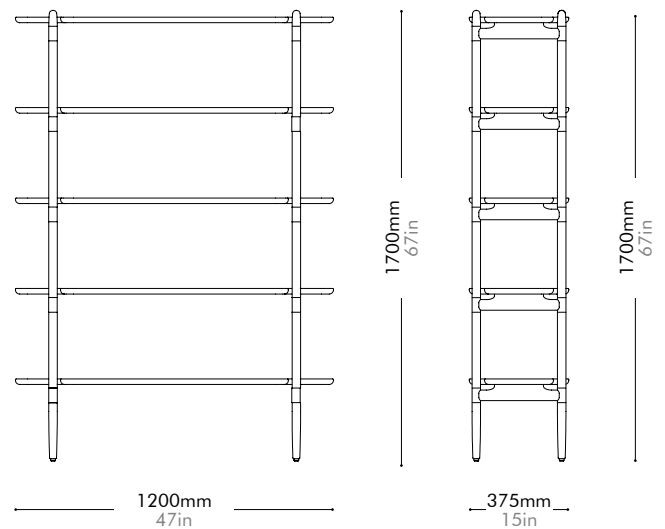
Shipping Volume 0.31CBM

Pkg Dimensions FCL W1300 x D440 x H550mm; 40.58kg | W51" x D17" x H22"; 89lb

LCL/AIR W1340 x D480 x H640mm; 48.05kg | W53" x D19" x H25"; 106lb

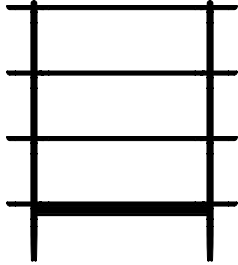
**Oak** Lead time: 10-12 weeks  
¥396,000

**Walnut** Lead time: 10-12 weeks  
¥457,000



# Slow Shelf 4

by Space  
Copenhagen



## SL-SF110-4

Materials Solid wood frame, wood veneer shelves, stainless steel oil rubbed copper

Dimensions W1200 x D375 x H1360mm | W47" x D15" x H54"

Weight 28.0kg | 62lb

Upholstery

Shipping Volume 0.26CBM

Pkg Dimensions FCL W1300 x D440 x H460mm; 31.96kg | W51" x D17" x H18"; 70lb

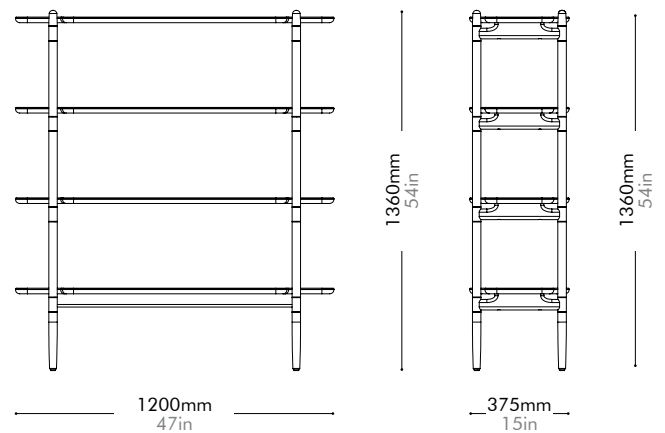
LCL/AIR W1340 x D480 x H550mm; 39.43kg | W53" x D19" x H22"; 87lb

**Oak** Lead time: 10-12 weeks

**Walnut** Lead time: 10-12 weeks

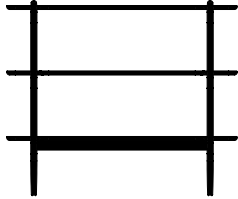
**¥336,000**

**¥385,000**



# Slow Shelf 3

by Space  
Copenhagen



## SL-SF110-3

Materials Solid wood frame, wood veneer shelves, stainless steel oil rubbed copper

Dimensions W1200 x D375 x H1020mm | W47" x D15" x H40"

Weight 21.0kg | 46lb

Upholstery

Shipping Volume 0.21CBM

Pkg Dimensions FCL W1300 x D440 x H360mm; 24.32kg | W51" x D17" x H14"; 54lb

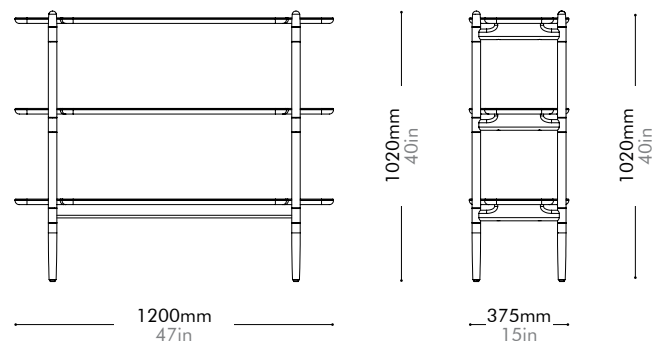
LCL/AIR W1340 x D480 x H450mm; 31.79kg | W53" x D19" x H18"; 70lb

**Oak** Lead time: 10-12 weeks

**Walnut** Lead time: 10-12 weeks

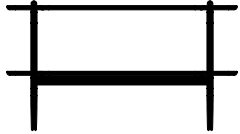
**¥274,000**

**¥311,000**



# Slow Shelf 2

by Space  
Copenhagen



## SL-SF110-2

Materials Solid wood frame, wood veneer shelves, stainless steel oil rubbed copper

Dimensions W1200 x D375 x H680mm | W47" x D15" x H40"

Weight 14.0kg | 46lb

Upholstery

Shipping Volume 0.14CBM

Pkg Dimensions FCL W1300 x D440 x H245mm; 16.65kg | W51" x D17" x H10"; 37lb

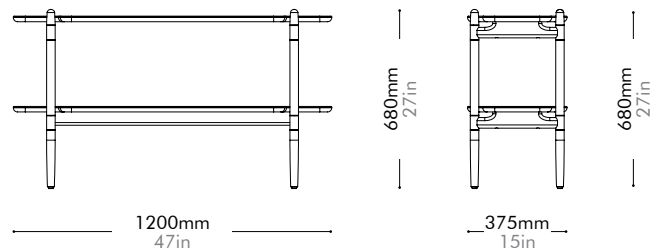
LCL/AIR W1340 x D480 x H335mm; 24.12kg | W53" x D19" x H13"; 53lb

**Oak** Lead time: 10-12 weeks

**Walnut** Lead time: 10-12 weeks

**¥200,000**

**¥225,000**



# Stack Dining Chair by Neri&Hu

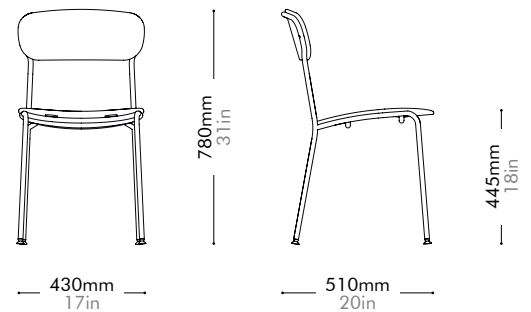


## ST-S210

Materials	Steel black powder coat matt, wood veneer seat & back		
Dimensions	W430 x D510 x H780mm; SH: 445mm   W17" x D20" x H31"; SH: 18"		
Weight	4.85kg   11lb		
Upholstery			
Package Qty	2 pcs/box		
Shipping Volume	0.31CBM		
Pkg Dimensions	FCL	W550 x D650 x H880mm; 10.32kg   W22" x D26" x H35"; 23lb	
	LCL/AIR	W590 x D690 x H970mm; 15.05kg   W23" x D27" x H38"; 33lb	

\* 2 PCS PER BOX, MOQ IS THE MULTIPLE OF 2

Oak	Lead time: 10-12 weeks	Walnut	Lead time: 10-12 weeks
1 PCS	¥53,000	1 PCS	¥54,000



# Stay Dining Chair

by Michele De Lucchi

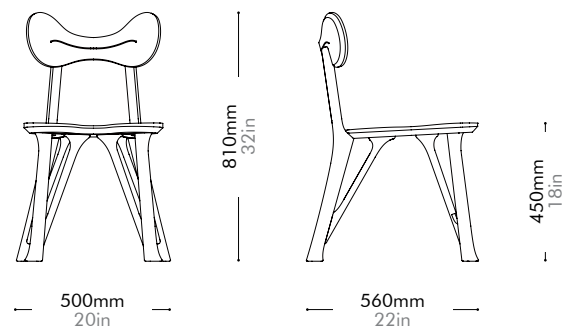


## SA-S210

Materials	Solid wood		
Dimensions	W500 x D560 x H810mm; SH: 450mm   W20" x D22" x H32"; SH: 18"		
Weight	5.0kg   11lb		
Upholstery			
Shipping Volume	0.32CBM		
Pkg Dimensions	FCL	W565 x D625 x H895mm; 10.55kg   W22" x D25" x H25"; 23lb	
	LCL/AIR	W605 x D665 x H985mm; 15.22kg   W24" x D26" x H39"; 34lb	

**Oak** Lead time: 10-12 weeks  
**¥174,000**

**Walnut** Lead time: 10-12 weeks  
**¥243,000**



# Stay Dining Table

by Michele De Lucchi



## SA-T410

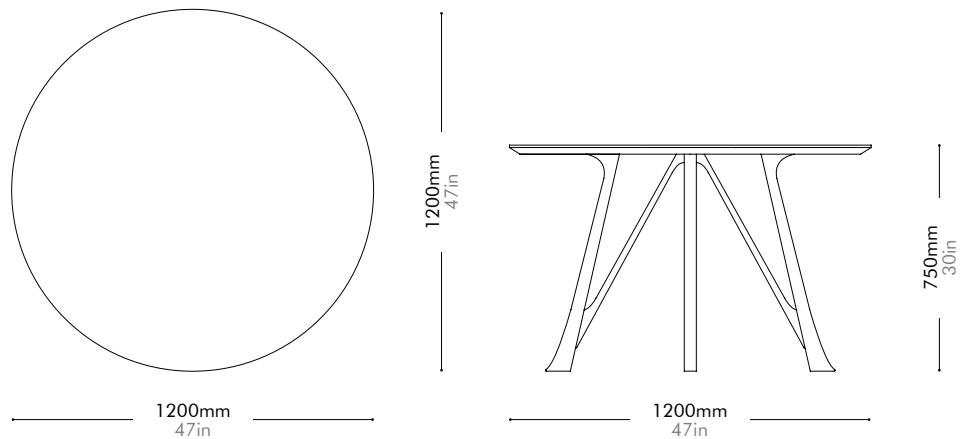
Materials	Solid wood, steel black powder coat matt	
Dimensions	C1200 x H750mm   C47" x H30"	
Weight	37.0kg   82lb	
Upholstery		
Shipping Volume	0.19 + 0.48CBM	
Pkg Dimensions	FCL	W1315 x D1315 x H110mm; 27.08kg   W52" x D52" x H4"; 60lb
		W765 x D765 x H815mm; 21.24kg   W30" x D30" x H32"; 47lb
	LCL/AIR	W1355 x D1355 x H200mm; 48.41kg   W53" x D53" x H8"; 107lb
		W805 x D805 x H905mm; 28.77kg   W32" x D32" x H36"; 63lb

**Oak** Lead time: 10-12 weeks

¥293,000

**Walnut** Lead time: 10-12 weeks

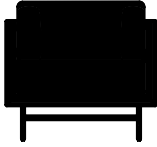
¥340,000



# SW Sofa

## One Seater

by OEO Studio

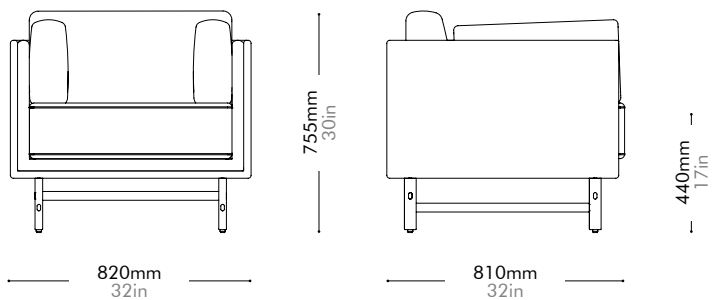


### SW-S401

Materials	Solid oak base, upholstery		
Dimensions	W820 x D810 x H755mm; SH: 440mm   W32" x D32" x H30"; SH: 17"		
Weight	45.0kg   99lb		
Upholstery	8.8M   143.0SF	Fabric + Leather	6.6M+32.0SF
Shipping Volume	0.65CBM		
Pkg Dimensions	FCL	W885 x D875 x H840mm; 52.40kg   W34" x D34" x H33"; 116lb	
	LCL/AIR	W905 x D895 x H935mm; 61.81kg   W36" x D35" x H37"; 136lb	

Oak	Lead time: 10-12 weeks	
COM/COL		<b>¥254,000</b>
Fabric	C	<b>¥254,000</b>
	B	<b>¥396,000</b>
	A	<b>¥446,000</b>
Leather	C	<b>¥391,000</b>
	B	<b>¥525,000</b>
	A	<b>¥651,000</b>
PU Leather		<b>¥254,000</b>

Oak	Lead time: 10-12 weeks	
Fabric + Leather	C+C	<b>¥287,000</b>
	C+B	<b>¥318,000</b>
	C+A	<b>¥344,000</b>
	B+C	<b>¥392,000</b>
	B+B	<b>¥423,000</b>
	B+A	<b>¥452,000</b>
	A+C	<b>¥430,000</b>
	A+B	<b>¥461,000</b>
	A+A	<b>¥490,000</b>

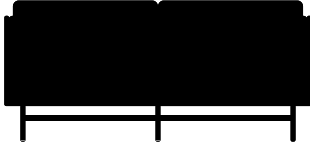




# SW Sofa

## Two Seater

by OEO Studio

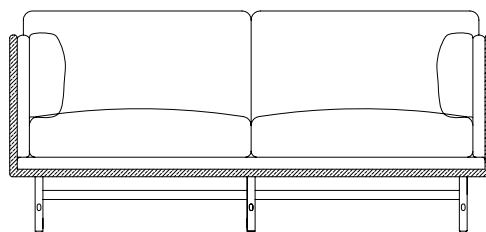


### SW-S411

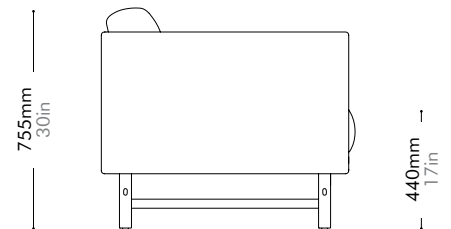
Materials	Solid oak base, upholstery		
Dimensions	W1600 x D810 x H755mm; SH: 440mm   W63" x D32" x H30"; SH: 17"		
Weight	78.5kg   173lb		
Upholstery	11.0M   187.OSF	Fabric + Leather	8.8M+44.OSF
Shipping Volume	1.30CBM		
Pkg Dimensions	FCL	W1685 x D895 x H860mm; 89.67kg   W66" x D35" x H34"; 198lb	
	LCL/AIR	W1705 x D915 x H955mm; 107.79kg   W67" x D36" x H38"; 238lb	

Oak	Lead time: 10-12 weeks	
COM/COL		<b>¥436,000</b>
Fabric	C	<b>¥436,000</b>
	B	<b>¥645,000</b>
	A	<b>¥719,000</b>
Leather	C	<b>¥652,000</b>
	B	<b>¥857,000</b>
	A	<b>¥1,050,000</b>
PU Leather		<b>¥436,000</b>

Oak	Lead time: 10-12 weeks	
Fabric + Leather	C+C	<b>¥491,000</b>
	C+B	<b>¥539,000</b>
	C+A	<b>¥584,000</b>
	B+C	<b>¥658,000</b>
	B+B	<b>¥706,000</b>
	B+A	<b>¥751,000</b>
	A+C	<b>¥716,000</b>
	A+B	<b>¥765,000</b>
	A+A	<b>¥810,000</b>



1600mm  
63in



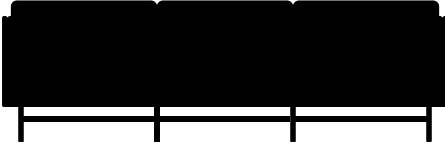
810mm  
32in

440mm  
17in

# SW Sofa

## Three Seater

by OEO Studio

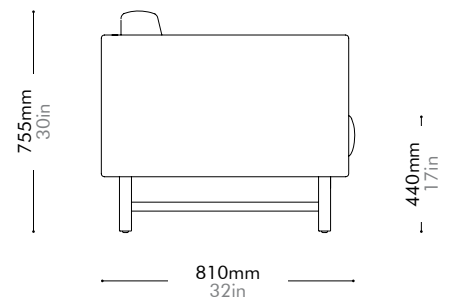
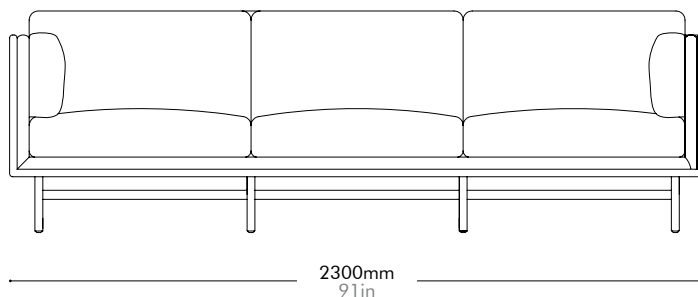


### SW-S421

Materials	Solid oak base, upholstery		
Dimensions	W2300 x D810 x H755mm; SH: 440mm   W91" x D32" x H30"; SH: 17"		
Weight	103.5kg   228lb		
Upholstery	13.2M   253.0SF	Fabric + Leather	11.0M+55.0SF
Shipping Volume	1.84CBM		
Pkg Dimensions	FCL	W2385 x D895 x H860mm; 117.74kg   W94" x D35" x H34"; 260lb	
	LCL/AIR	W2405 x D915 x H955mm; 143.31kg   W95" x D36" x H38"; 316lb	

<b>Oak</b>		Lead time: 10-12 weeks
COM/COL		<b>¥509,000</b>
Fabric	C	<b>¥509,000</b>
	B	<b>¥760,000</b>
	A	<b>¥848,000</b>
Leather	C	<b>¥816,000</b>
	B	<b>¥1,093,000</b>
	A	<b>¥1,354,000</b>
PU Leather		<b>¥509,000</b>

<b>Oak</b>		Lead time: 10-12 weeks
Fabric + Leather	C+C	<b>¥582,000</b>
	C+B	<b>¥642,000</b>
	C+A	<b>¥699,000</b>
	B+C	<b>¥791,000</b>
	B+B	<b>¥851,000</b>
	B+A	<b>¥908,000</b>
	A+C	<b>¥864,000</b>
	A+B	<b>¥924,000</b>
	A+A	<b>¥981,000</b>



# SW Daybed by OEO Studio

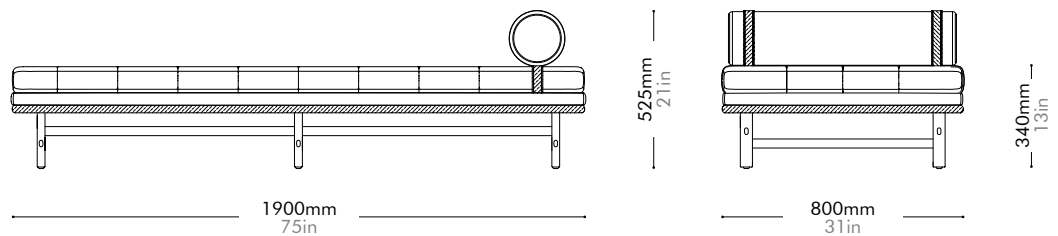


## SW-B110

Materials	Solid oak base, upholstery		
Dimensions	W1900 x D800 x H525mm; SH: 340mm   W75" x D31" x H21"; SH: 13"		
Weight	38.5kg   85lb		
Upholstery	6.1M   99.0SF	Fabric + Leather	5.0M+16.5SF
Shipping Volume	0.72CBM		
Pkg Dimensions	FCL	W1965 x D865 x H423mm; 46.19kg   W77" x D34" x H17"; 102lb	
	LCL/AIR	W1985 x D885 x H518mm; 66.60kg   W78" x D35" x H20"; 147lb	

Oak		Lead time: 10-12 weeks
COM/COL		¥365,000
Fabric	C	¥365,000
	B	¥469,000
	A	¥505,000
Leather	C	¥466,000
	B	¥565,000
	A	¥657,000
PU Leather		¥365,000

Oak		Lead time: 10-12 weeks
Fabric + Leather	C+C	¥381,000
	C+B	¥397,000
	C+A	¥413,000
	B+C	¥466,000
	B+B	¥483,000
	B+A	¥498,000
	A+C	¥496,000
	A+B	¥513,000
	A+A	¥528,000



# Taylor Dining Chair

by Yabu Pushelberg



## TA-S210

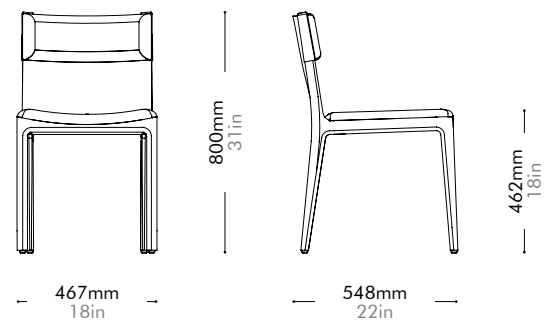
Materials	Solid wood frame, upholstery		
Dimensions	W467 x D548 x H800mm; SH: 462mm   W18" x D22" x H31"; SH: 18"		
Weight	5.0kg   11lb		
Upholstery	1.0M   28.0SF		
Shipping Volume	0.30CBM		
Pkg Dimensions	FCL	W600 x D600 x H830mm; 10.11kg   W24" x D24" x H33"; 22lb	
	LCL/AIR	W620 x D620 x H925mm; 14.58kg   W24" x D24" x H36"; 32lb	

### Oak Lead time: 10-12 weeks

COM/COL		<b>¥182,000</b>
Fabric	C	<b>¥182,000</b>
	B	<b>¥212,000</b>
	A	<b>¥218,000</b>
Leather	C	<b>¥229,000</b>
	B	<b>¥258,000</b>
	A	<b>¥284,000</b>
PU Leather		<b>¥182,000</b>

### Walnut Lead time: 10-12 weeks

COM/COL		<b>¥211,000</b>
Fabric	C	<b>¥211,000</b>
	B	<b>¥236,000</b>
	A	<b>¥242,000</b>
Leather	C	<b>¥253,000</b>
	B	<b>¥282,000</b>
	A	<b>¥308,000</b>
PU Leather		<b>¥211,000</b>



# Taylor Lounge Chair by Yabu Pushelberg



## TA-S112

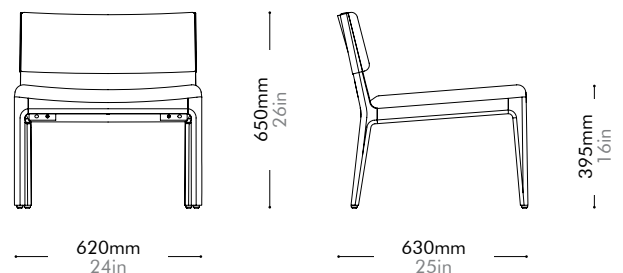
Materials	Solid wood frame, upholstery	
Dimensions	W620 x D630 x H650mm; SH: 395mm   W24" x D25" x H26"; SH: 16"	
Weight	7.0kg   15lb	
Upholstery	1.65M   44.OSF	
Shipping Volume	0.33CBM	
Pkg Dimensions	FCL	W690 x D690 x H700mm; 11.83kg   W27" x D27" x H28"; 26lb
	LCL/AIR	W710 x D710 x H795mm; 17.69kg   W28" x D28" x H31"; 39lb

### Oak Lead time: 10-12 weeks

COM/COL		<b>¥202,000</b>
Fabric	C	<b>¥202,000</b>
	B	<b>¥233,000</b>
	A	<b>¥244,000</b>
Leather	C	<b>¥233,000</b>
	B	<b>¥263,000</b>
	A	<b>¥292,000</b>
PU Leather		<b>¥202,000</b>

### Walnut Lead time: 10-12 weeks

COM/COL		<b>¥227,000</b>
Fabric	C	<b>¥227,000</b>
	B	<b>¥259,000</b>
	A	<b>¥270,000</b>
Leather	C	<b>¥259,000</b>
	B	<b>¥289,000</b>
	A	<b>¥317,000</b>
PU Leather		<b>¥227,000</b>



# Taylor Bar Chair SH610

by Yabu Pushelberg



## TA-S310-610

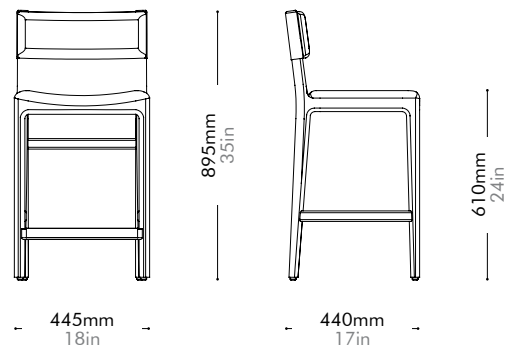
Materials	Solid wood frame, upholstery, stainless steel hairline aged gold		
Dimensions	W445 x D440 x H895mm; SH: 610mm   W18" x D17" x H35"; SH: 24"		
Weight	6.0kg   13lb		
Upholstery	0.9M   23.0SF		
Shipping Volume	0.36CBM		
Pkg Dimensions	FCL	W600 x D600 x H1000mm; 12.40kg   W24" x D24" x H39"; 27lb	
	LCL/AIR	W620 x D620 x H1095mm; 16.87kg   W24" x D24" x H43"; 37lb	

### Oak Lead time: 10-12 weeks

COM/COL		<b>¥223,000</b>
Fabric	C	<b>¥223,000</b>
	B	<b>¥242,000</b>
	A	<b>¥248,000</b>
Leather	C	<b>¥256,000</b>
	B	<b>¥283,000</b>
	A	<b>¥309,000</b>
PU Leather		<b>¥223,000</b>

### Walnut Lead time: 10-12 weeks

COM/COL		<b>¥253,000</b>
Fabric	C	<b>¥253,000</b>
	B	<b>¥272,000</b>
	A	<b>¥278,000</b>
Leather	C	<b>¥286,000</b>
	B	<b>¥313,000</b>
	A	<b>¥339,000</b>
PU Leather		<b>¥253,000</b>



# Taylor Bar Chair SH750

by Yabu Pushelberg



## TA-S310-750

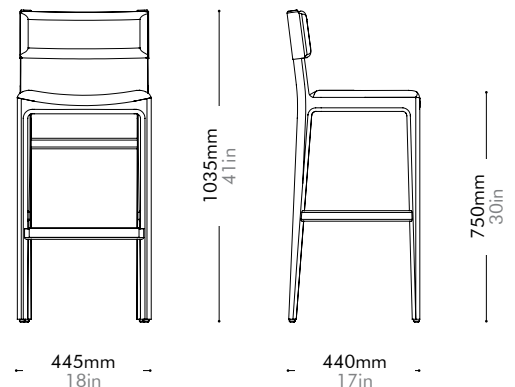
Materials	Solid wood frame, upholstery, stainless steel hairline aged gold		
Dimensions	W445 x D440 x H1035mm; SH: 750mm   W18" x D17" x H41"; SH: 30"		
Weight	6.5kg   14lb		
Upholstery	0.9M   23.0SF		
Shipping Volume	0.41CBM		
Pkg Dimensions	FCL	W600 x D600 x H1140mm; 14.07kg   W24" x D24" x H45"; 31lb	
	LCL/AIR	W620 x D620 x H1235mm; 18.54kg   W24" x D24" x H49"; 41lb	

### Oak Lead time: 10-12 weeks

COM/COL		<b>¥228,000</b>
Fabric	C	<b>¥228,000</b>
	B	<b>¥246,000</b>
	A	<b>¥253,000</b>
Leather	C	<b>¥261,000</b>
	B	<b>¥288,000</b>
	A	<b>¥313,000</b>
PU Leather		<b>¥228,000</b>

### Walnut Lead time: 10-12 weeks

COM/COL		<b>¥263,000</b>
Fabric	C	<b>¥263,000</b>
	B	<b>¥282,000</b>
	A	<b>¥288,000</b>
Leather	C	<b>¥296,000</b>
	B	<b>¥323,000</b>
	A	<b>¥348,000</b>
PU Leather		<b>¥263,000</b>



# Taylor Dining Table

by Yabu Pushelberg



## TA-T410

Materials Solid wood legs, wood veneer top, stainless steel hairline black, steel black powder coat matt

Dimensions W2000 x D900 x H735mm | W79" x D35" x H29"

Weight 39.0kg | 86lb

Upholstery

Shipping Volume 0.48CBM

Pkg Dimensions FCL W2085 x D985 x H235mm; 46.08kg | W82" x D39" x H9"; 102lb

LCL/AIR W2125 x D1025 x H325mm; 71.39kg | W84" x D40" x H13"; 157lb

**Oak** Lead time: 10-12 weeks

**Walnut** Lead time: 10-12 weeks

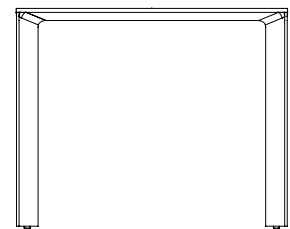
**¥414,000**

**¥478,000**



2000mm  
79in

735mm  
29in



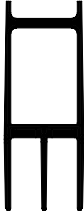
900mm  
35in

735mm  
29in



# Taylor Valet

by Yabu Pushelberg



**TA-V110**

Materials	Solid wood frame, wood veneer top		
Dimensions	W425 x D435 x H1090mm   W17" x D17" x H43"		
Weight	3.5kg   8lb		
Upholstery			
Shipping Volume	0.29CBM		
Pkg Dimensions	FCL	W490 x D500 x H1175mm; 10.47kg   W19" x D20" x H46"; 23lb	
	LCL/AIR	W530 x D540 x H1265mm; 13.80kg   W21" x D21" x H50"; 30lb	

**Oak**      Lead time: 10-12 weeks

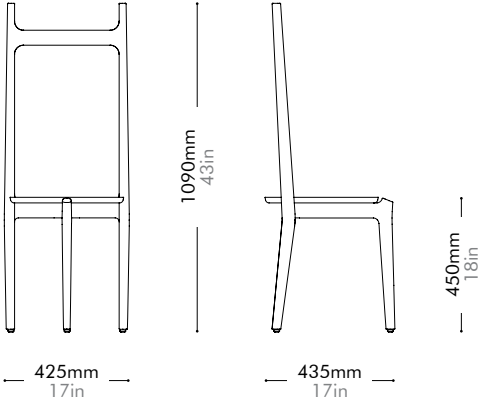
---

**¥148,000**

**Walnut**      Lead time: 10-12 weeks

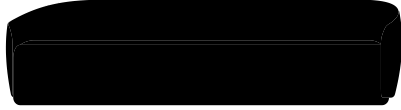
---

**¥178,000**



# Taylor Sofa

by Yabu Pushelberg

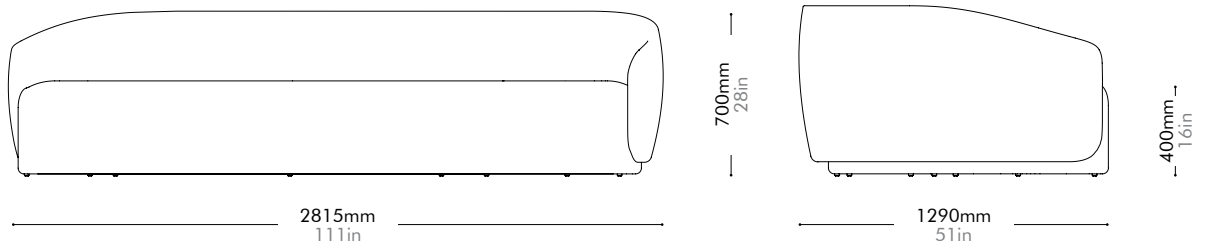


## TA-S420

Materials	Solid wood plywood frame, upholstery	
Dimensions	W2815 x D1290 x H700mm; SH: 400mm   W111" x D51" x H28"; SH: 16"	
Weight	80.0kg   176lb	
Upholstery	12.1M   297.OSF	
Shipping Volume	2.70CBM	
Pkg Dimensions	FCL	W2985 x D1125 x H805mm;98.29kg   W118" x D44" x H32"; 217lb
	LCL/AIR	W3025 x D1165 x H895mm;139.24kg   W119" x D46" x H35"; 307lb

Lead time: 10-12 weeks

COM/COL		<b>¥666,000</b>
Fabric	C	<b>¥666,000</b>
	B	<b>¥896,000</b>
	A	<b>¥976,000</b>
Leather	C	<b>¥1,055,000</b>
	B	<b>¥1,381,000</b>
	A	<b>¥1,686,000</b>
PU Leather		<b>¥666,000</b>



# Taylor Sofa

## One Seater

by Yabu Pushelberg

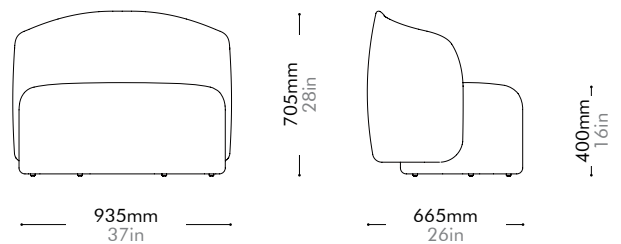


### TA-S410

Materials	Solid wood plywood frame, upholstery	
Dimensions	W935 x D665 x H705mm; SH: 400mm   W37" x D26" x H28"; SH: 16"	
Weight	23.0kg   51lb	
Upholstery	3.5M   100.0SF	
Shipping Volume	0.59CBM	
Pkg Dimensions	FCL	W1000 x D730 x H805mm; 29.93kg   W39" x D29" x H32"; 66lb
	LCL/AIR	W1040 x D770 x H895mm; 39.23kg   W41" x D30" x H35"; 86lb

Lead time: 10-12 weeks

COM/COL		<b>¥353,000</b>
Fabric	C	<b>¥353,000</b>
	B	<b>¥416,000</b>
	A	<b>¥437,000</b>
Leather	C	<b>¥469,000</b>
	B	<b>¥565,000</b>
	A	<b>¥654,000</b>
PU Leather		<b>¥353,000</b>



# Taylor Sofa One Seater-Swivel

by Yabu Pushelberg

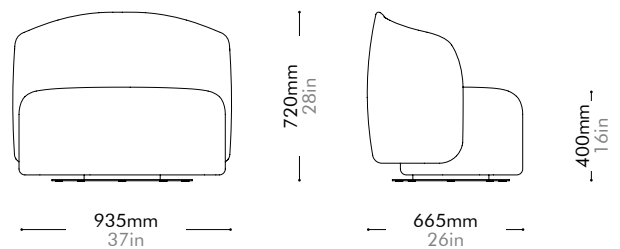


## TA-S411

Materials	Solid wood plywood frame, upholstery, steel automatic reset 180° turntable	
Dimensions	W935 x D665 x H720mm; SH: 400mm   W37" x D26" x H28"; SH: 16"	
Weight	33.0kg   73lb	
Upholstery	3.5M   100.0SF	
Shipping Volume	0.59CBM	
Pkg Dimensions	FCL	W1000 x D730 x H805mm; 39.93kg   W39" x D29" x H32"; 88lb
	LCL/AIR	W1040 x D770 x H895mm; 49.23kg   W41" x D30" x H35"; 109lb

Lead time: 10-12 weeks

COM/COL		<b>¥511,000</b>
Fabric	C	<b>¥511,000</b>
	B	<b>¥573,000</b>
	A	<b>¥595,000</b>
Leather	C	<b>¥627,000</b>
	B	<b>¥722,000</b>
	A	<b>¥811,000</b>
PU Leather		<b>¥511,000</b>



# Utility Stacking Chair U

by Neri&Hu

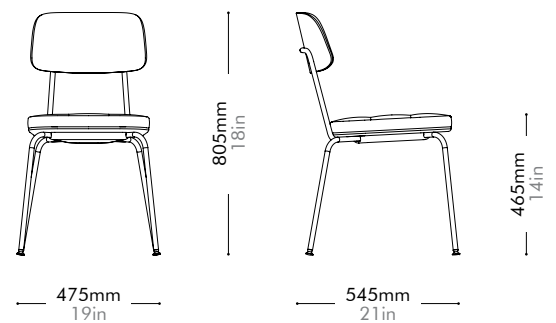


## UT-S230-UP

Materials	Steel hairline aged gold, upholstered seat and back		
Dimensions	W475 x D545 x H805mm; SH: 465mm   W19" x D21" x H32"; SH: 18"		
Weight	6.4kg   14lb		
Upholstery	0.6M   9.9SF		
Shipping Volume	0.30CBM		
Pkg Dimensions	FCL	W600 x D600 x H830mm; 11.51kg   W24" x D24" x H33"; 25lb	
	LCL/AIR	W620 x D620 x H925mm; 15.98kg   W24" x D24" x H36"; 35lb	

**Plywood** Lead time: 10-12 weeks

COM/COL		<b>¥106,000</b>
Fabric	C	<b>¥106,000</b>
	B	<b>¥116,000</b>
	A	<b>¥119,000</b>
Leather	C	<b>¥117,000</b>
	B	<b>¥127,000</b>
	A	<b>¥136,000</b>
PU Leather		<b>¥106,000</b>



# Utility Stacking Armchair U by Neri&Hu



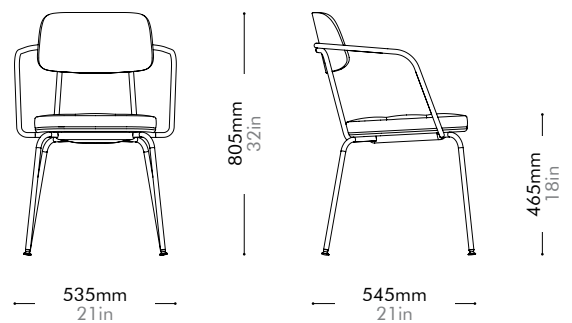
## UT-S231-UP

Materials	Steel hairline aged gold, upholstered seat and back		
Dimensions	W535 x D545 x H805mm; SH: 465mm   W21" x D21" x H32"; SH: 18"		
Weight	7.4kg   16lb		
Upholstery	0.6M   9.9SF		
Shipping Volume	0.30CBM		
Pkg Dimensions	FCL	W600 x D600 x H830mm; 12.51kg   W24" x D24" x H33"; 28lb	
	LCL/AIR	W620 x D620 x H925mm; 16.98kg   W24" x D24" x H36"; 37lb	

### Plywood

Lead time: 10-12 weeks

COM/COL		<b>¥121,000</b>
Fabric	C	<b>¥121,000</b>
	B	<b>¥130,000</b>
	A	<b>¥134,000</b>
Leather	C	<b>¥131,000</b>
	B	<b>¥141,000</b>
	A	<b>¥150,000</b>
PU Leather		<b>¥121,000</b>



# Utility Chair U

by Neri&Hu



## UT-S210-UP

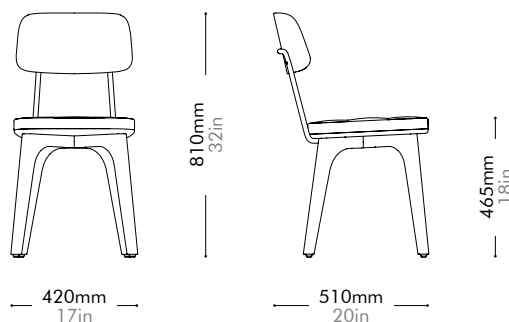
Materials	Solid wood legs, plywood panel, steel hairline aged gold, upholstery		
Dimensions	W420 x D510 x H810mm; SH: 465mm   W17" x D20" x H32"; SH: 18"		
Weight	6.5kg   14lb		
Upholstery	0.6M   9.9SF		
Shipping Volume	0.30CBM		
Pkg Dimensions	FCL	W600 x D600 x H830mm; 11.61kg   W24" x D24" x H23"; 26lb	
	LCL/AIR	W620 x D620 x H925mm; 16.08kg   W24" x D24" x H36"; 35lb	

### Oak Lead time: 10-12 weeks

COM/COL		<b>¥116,000</b>
Fabric	C	<b>¥116,000</b>
	B	<b>¥125,000</b>
	A	<b>¥128,000</b>
Leather	C	<b>¥126,000</b>
	B	<b>¥136,000</b>
	A	<b>¥145,000</b>
PU Leather		<b>¥116,000</b>

### Walnut Lead time: 10-12 weeks

COM/COL		<b>¥128,000</b>
Fabric	C	<b>¥128,000</b>
	B	<b>¥138,000</b>
	A	<b>¥141,000</b>
Leather	C	<b>¥139,000</b>
	B	<b>¥148,000</b>
	A	<b>¥157,000</b>
PU Leather		<b>¥128,000</b>



# Utility Armchair U by Neri&Hu

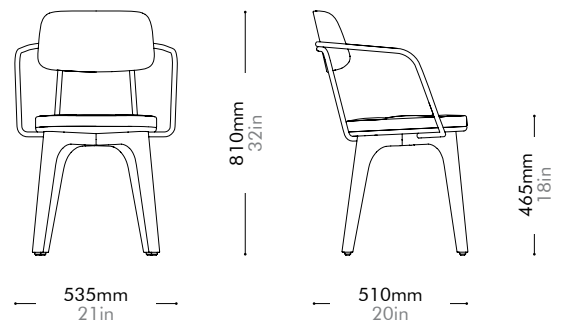


## UT-S211-UP

Materials	Solid wood legs, plywood panel, steel hairline aged gold, upholstery		
Dimensions	W535 x D510 x H810mm; SH: 465mm   W21" x D20" x H32"; SH: 18"		
Weight	7.5kg   17lb		
Upholstery	0.6M   9.9SF		
Shipping Volume	0.30CBM		
Pkg Dimensions	FCL	W600 x D600 x H830mm; 12.61kg   W24" x D24" x H33"; 28lb	
	LCL/AIR	W620 x D620 x H925mm; 17.08kg   W25" x D25" x H36"; 38lb	

<b>Oak</b>		Lead time: 10-12 weeks
COM/COL		<b>¥131,000</b>
Fabric	C	<b>¥131,000</b>
	B	<b>¥141,000</b>
	A	<b>¥145,000</b>
Leather	C	<b>¥142,000</b>
	B	<b>¥153,000</b>
	A	<b>¥162,000</b>
PU Leather		<b>¥131,000</b>

<b>Walnut</b>		Lead time: 10-12 weeks
COM/COL		<b>¥144,000</b>
Fabric	C	<b>¥144,000</b>
	B	<b>¥154,000</b>
	A	<b>¥158,000</b>
Leather	C	<b>¥156,000</b>
	B	<b>¥166,000</b>
	A	<b>¥176,000</b>
PU Leather		<b>¥144,000</b>





# Utility Chair V

by Neri&Hu

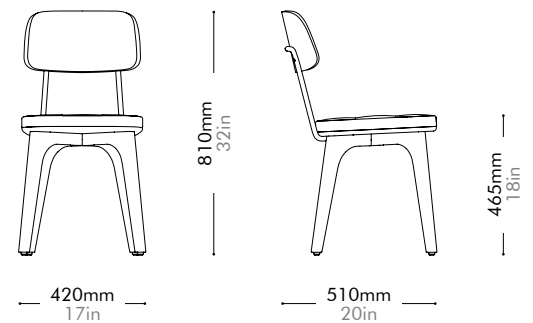


## UT-S210-WD

Materials	Solid wood legs, plywood panel, steel hairline aged gold, upholstery		
Dimensions	W420 x D510 x H810mm; SH: 465mm   W17" x D20" x H32"; SH: 18"		
Weight	6.5kg   14lb		
Upholstery	0.3M   5.5SF		
Shipping Volume	0.30CBM		
Pkg Dimensions	FCL	W600 x D600 x H830mm; 11.61kg   W24" x D24" x H33"; 26lb	
	LCL/AIR	W620 x D620 x H925mm; 16.08kg   W24" x D24" x H36"; 35lb	

<b>Oak</b>		Lead time: 10-12 weeks
COM/COL		<b>¥119,000</b>
Fabric	C	<b>¥119,000</b>
	B	<b>¥125,000</b>
	A	<b>¥127,000</b>
Leather	C	<b>¥125,000</b>
	B	<b>¥131,000</b>
	A	<b>¥136,000</b>
PU Leather		<b>¥119,000</b>

<b>Walnut</b>		Lead time: 10-12 weeks
COM/COL		<b>¥134,000</b>
Fabric	C	<b>¥134,000</b>
	B	<b>¥140,000</b>
	A	<b>¥142,000</b>
Leather	C	<b>¥140,000</b>
	B	<b>¥146,000</b>
	A	<b>¥151,000</b>
PU Leather		<b>¥134,000</b>



# Utility Armchair V by Neri&Hu

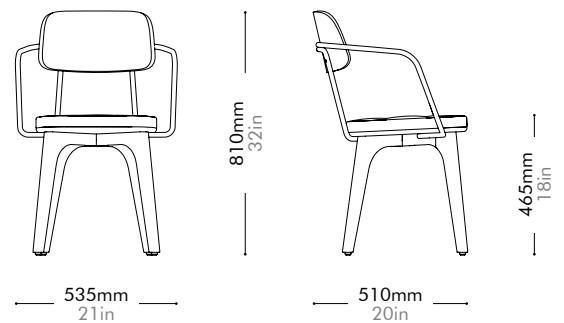


## UT-S211-WD

Materials	Solid wood legs, plywood panel, steel hairline aged gold, upholstery	
Dimensions	W535 x D510 x H810mm; SH: 465mm   W35.5" x D33.5" x H31"; SH: 15"	
Weight	7.5kg   17lb	
Upholstery	0.3M   5.5SF	
Shipping Volume	0.30CBM	
Pkg Dimensions	FCL	W600 x D600 x H830mm; 12.61kg   W24" x D24" x H33"; 28lb
	LCL/AIR	W620 x D620 x H925mm; 17.08kg   W24" x D24" x H36"; 38lb

<b>Oak</b>		Lead time: 10-12 weeks
COM/COL		<b>¥130,000</b>
Fabric	C	<b>¥130,000</b>
	B	<b>¥136,000</b>
	A	<b>¥138,000</b>
Leather	C	<b>¥136,000</b>
	B	<b>¥141,000</b>
	A	<b>¥147,000</b>
PU Leather		<b>¥130,000</b>

<b>Walnut</b>		Lead time: 10-12 weeks
COM/COL		<b>¥145,000</b>
Fabric	C	<b>¥145,000</b>
	B	<b>¥151,000</b>
	A	<b>¥153,000</b>
Leather	C	<b>¥151,000</b>
	B	<b>¥157,000</b>
	A	<b>¥162,000</b>
PU Leather		<b>¥145,000</b>



# Utility Highback Chair by Neri&Hu



## UT-S220

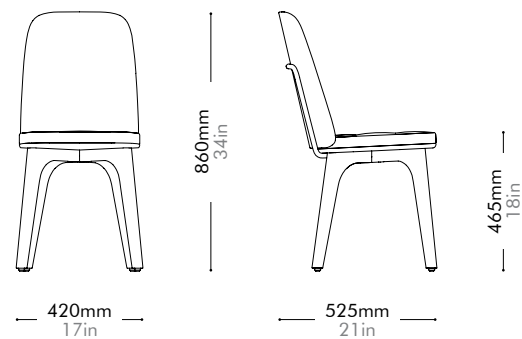
Materials	Solid wood legs, plywood panel, steel hairline aged gold, upholstery		
Dimensions	W420 x D525 x H860mm; SH: 465mm   W17" x D21" x H34"; SH: 18"		
Weight	6.5kg   14lb		
Upholstery	0.9M   15.4SF		
Shipping Volume	0.32CBM		
Pkg Dimensions	FCL	W600 x D600 x H880mm; 11.98kg   W24" x D24" x H35"; 26lb	
	LCL/AIR	W620 x D620 x H975mm; 16.44kg   W24" x D24" x H38"; 36lb	

### Oak Lead time: 10-12 weeks

COM/COL		<b>¥137,000</b>
Fabric	C	<b>¥137,000</b>
	B	<b>¥153,000</b>
	A	<b>¥159,000</b>
Leather	C	<b>¥155,000</b>
	B	<b>¥171,000</b>
	A	<b>¥186,000</b>
PU Leather		<b>¥137,000</b>

### Walnut Lead time: 10-12 weeks

COM/COL		<b>¥151,000</b>
Fabric	C	<b>¥151,000</b>
	B	<b>¥166,000</b>
	A	<b>¥172,000</b>
Leather	C	<b>¥168,000</b>
	B	<b>¥184,000</b>
	A	<b>¥199,000</b>
PU Leather		<b>¥151,000</b>



# Utility Highback Armchair by Neri&Hu

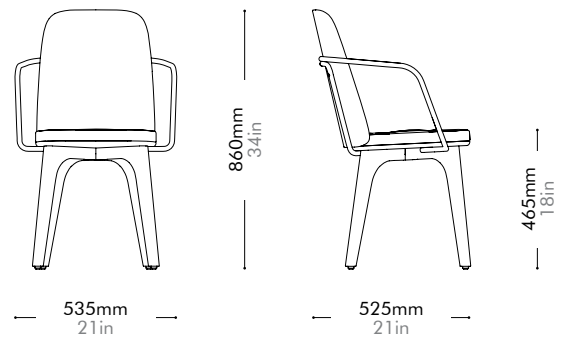


## UT-S221

Materials	Solid wood legs, plywood panel, steel hairline aged gold, upholstery		
Dimensions	W535 x D525 x H860mm; SH: 465mm   W21" x D21" x H34"; SH: 18"		
Weight	8.0kg   18lb		
Upholstery	0.9M   15.4SF		
Shipping Volume	0.32CBM		
Pkg Dimensions	FCL	W600 x D600 x H880mm; 13.48kg   W24" x D24" x H35"; 30lb	
	LCL/AIR	W620 x D620 x H975mm; 17.94kg   W24" x D24" x H38"; 40lb	

<b>Oak</b>		Lead time: 10-12 weeks
COM/COL		<b>¥144,000</b>
Fabric	C	<b>¥144,000</b>
	B	<b>¥160,000</b>
	A	<b>¥165,000</b>
Leather	C	<b>¥161,000</b>
	B	<b>¥177,000</b>
	A	<b>¥192,000</b>
PU Leather		<b>¥144,000</b>

<b>Walnut</b>		Lead time: 10-12 weeks
COM/COL		<b>¥158,000</b>
Fabric	C	<b>¥158,000</b>
	B	<b>¥174,000</b>
	A	<b>¥180,000</b>
Leather	C	<b>¥176,000</b>
	B	<b>¥192,000</b>
	A	<b>¥207,000</b>
PU Leather		<b>¥158,000</b>



# Utility Lounge Chair by Neri&Hu

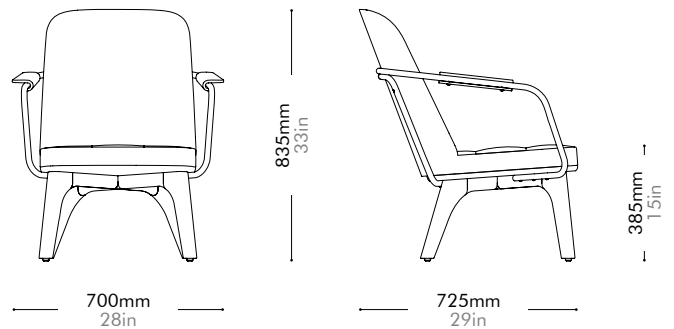


## UT-S111

Materials	Solid wood legs, plywood panel, steel hairline aged gold, upholstery		
Dimensions	W700 x D725 x H835mm; SH: 385mm   W28" x D29" x H33"; SH: 15"		
Weight	16.0kg   35lb		
Upholstery	1.4M   28.6SF		
Shipping Volume	0.56CBM		
Pkg Dimensions	FCL	W765 x D790 x H920mm; 23.20kg   W30" x D31" x H36"; 51lb	
	LCL/AIR	W785 x D810 x H1015mm; 30.59kg   W31" x D32" x H40"; 67lb	

<b>Oak</b>		Lead time: 10-12 weeks
COM/COL		<b>¥204,000</b>
Fabric	C	<b>¥204,000</b>
	B	<b>¥231,000</b>
	A	<b>¥240,000</b>
Leather	C	<b>¥239,000</b>
	B	<b>¥270,000</b>
	A	<b>¥300,000</b>
PU Leather		<b>¥204,000</b>

<b>Walnut</b>		Lead time: 10-12 weeks
COM/COL		<b>¥222,000</b>
Fabric	C	<b>¥222,000</b>
	B	<b>¥249,000</b>
	A	<b>¥259,000</b>
Leather	C	<b>¥257,000</b>
	B	<b>¥289,000</b>
	A	<b>¥318,000</b>
PU Leather		<b>¥222,000</b>



# Utility Lounge Chair - Half Back by Neri&Hu



## UT-S111-H

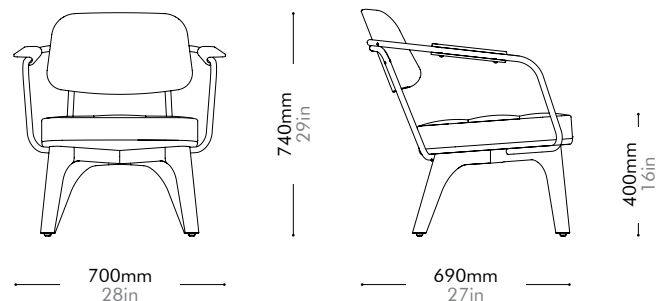
Materials	Solid wood legs, veneer plywood panel, steel hairline aged gold, upholstery		
Dimensions	W700 x D690 x H740mm; SH: 400mm   W28" x D27" x H29"; SH: 16"		
Weight	10.0kg   22lb		
Upholstery	1.1M   23.1SF		
Shipping Volume	0.48CBM		
Pkg Dimensions	FCL	W765 x D755 x H825mm; 16.28kg   W30" x D30" x H32"; 36lb	
	LCL/AIR	W785 x D775 x H920mm; 23.35kg   W31" x D31" x H36"; 51lb	

### Oak Lead time: 10-12 weeks

COM/COL		<b>¥213,000</b>
Fabric	C	<b>¥213,000</b>
	B	<b>¥231,000</b>
	A	<b>¥237,000</b>
Leather	C	<b>¥238,000</b>
	B	<b>¥260,000</b>
	A	<b>¥281,000</b>
PU Leather		<b>¥213,000</b>

### Walnut Lead time: 10-12 weeks

COM/COL		<b>¥219,000</b>
Fabric	C	<b>¥219,000</b>
	B	<b>¥238,000</b>
	A	<b>¥244,000</b>
Leather	C	<b>¥244,000</b>
	B	<b>¥266,000</b>
	A	<b>¥287,000</b>
PU Leather		<b>¥219,000</b>



# Utility Lounge Chair - Full Back by Neri&Hu



## UT-S111-F

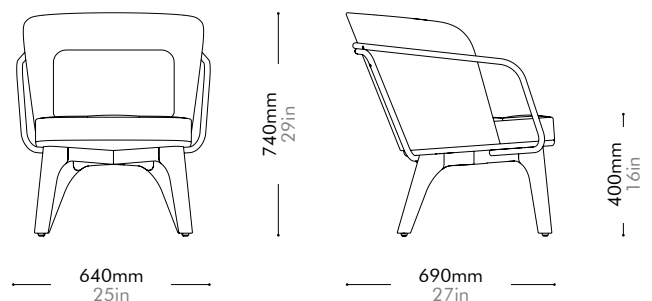
Materials	Solid wood legs, veneer plywood panel, steel hairline aged gold, upholstery		
Dimensions	W640 x D690 x H740mm; SH: 400mm   W25" x D27" x H29"; SH: 16"		
Weight	11.0kg   24lb		
Upholstery	2.1M   35.2SF		
Shipping Volume	0.44CBM		
Pkg Dimensions	FCL	W705 x D755 x H825mm; 17.04kg   W28" x D30" x H32"; 38lb	
	LCL/AIR	W725 x D775 x H920mm; 23.57kg   W29" x D31" x H36"; 52lb	

### Oak Lead time: 10-12 weeks

COM/COL		<b>¥279,000</b>
Fabric	C	<b>¥279,000</b>
	B	<b>¥314,000</b>
	A	<b>¥326,000</b>
Leather	C	<b>¥314,000</b>
	B	<b>¥348,000</b>
	A	<b>¥379,000</b>
PU Leather		<b>¥279,000</b>

### Walnut Lead time: 10-12 weeks

COM/COL		<b>¥292,000</b>
Fabric	C	<b>¥292,000</b>
	B	<b>¥327,000</b>
	A	<b>¥339,000</b>
Leather	C	<b>¥327,000</b>
	B	<b>¥361,000</b>
	A	<b>¥392,000</b>
PU Leather		<b>¥292,000</b>



# Utility Lounge Chair Two Seater - Full Back by Neri&Hu



## UT-S121-F

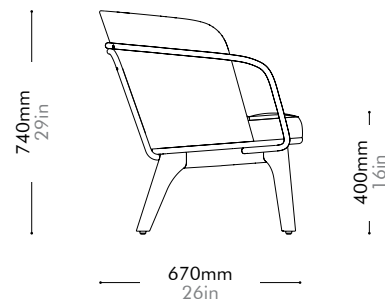
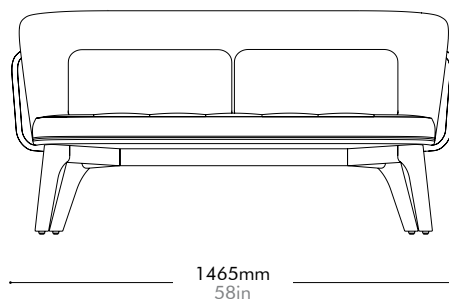
Materials	Solid wood legs, veneer plywood panel, steel hairline aged gold, upholstery		
Dimensions	W1465 x D670 x H740mm; SH: 400mm   W58" x D26" x H29"; SH: 16"		
Weight	20.0kg   44lb		
Upholstery	5.0M   104.5SF		
Shipping Volume	0.93CBM		
Pkg Dimensions	FCL	W1530 x D735 x H825mm; 29.18kg   W60" x D29" x H32"; 64lb	
	LCL/AIR	W1550 x D755 x H920mm; 42.78kg   W61" x D30" x H36"; 94lb	

### Oak Lead time: 10-12 weeks

COM/COL		<b>¥427,000</b>
Fabric	C	<b>¥427,000</b>
	B	<b>¥510,000</b>
	A	<b>¥539,000</b>
Leather	C	<b>¥541,000</b>
	B	<b>¥640,000</b>
	A	<b>¥734,000</b>
PU Leather		<b>¥427,000</b>

### Walnut Lead time: 10-12 weeks

COM/COL		<b>¥468,000</b>
Fabric	C	<b>¥468,000</b>
	B	<b>¥551,000</b>
	A	<b>¥580,000</b>
Leather	C	<b>¥581,000</b>
	B	<b>¥681,000</b>
	A	<b>¥774,000</b>
PU Leather		<b>¥468,000</b>





# Utility Lounge Chair Two Seater by Neri&Hu



## UT-S121

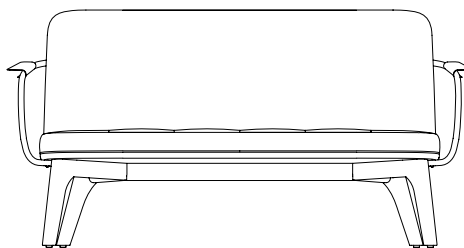
Materials	Solid wood legs, plywood panel, steel hairline aged gold, upholstery		
Dimensions	W1530 x D690 x H790mm; SH: 395mm   W60" x D27" x H31"; SH: 16"		
Weight	34.5kg   76lb		
Upholstery	3.9M   57.2SF		
Shipping Volume	1.05CBM		
Pkg Dimensions	FCL	W1595 x D775 x H875mm; 44.57kg   W63" x D31" x H34"; 98lb	
	LCL/AIR	W1615 x D775 x H970mm; 59.11kg   W64" x D31" x H38"; 130lb	

### Oak Lead time: 10-12 weeks

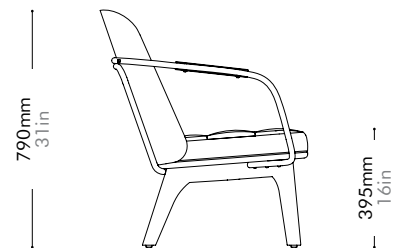
COM/COL		<b>¥424,000</b>
Fabric	C	<b>¥424,000</b>
	B	<b>¥497,000</b>
	A	<b>¥523,000</b>
Leather	C	<b>¥486,000</b>
	B	<b>¥549,000</b>
	A	<b>¥608,000</b>
PU Leather		<b>¥424,000</b>

### Walnut Lead time: 10-12 weeks

COM/COL		<b>¥452,000</b>
Fabric	C	<b>¥452,000</b>
	B	<b>¥525,000</b>
	A	<b>¥550,000</b>
Leather	C	<b>¥513,000</b>
	B	<b>¥576,000</b>
	A	<b>¥635,000</b>
PU Leather		<b>¥452,000</b>



1530mm  
60in



790mm  
31in

395mm  
16in

690mm  
27in

# Utility Bar Chair SH610 by Neri&Hu

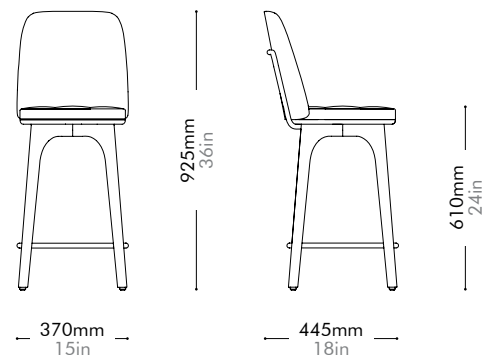


## UT-S310-610

Materials	Solid wood legs, plywood panel, steel hairline aged gold, upholstery		
Dimensions	W370 x D445 x H925mm; SH: 610mm   W15" x D18" x H36"; SH: 24"		
Weight	7.0kg   15lb		
Upholstery	0.9M   12.1SF		
Shipping Volume	0.22CBM		
Pkg Dimensions	FCL	W435 x D510 x H1010mm; 12.49kg   W17" x D20" x H40"; 28lb	
	LCL/AIR	W455 x D530 x H1105mm; 15.29kg   W20" x D21" x H44"; 34lb	

<b>Oak</b>		Lead time: 10-12 weeks
COM/COL		<b>¥145,000</b>
Fabric	C	<b>¥145,000</b>
	B	<b>¥161,000</b>
	A	<b>¥167,000</b>
Leather	C	<b>¥157,000</b>
	B	<b>¥170,000</b>
	A	<b>¥182,000</b>
PU Leather		<b>¥145,000</b>

<b>Walnut</b>		Lead time: 10-12 weeks
COM/COL		<b>¥159,000</b>
Fabric	C	<b>¥159,000</b>
	B	<b>¥175,000</b>
	A	<b>¥181,000</b>
Leather	C	<b>¥171,000</b>
	B	<b>¥184,000</b>
	A	<b>¥196,000</b>
PU Leather		<b>¥159,000</b>



# Utility bar Chair SH760

by Neri&Hu



## UT-S310-760

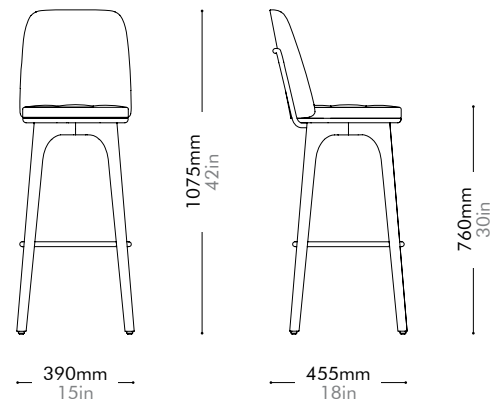
Materials	Solid wood legs, plywood panel, steel hairline aged gold, upholstery		
Dimensions	W390 x D455 x H1075mm; SH: 760mm   W35.5" x D33.5" x H31"; SH: 15"		
Weight	7.5kg   17lb		
Upholstery	0.9M   12.1SF		
Shipping Volume	0.27CBM		
Pkg Dimensions	FCL	W455 x D520 x H1160mm; 14.28kg   W20" x D20" x H46"; 31lb	
	LCL/AIR	W475 x D540 x H1255mm; 17.26kg   W19" x D21" x H49"; 38lb	

### Oak Lead time: 10-12 weeks

COM/COL		<b>¥146,000</b>
Fabric	C	<b>¥146,000</b>
	B	<b>¥162,000</b>
	A	<b>¥168,000</b>
Leather	C	<b>¥158,000</b>
	B	<b>¥171,000</b>
	A	<b>¥183,000</b>
PU Leather		<b>¥146,000</b>

### Walnut Lead time: 10-12 weeks

COM/COL		<b>¥164,000</b>
Fabric	C	<b>¥164,000</b>
	B	<b>¥180,000</b>
	A	<b>¥186,000</b>
Leather	C	<b>¥176,000</b>
	B	<b>¥189,000</b>
	A	<b>¥201,000</b>
PU Leather		<b>¥164,000</b>



# Utility Stool H460 by Neri&Hu



## UT-S610-460

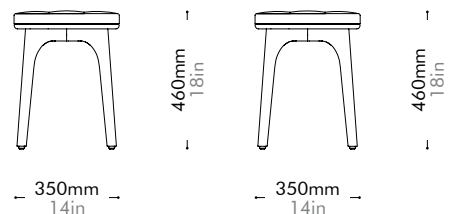
Materials	Solid wood legs, plywood panel, upholstery	
Dimensions	W350 x D350 x H460mm; SH: 460mm   W14" x D14" x H18"; SH: 18"	
Weight	3.5kg   8lb	
Upholstery	0.3M   5.5SF	
Shipping Volume	0.09CBM	
Pkg Dimensions	FCL	W415 x D415 x H545mm; 5.80kg   W16" x D16" x H21"; 13lb
	LCL/AIR	W435 x D435 x H565mm; 8.0kg   W17" x D17" x H22"; 18lb

### Oak Lead time: 10-12 weeks

COM/COL		<b>¥84,000</b>
Fabric	C	<b>¥84,000</b>
	B	<b>¥90,000</b>
	A	<b>¥92,000</b>
Leather	C	<b>¥90,000</b>
	B	<b>¥95,000</b>
	A	<b>¥101,000</b>
PU Leather		<b>¥84,000</b>

### Walnut Lead time: 10-12 weeks

COM/COL		<b>¥95,000</b>
Fabric	C	<b>¥95,000</b>
	B	<b>¥101,000</b>
	A	<b>¥103,000</b>
Leather	C	<b>¥101,000</b>
	B	<b>¥106,000</b>
	A	<b>¥112,000</b>
PU Leather		<b>¥95,000</b>



# Utility Stool H610 by Neri&Hu



## UT-S610-610

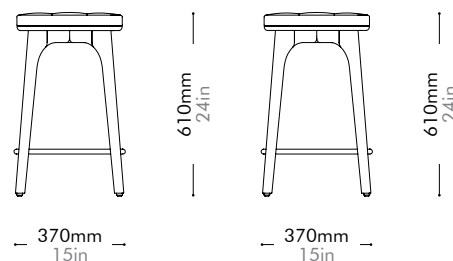
Materials	Solid wood legs, plywood panel, steel hairline aged gold, upholstery		
Dimensions	W370 x D370 x H610mm; SH: 610mm   W15" x D15" x H24"; SH: 24"		
Weight	5.0kg   11lb		
Upholstery	0.3M   5.5SF		
Shipping Volume	0.13CBM		
Pkg Dimensions	FCL	W435 x D435 x H695mm; 8.19kg   W17" x D17" x H27"; 18lb	
	LCL/AIR	W455 x D455 x H715mm; 10.60kg   W18" x D18" x H28"; 23lb	

### Oak Lead time: 10-12 weeks

COM/COL		<b>¥98,000</b>
Fabric	C	<b>¥98,000</b>
	B	<b>¥104,000</b>
	A	<b>¥106,000</b>
Leather	C	<b>¥104,000</b>
	B	<b>¥110,000</b>
	A	<b>¥115,000</b>
PU Leather		<b>¥98,000</b>

### Walnut Lead time: 10-12 weeks

COM/COL		<b>¥111,000</b>
Fabric	C	<b>¥111,000</b>
	B	<b>¥117,000</b>
	A	<b>¥119,000</b>
Leather	C	<b>¥117,000</b>
	B	<b>¥123,000</b>
	A	<b>¥129,000</b>
PU Leather		<b>¥111,000</b>



# Utility Stool H760 by Neri&Hu



## UT-S610-760

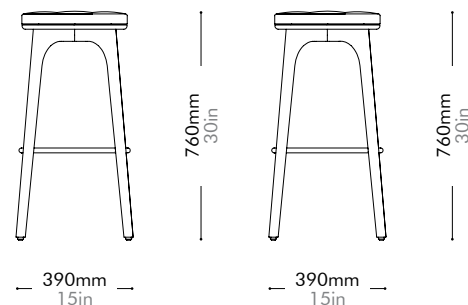
Materials	Solid wood legs, plywood panel, steel hairline aged gold, upholstery		
Dimensions	W390 x D390 x H760mm; SH: 760mm   W15" x D15" x H30"; SH: 30"		
Weight	5.5kg   12lb		
Upholstery	0.3M   5.5SF		
Shipping Volume	0.17CBM		
Pkg Dimensions	FCL	W455 x D455 x H845mm; 9.73kg   W18" x D18" x H33"; 21lb	
	LCL/AIR	W475 x D475 x H865mm; 12.35kg   W19" x D19" x H34"; 27lb	

### Oak Lead time: 10-12 weeks

COM/COL		<b>¥100,000</b>
Fabric	C	<b>¥100,000</b>
	B	<b>¥106,000</b>
	A	<b>¥109,000</b>
Leather	C	<b>¥106,000</b>
	B	<b>¥112,000</b>
	A	<b>¥118,000</b>
PU Leather		<b>¥100,000</b>

### Walnut Lead time: 10-12 weeks

COM/COL		<b>¥116,000</b>
Fabric	C	<b>¥116,000</b>
	B	<b>¥122,000</b>
	A	<b>¥124,000</b>
Leather	C	<b>¥122,000</b>
	B	<b>¥128,000</b>
	A	<b>¥133,000</b>
PU Leather		<b>¥116,000</b>



# Utility Dining Table W1800 by Neri&Hu



## UT-T410-1800

Materials	Solid wood legs, steel hairline aged gold, wood veneer top		
Dimensions	W1800 x D900 x H750mm   W71" x D35" x H30"		
Weight	52.0kg   115lb		
Upholstery			
Shipping Volume	0.30 + 0.04CBM		
Pkg Dimensions	FCL	W1880 x D980 x H165mm; 52.85kg   W74" x D39" x H6"; 117lb	
		W215 x D265 x H765mm; 8.02kg   W8" x D10" x H30"; 18lb	
	LCL/AIR	W1900 x D1000 x H260mm; 74.93kg   W75" x D39" x H10"; 165lb	
		W215 x D265 x H765mm; 8.68kg   W8" x D10" x H30"; 19lb	

**Oak**      Lead time: 10-12 weeks  

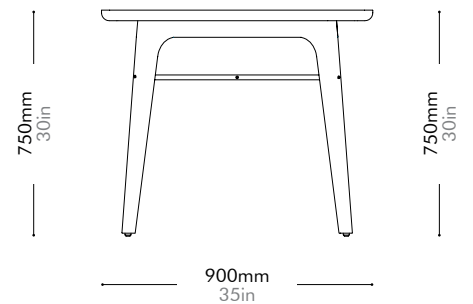
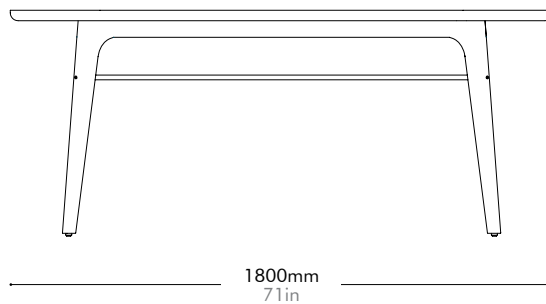

---

**¥382,000**

**Walnut**      Lead time: 10-12 weeks  


---

**¥497,000**



# Utility Dining Table W2100 by Neri&Hu



## UT-T410-2100

Materials Solid wood legs and drawers, steel hairline aged gold, wood veneer top

Dimensions W2100 x D900 x H750mm | W83" x D35" x H30"

Weight 62.0kg | 137lb

Upholstery

Shipping Volume 0.41 + 0.04CBM

Pkg Dimensions FCL W2200 x D1000 x H185mm; 64.07kg | W87" x D39" x H7"; 141lb

W215 x D265 x H765mm; 8.02kg | W8" x D10" x H30"; 18lb

LCL/AIR W2220 x D1020 x H280mm; 90.38kg | W87" x D40" x H11"; 199lb

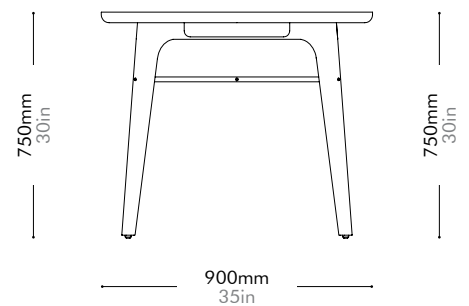
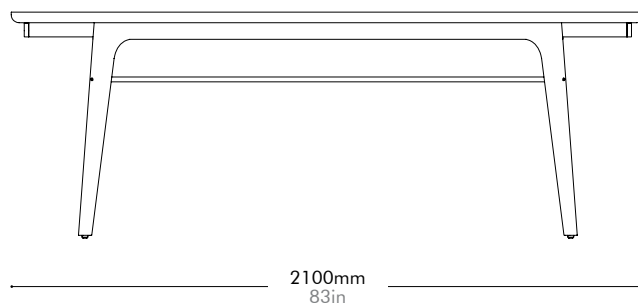
W215 x D265 x H765mm; 8.68kg | W8" x D10" x H30"; 19lb

**Oak** Lead time: 10-12 weeks

**¥433,000**

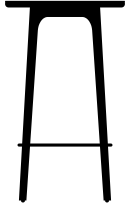
**Walnut** Lead time: 10-12 weeks

**¥569,000**





# Utility Café Table H1050 by Neri&Hu



## UT-T310-1050

Materials	Solid wood legs, steel hairline aged gold, wood veneer top		
Dimensions	W665 x D665 x H1050mm (C630mm)   W26" x D26" x H41"		
Weight	11.5kg   25lb		
Upholstery			
Shipping Volume	0.60CBM		
Pkg Dimensions	FCL	W730 x D730 x H1135mm; 20.20kg   W29" x D29" x H45"; 45lb	
	LCL/AIR	W750 x D750 x H1230mm; 26.73kg   W30" x D30" x H48"; 59lb	

**Oak**      Lead time: 10-12 weeks  

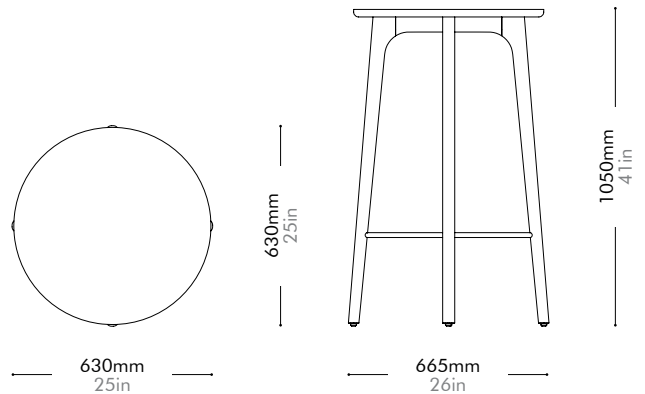

---

**¥139,000**

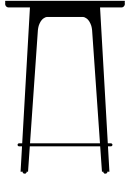
**Walnut**      Lead time: 10-12 weeks  


---

**¥186,000**



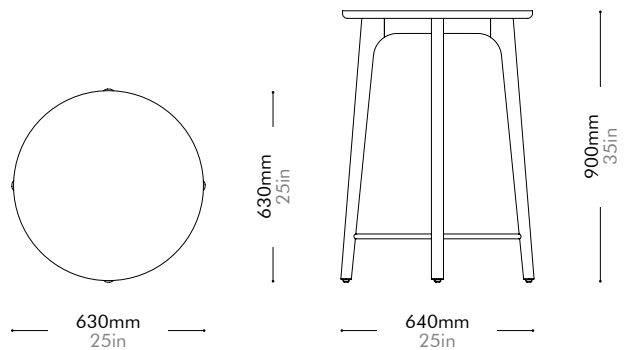
# Utility Café Table H900 by Neri&Hu



## UT-T310-900

Materials	Solid wood legs, steel hairline aged gold, wood veneer top		
Dimensions	W640 x D640 x H900mm (C630mm)   W25" x D25" x H35"		
Weight	9.5kg   21lb		
Upholstery			
Shipping Volume	0.49CBM		
Pkg Dimensions	FCL	W705 x D705 x H985mm; 16.64kg   W28" x D28" x H39"; 37lb	
	LCL/AIR	W725 x D725 x H1080mm; 22.75kg   W29" x D29" x H43"; 50lb	

<b>Oak</b>	Lead time: 10-12 weeks	<b>Walnut</b>	Lead time: 10-12 weeks
	<b>¥128,000</b>		<b>¥168,000</b>



# Utility Round Mirror Small

by Neri&Hu

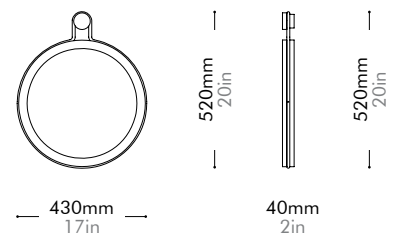


## UT-M110-S

Materials	Solid wood flame, steel hairline aged gold, mirror	
Dimensions	W430 x D40 x H520mm   W17" x D2" x H20"	
Weight	3.5kg   8lb	
Upholstery		
Shipping Volume	0.08CBM	
Pkg Dimensions	FCL/LCL/AIR	W535 x D625 x H225mm; 10.04kg   W21" x D25" x H9"; 22lb

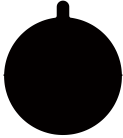
<b>Oak</b>	Lead time: 10-12 weeks
	<b>¥136,000</b>

<b>Walnut</b>	Lead time: 10-12 weeks
	<b>¥148,000</b>



# Utility Round Mirror Large

by Neri&Hu

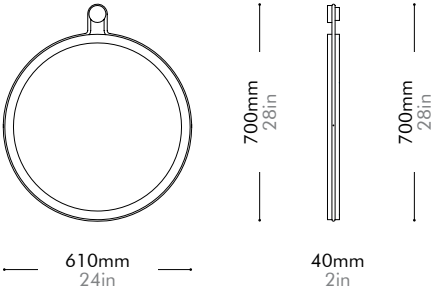


**UT-M110-L**

Materials	Solid wood flame, steel hairline aged gold, mirror	
Dimensions	W610 x D40 x H700mm   W24" x D2" x H28"	
Weight	6.5kg   14lb	
Upholstery		
Shipping Volume	0.13CBM	
Pkg Dimensions	FCL/LCL/AIR	W715 x D805 x H225mm; 16.68kg   W28" x D32" x H9"; 37lb

<b>Oak</b>	Lead time: 10-12 weeks
	<b>¥154,000</b>

<b>Walnut</b>	Lead time: 10-12 weeks
	<b>¥175,000</b>



# Utility Long Mirror Small by Neri&Hu

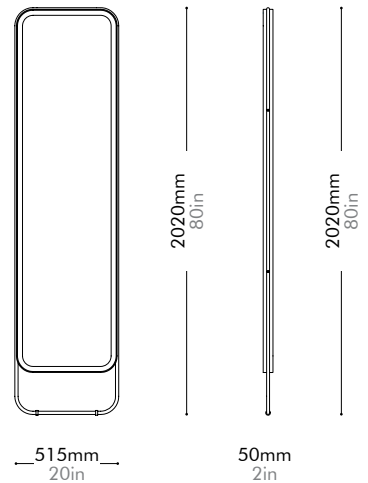


## UT-M120-S

Materials	Solid wood flame, steel hairline aged gold, mirror	
Dimensions	W515 x D50 x H2020mm   W20" x D2" x H80"	
Weight	18.5kg   41lb	
Upholstery		
Shipping Volume	0.20CBM	
Pkg Dimensions	FCL/LCL/AIR	W2200 x D621 x H150mm; 38.47kg   W87" x D24" x H6"; 85lb

<b>Oak</b>	Lead time: 10-12 weeks
	<b>¥210,000</b>

<b>Walnut</b>	Lead time: 10-12 weeks
	<b>¥233,000</b>



# Utility Long Mirror Large by Neri&Hu

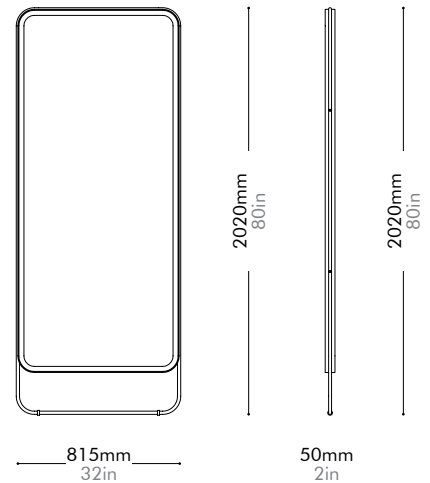


## UT-M120-L

Materials	Solid wood flame, steel hairline aged gold, mirror	
Dimensions	W815 x D50 x H2020mm   W32" x D2" x H80"	
Weight	28.0kg   62lb	
Upholstery		
Shipping Volume	0.30CBM	
Pkg Dimensions	FCL/LCL/AIR	W2200 x D921 x H150mm; 56.08kg   W87" x D36" x H6"; 124lb

<b>Oak</b>	Lead time: 10-12 weeks
	<b>¥261,000</b>

<b>Walnut</b>	Lead time: 10-12 weeks
	<b>¥287,000</b>



# Utility Sofa 1 Side L by Neri&Hu

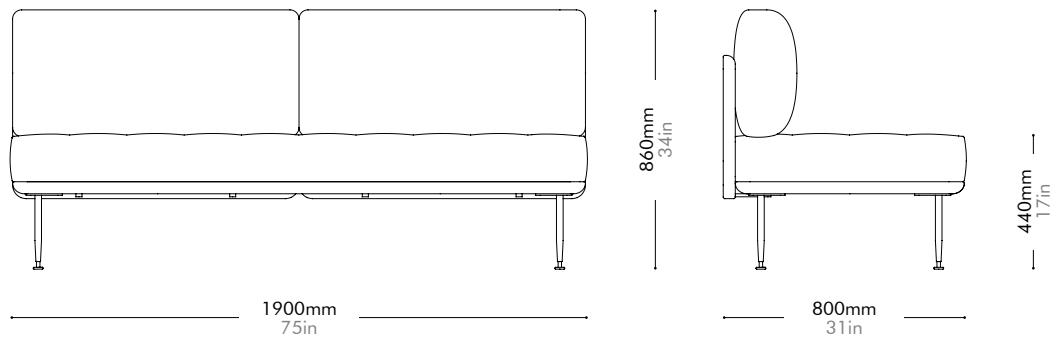


## UT-S410

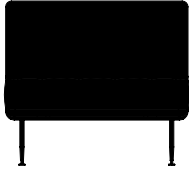
Materials	Wood veneer base, stainless steel hairline aged gold / steel black powder coat matt, upholstery		
Dimensions	W1900 x D800 x H860mm; SH: 440mm   W75" x D31" x H34"; SH: 17"		
Weight	83.9kg   185lb		
Upholstery	8.25M   170.5SF		
Shipping Volume	1.03CBM		
Pkg Dimensions	FCL	W1985 x D885 x H585mm; 93.34kg   W78" x D35" x H23"; 206lb	
	LCL/AIR	W2005 x D905 x H680mm; 114.43kg   W79" x D36" x H27"; 252lb	

<b>Oak</b>		Lead time: 10-12 weeks
COM/COL		<b>¥567,000</b>
Fabric	C	<b>¥567,000</b>
	B	<b>¥723,000</b>
	A	<b>¥778,000</b>
Leather	C	<b>¥779,000</b>
	B	<b>¥966,000</b>
	A	<b>¥1,141,000</b>
PU Leather		<b>¥567,000</b>

<b>Walnut</b>		Lead time: 10-12 weeks
COM/COL		<b>¥632,000</b>
Fabric	C	<b>¥632,000</b>
	B	<b>¥789,000</b>
	A	<b>¥844,000</b>
Leather	C	<b>¥844,000</b>
	B	<b>¥1,031,000</b>
	A	<b>¥1,207,000</b>
PU Leather		<b>¥632,000</b>



# Utility Sofa 1 Side S by Neri&Hu

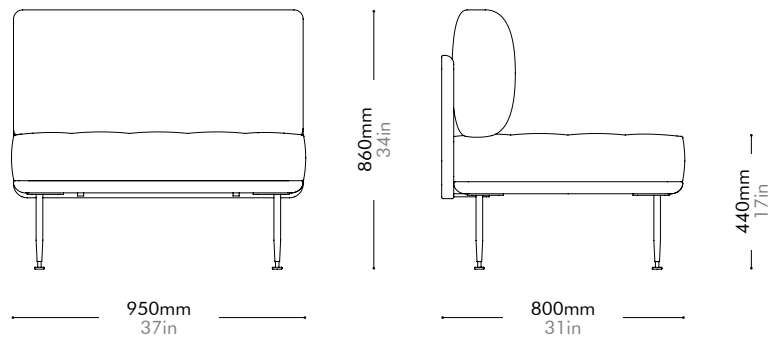


## UT-S411

Materials	Wood veneer base, stainless steel hairline aged gold / steel black powder coat matt, upholstery
Dimensions	W950 x D800 x H860mm; SH: 440mm   W37" x D31" x H34"; SH: 17"
Weight	43.0kg   95lb
Upholstery	4.2M   97.0SF
Shipping Volume	0.54CBM
Pkg Dimensions	FCL W1035 x D885 x H585mm; 48.95kg   W41" x D35" x H23"; 108lb LCL/AIR W1055 x D905 x H680mm; 60.05kg   W42" x D36" x H27"; 132lb

<b>Oak</b>		Lead time: 10-12 weeks
COM/COL		<b>¥354,000</b>
Fabric	C	<b>¥354,000</b>
	B	<b>¥429,000</b>
	A	<b>¥455,000</b>
Leather	C	<b>¥456,000</b>
	B	<b>¥547,000</b>
	A	<b>¥632,000</b>
PU Leather		<b>¥354,000</b>

<b>Walnut</b>		Lead time: 10-12 weeks
COM/COL		<b>¥399,000</b>
Fabric	C	<b>¥399,000</b>
	B	<b>¥474,000</b>
	A	<b>¥500,000</b>
Leather	C	<b>¥502,000</b>
	B	<b>¥592,000</b>
	A	<b>¥677,000</b>
PU Leather		<b>¥399,000</b>





# Utility Sofa 2 Sides L-L by Neri&Hu



## UT-S420-L

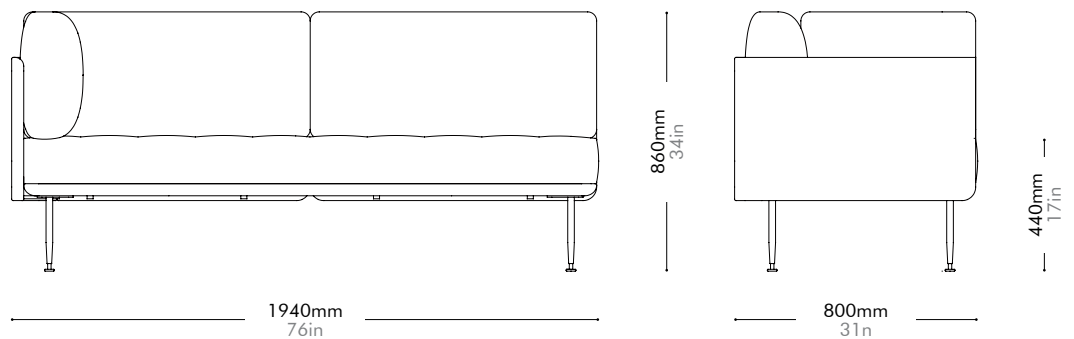
Materials	Wood veneer base, stainless steel hairline aged gold / steel black powder coat matt, upholstery		
Dimensions	W1940 x D800 x H860mm; SH: 440mm   W76" x D31" x H34"; SH: 17"		
Weight	88.0kg   194lb		
Upholstery	9.6M   214.5SF		
Shipping Volume	1.05CBM		
Pkg Dimensions	FCL	W2025 x D885 x H585mm; 97.59kg   W80" x D35" x H23"; 215lb	
	LCL/AIR	W2045 x D905 x H680mm; 119.10kg   W81" x D36" x H27"; 263lb	

### Oak Lead time: 10-12 weeks

COM/COL		<b>¥685,000</b>
Fabric	C	<b>¥685,000</b>
	B	<b>¥865,000</b>
	A	<b>¥928,000</b>
Leather	C	<b>¥960,000</b>
	B	<b>¥1,195,000</b>
	A	<b>¥1,416,000</b>
PU Leather		<b>¥685,000</b>

### Walnut Lead time: 10-12 weeks

COM/COL		<b>¥759,000</b>
Fabric	C	<b>¥759,000</b>
	B	<b>¥939,000</b>
	A	<b>¥1,002,000</b>
Leather	C	<b>¥1,034,000</b>
	B	<b>¥1,269,000</b>
	A	<b>¥1,490,000</b>
PU Leather		<b>¥759,000</b>



# Utility Sofa 2 Sides L-R by Neri&Hu



## UT-S420-R

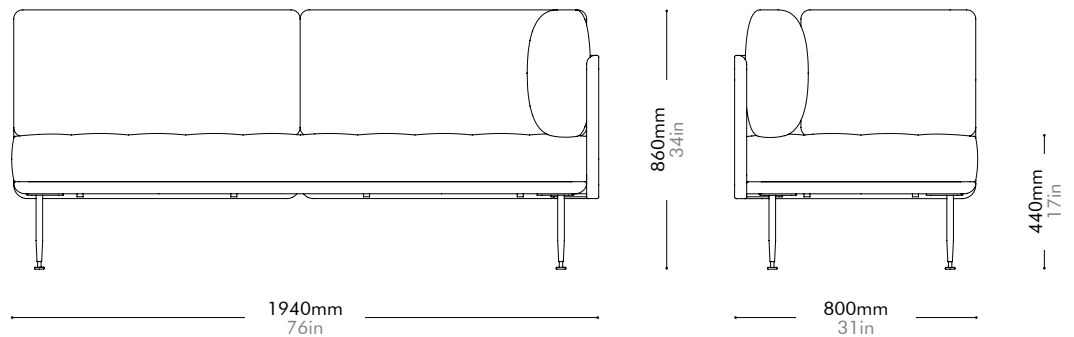
Materials	Wood veneer base, stainless steel hairline aged gold / steel black powder coat matt, upholstery		
Dimensions	W1940 x D800 x H860mm; SH: 440mm   W76" x D31" x H34"; SH: 17"		
Weight	88.0kg   194lb		
Upholstery	9.6M   214.5SF		
Shipping Volume	1.05CBM		
Pkg Dimensions	FCL	W2025 x D885 x H585mm; 97.59kg   W80" x D35" x H23"; 215lb	
	LCL/AIR	W2045 x D905 x H680mm; 119.10kg   W81" x D36" x H27"; 263lb	

### Oak Lead time: 10-12 weeks

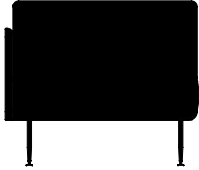
COM/COL		<b>¥685,000</b>
Fabric	C	<b>¥685,000</b>
	B	<b>¥865,000</b>
	A	<b>¥928,000</b>
Leather	C	<b>¥960,000</b>
	B	<b>¥1,195,000</b>
	A	<b>¥1,416,000</b>
PU Leather		<b>¥685,000</b>

### Walnut Lead time: 10-12 weeks

COM/COL		<b>¥759,000</b>
Fabric	C	<b>¥759,000</b>
	B	<b>¥939,000</b>
	A	<b>¥1,002,000</b>
Leather	C	<b>¥1,034,000</b>
	B	<b>¥1,269,000</b>
	A	<b>¥1,490,000</b>
PU Leather		<b>¥759,000</b>



# Utility Sofa 2 Sides S-L by Neri&Hu



## UT-S421-L

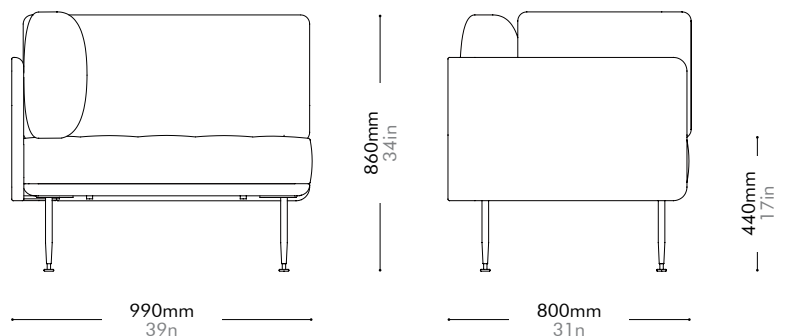
Materials	Wood veneer base, stainless steel hairline aged gold / steel black powder coat matt, upholstery		
Dimensions	W990 x D800 x H860mm; SH: 440mm   W39" x D31" x H34"; SH: 17"		
Weight	45.0kg   99lb		
Upholstery	4.2M   82.5SF		
Shipping Volume	0.56CBM		
Pkg Dimensions	FCL	W1075 x D885 x H585mm; 51.10kg   W42" x D35" x H23"; 112lb	
	LCL/AIR	W1095 x D905 x H680mm; 62.62kg   W43" x D36" x H27"; 138lb	

### Oak Lead time: 10-12 weeks

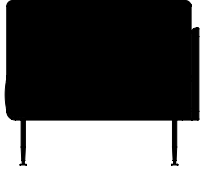
COM/COL		<b>¥524,000</b>
Fabric	C	<b>¥524,000</b>
	B	<b>¥643,000</b>
	A	<b>¥685,000</b>
Leather	C	<b>¥689,000</b>
	B	<b>¥834,000</b>
	A	<b>¥970,000</b>
PU Leather		<b>¥524,000</b>

### Walnut Lead time: 10-12 weeks

COM/COL		<b>¥569,000</b>
Fabric	C	<b>¥569,000</b>
	B	<b>¥688,000</b>
	A	<b>¥730,000</b>
Leather	C	<b>¥734,000</b>
	B	<b>¥879,000</b>
	A	<b>¥1,015,000</b>
PU Leather		<b>¥569,000</b>



# Utility Sofa 2 Sides S-R by Neri&Hu

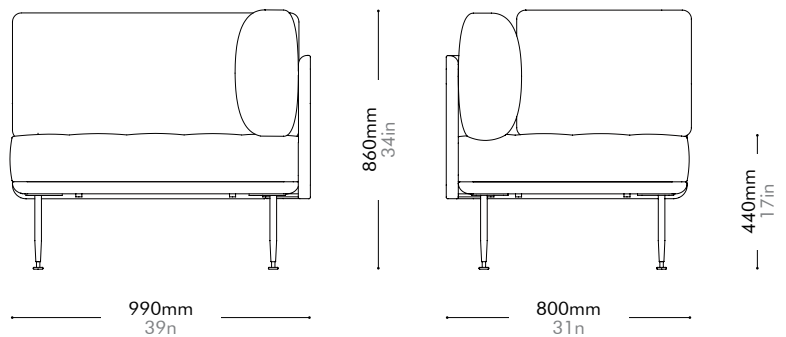


## UT-S421-R

Materials	Wood veneer base, stainless steel hairline aged gold / steel black powder coat matt, upholstery		
Dimensions	W990 x D800 x H860mm; SH: 440mm   W39" x D31" x H34"; SH: 17"		
Weight	45.0kg   99lb		
Upholstery	4.2M   82.5SF		
Shipping Volume	0.56CBM		
Pkg Dimensions	FCL	W1075 x D885 x H585mm; 51.10kg   W42" x D35" x H23"; 112lb	
	LCL/AIR	W1095 x D905 x H680mm; 62.62kg   W43" x D36" x H27"; 138lb	

<b>Oak</b>		Lead time: 10-12 weeks
COM/COL		<b>¥524,000</b>
Fabric	C	<b>¥524,000</b>
	B	<b>¥643,000</b>
	A	<b>¥685,000</b>
Leather	C	<b>¥689,000</b>
	B	<b>¥834,000</b>
	A	<b>¥970,000</b>
PU Leather		<b>¥524,000</b>

<b>Walnut</b>		Lead time: 10-12 weeks
COM/COL		<b>¥569,000</b>
Fabric	C	<b>¥569,000</b>
	B	<b>¥688,000</b>
	A	<b>¥730,000</b>
Leather	C	<b>¥734,000</b>
	B	<b>¥879,000</b>
	A	<b>¥1,015,000</b>
PU Leather		<b>¥569,000</b>



# Utility Sofa 3 Sides L by Neri&Hu

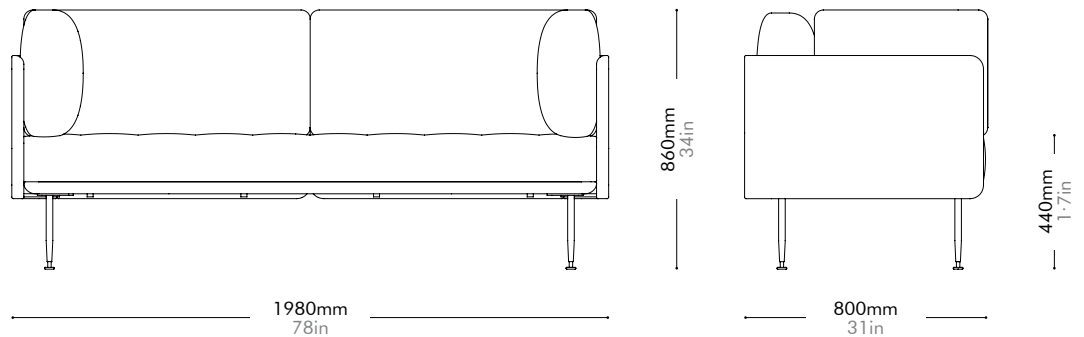


## UT-S430

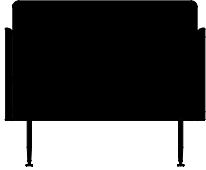
Materials	Wood veneer base, stainless steel hairline aged gold / steel black powder coat matt, upholstery
Dimensions	W1980 x D800 x H860mm; SH: 440mm   W78" x D31" x H34"; SH: 17"
Weight	90.0kg   198lb
Upholstery	10.8M   242.0SF
Shipping Volume	1.07CBM
Pkg Dimensions	FCL W2065 x D885 x H585mm; 99.74kg   W81" x D35" x H23"; 220lb LCL/AIR W2085 x D905 x H680mm; 121.66kg   W82" x D36" x H27"; 268lb

<b>Oak</b>		Lead time: 10-12 weeks
COM/COL		<b>¥731,000</b>
Fabric	C	<b>¥731,000</b>
	B	<b>¥921,000</b>
	A	<b>¥987,000</b>
Leather	C	<b>¥1,017,000</b>
	B	<b>¥1,264,000</b>
	A	<b>¥1,495,000</b>
PU Leather		<b>¥731,000</b>

<b>Walnut</b>		Lead time: 10-12 weeks
COM/COL		<b>¥791,000</b>
Fabric	C	<b>¥791,000</b>
	B	<b>¥981,000</b>
	A	<b>¥1,047,000</b>
Leather	C	<b>¥1,077,000</b>
	B	<b>¥1,324,000</b>
	A	<b>¥1,555,000</b>
PU Leather		<b>¥791,000</b>



# Utility Sofa 3 Sides S by Neri&Hu



## UT-S431

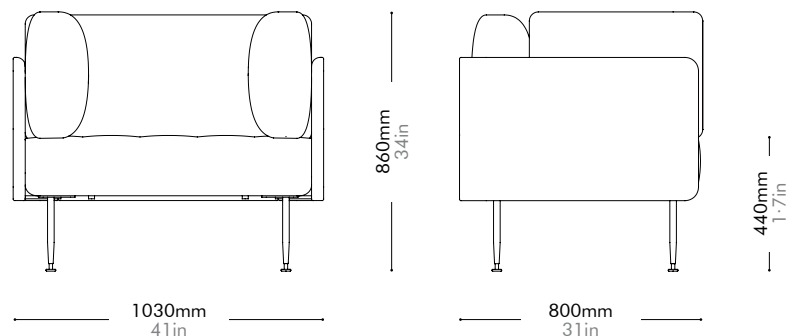
Materials	Wood veneer base, stainless steel hairline aged gold / steel black powder coat matt, upholstery		
Dimensions	W1030 x D800 x H860mm; SH: 440mm   W41" x D31" x H34"; SH: 17"		
Weight	47.0kg   104lb		
Upholstery	7.7M   165.0SF		
Shipping Volume	0.58CBM		
Pkg Dimensions	FCL	W1115 x D885 x H585mm; 53.25kg   W44" x D35" x H23"; 117lb	
	LCL/AIR	W1135 x D905 x H680mm; 65.18kg   W45" x D36" x H27"; 144lb	

### Oak Lead time: 10-12 weeks

COM/COL		<b>¥586,000</b>
Fabric	C	<b>¥586,000</b>
	B	<b>¥732,000</b>
	A	<b>¥784,000</b>
Leather	C	<b>¥794,000</b>
	B	<b>¥975,000</b>
	A	<b>¥1,144,000</b>
PU Leather		<b>¥586,000</b>

### Walnut Lead time: 10-12 weeks

COM/COL		<b>¥631,000</b>
Fabric	C	<b>¥631,000</b>
	B	<b>¥777,000</b>
	A	<b>¥829,000</b>
Leather	C	<b>¥839,000</b>
	B	<b>¥1,020,000</b>
	A	<b>¥1,190,000</b>
PU Leather		<b>¥631,000</b>



# Utility Ottoman

by Neri&Hu

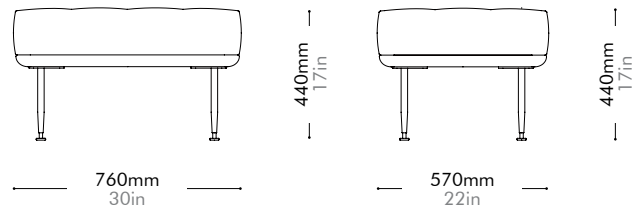


## UT-S510

Materials	Wood veneer base, stainless steel hairline aged gold / steel black powder coat matt, upholstery	
Dimensions	W760 x D570 x H440mm; SH: 440mm   W30" x D22" x H17"; SH: 17"	
Weight	8.0kg   18lb	
Upholstery	2.0M   38.5SF	
Shipping Volume	0.19CBM	
Pkg Dimensions	FCL	W825 x D635 x H355mm; 10.92kg   W32" x D25" x H14"; 24lb
	LCL/AIR	W845 x D655 x H450mm; 17.35kg   W33" x D26" x H18"; 38lb

<b>Oak</b>		Lead time: 10-12 weeks
COM/COL		<b>¥221,000</b>
Fabric	C	<b>¥221,000</b>
	B	<b>¥256,000</b>
	A	<b>¥268,000</b>
Leather	C	<b>¥268,000</b>
	B	<b>¥309,000</b>
	A	<b>¥348,000</b>
PU Leather		<b>¥221,000</b>

<b>Walnut</b>		Lead time: 10-12 weeks
COM/COL		<b>¥259,000</b>
Fabric	C	<b>¥259,000</b>
	B	<b>¥293,000</b>
	A	<b>¥306,000</b>
Leather	C	<b>¥305,000</b>
	B	<b>¥347,000</b>
	A	<b>¥385,000</b>
PU Leather		<b>¥259,000</b>



# Utility Daybed

by Neri&Hu



## UT-B110

Materials	Solid wood legs, veneer plywood panel, upholstery		
Dimensions	W1995 x D840 x H485mm; SH: 435mm   W79" x D33" x H19"; SH: 17"		
Weight	20.0kg   44lb		
Upholstery	3.3M   52.8SF		
Shipping Volume	1.06CBM		
Pkg Dimensions	FCL	W2060 x D905 x H570mm; 29.70kg   W81" x D36" x H22"; 65lb	
	LCL/AIR	W2080 x D925 x H665mm; 52.06kg   W82" x D36" x H26"; 115lb	

### Oak

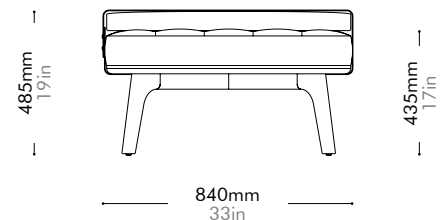
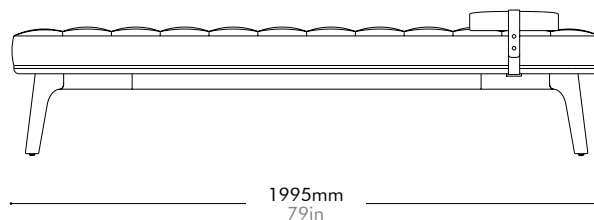
Lead time: 10-12 weeks

COM/COL		<b>¥313,000</b>
Fabric	C	<b>¥313,000</b>
	B	<b>¥369,000</b>
	A	<b>¥389,000</b>
Leather	C	<b>¥366,000</b>
	B	<b>¥418,000</b>
	A	<b>¥466,000</b>
PU Leather		<b>¥313,000</b>

### Walnut

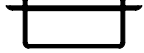
Lead time: 10-12 weeks

COM/COL		<b>¥339,000</b>
Fabric	C	<b>¥339,000</b>
	B	<b>¥395,000</b>
	A	<b>¥415,000</b>
Leather	C	<b>¥392,000</b>
	B	<b>¥444,000</b>
	A	<b>¥493,000</b>
PU Leather		<b>¥339,000</b>





# Utility Shelf Extension by Neri&Hu



## UT-S400-A1

Materials	Solid wood and wood veneer top, stainless steel hairline aged gold / steel black powder coat matt
Dimensions	W700 x D265 x H250mm   W28" x D10" x H10"
Weight	1.5kg   3lb
Upholstery	
Shipping Volume	
Pkg Dimensions	

### Oak

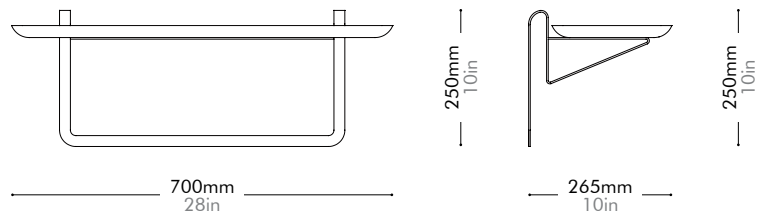
Lead time: 10-12 weeks

¥73,000

### Walnut

Lead time: 10-12 weeks

¥79,000



# Piano Chair (1955) by Vilhelm Wohlert



## VW-S210-WD

Materials	Solid wood frame, wood veneer seat		
Dimensions	W480 x D450 x H755mm; SH: 450mm   W19" x D18" x H30"; SH: 18"		
Weight	4.0kg   9lb		
Upholstery			
Shipping Volume	0.24CBM		
Pkg Dimensions	FCL	W545 x D515 x H840mm; 8.69kg   W21" x D20" x H33"; 19lb	
	LCL/AIR	W585 x D555 x H930mm; 12.46kg   W23" x D22" x H37"; 27lb	

**Oak**      Lead time: 10-12 weeks  

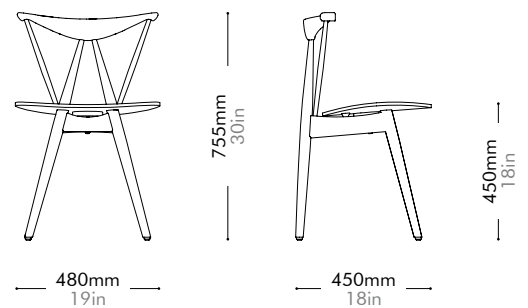

---

**¥141,000**

**Walnut**      Lead time: 10-12 weeks  


---

**¥168,000**



# Louisiana Chair (1958) by Vilhelm Wohlert

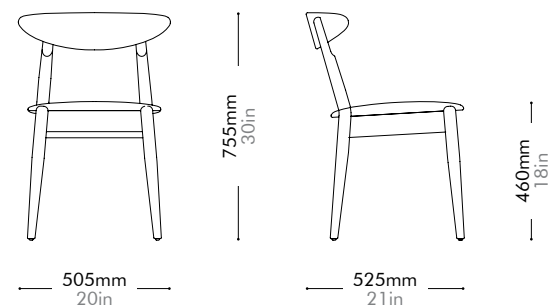


## VW-S220

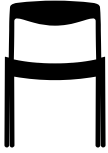
Materials	Solid wood frame, wood veneer back, upholstered seat		
Dimensions	W505 x D525 x H755mm; SH: 460mm   W20" x D21" x H30"; SH: 18"		
Weight	4.5kg   10lb		
Upholstery	0.4M   5.5SF		
Shipping Volume	0.28CBM		
Pkg Dimensions	FCL	W570 x D590 x H840mm; 9.54kg   W22" x D23" x H33"; 21lb	
	LCL/AIR	W610 x D630 x H930mm; 14.01kg   W24" x D25" x H37"; 31lb	

<b>Oak</b>		Lead time: 10-12 weeks
COM/COL		<b>¥139,000</b>
Fabric	C	<b>¥139,000</b>
	B	<b>¥153,000</b>
	A	<b>¥155,000</b>
Leather	C	<b>¥152,000</b>
	B	<b>¥157,000</b>
	A	<b>¥162,000</b>
PU Leather		<b>¥139,000</b>

<b>Walnut</b>		Lead time: 10-12 weeks
COM/COL		<b>¥168,000</b>
Fabric	C	<b>¥168,000</b>
	B	<b>¥173,000</b>
	A	<b>¥175,000</b>
Leather	C	<b>¥173,000</b>
	B	<b>¥178,000</b>
	A	<b>¥182,000</b>
PU Leather		<b>¥168,000</b>



# Church Chair (1956) by Vilhelm Wohlert

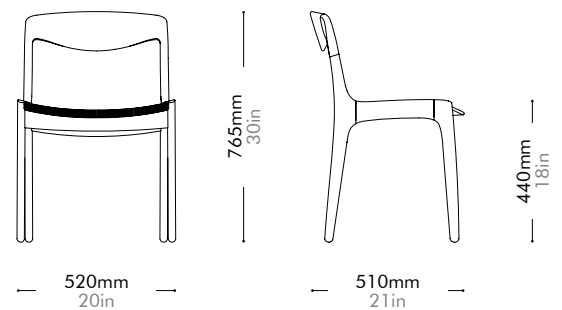


## VW-S240

Materials	Solid wood frame, paper cord seat		
Dimensions	W520 x D510 x H765mm; SH: 440mm   W20" x D21" x H30"; SH: 18"		
Weight	4.5kg   10lb		
Upholstery			
Shipping Volume	0.29CBM		
Pkg Dimensions	FCL	W585 x D575 x H850mm; 9.61kg   W23" x D23" x H33"; 21lb	
	LCL/AIR	W625 x D615 x H940mm; 14.08kg   W25" x D24" x H37"; 31lb	

<b>Oak</b>	Lead time: 10-12 weeks
	<b>¥169,000</b>

<b>Walnut</b>	Lead time: 10-12 weeks
	<b>¥210,000</b>



# Wohlert Bar Chair by Vilhelm Wohlert

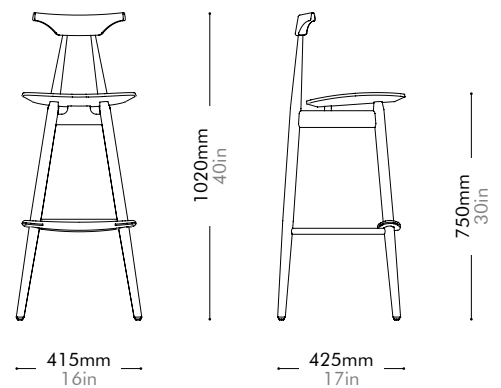


## VW-S310

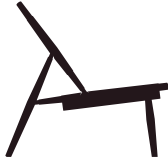
Materials	Solid wood
Dimensions	W415 x D425 x H1020mm; SH: 750mm   W16" x D17" x H40"; SH: 30"
Weight	5.0kg   11lb
Upholstery	
Shipping Volume	0.26CBM
Pkg Dimensions	FCL W480 x D490 x H1105mm; 11.32kg   W19" x D19" x H44"; 25lb LCL/AIR W500 x D510 x H1200mm; 14.28kg   W20" x D20" x H47"; 31lb

<b>Oak</b>	Lead time: 10-12 weeks
	<b>¥213,000</b>

<b>Walnut</b>	Lead time: 10-12 weeks
	<b>¥265,000</b>



# Triangle Chair (1952) by Wilhelm Wohlert

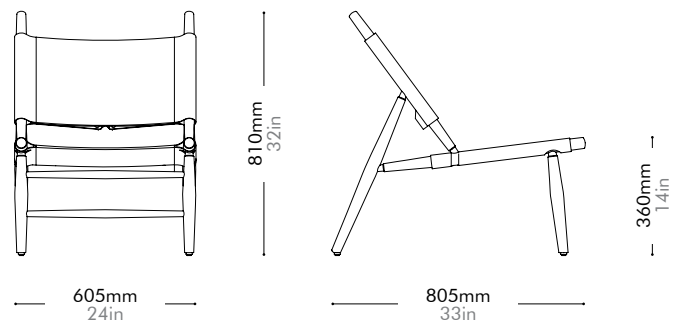


## VW-S110

Materials	Solid wood frame, saddle leather seat and back		
Dimensions	W605 x D850 x H810mm; SH: 360mm   W24" x D33" x H32"; SH: 14"		
Weight	5.0kg   11lb		
Upholstery			
Shipping Volume	0.55CBM		
Pkg Dimensions	FCL	W670 x D915 x H895mm; 12.08kg   W26" x D36" x H35"; 27lb	
	LCL/AIR	W690 x D935 x H990mm; 19.58kg   W27" x D37" x H39"; 43lb	

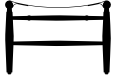
<b>Oak</b>	Lead time: 10-12 weeks
Saddle Leather	<b>¥294,000</b>

<b>Walnut</b>	Lead time: 10-12 weeks
Saddle Leather	<b>¥322,000</b>



# Triangle Ottoman

by Vilhelm Wohlert

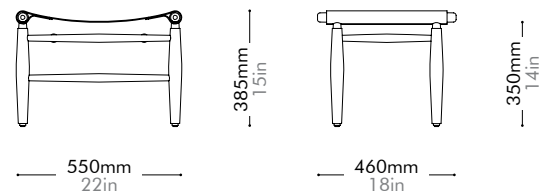


## VW-S510

Materials	Solid wood frame, saddle leather seat		
Dimensions	W550 x D460 x H385mm; SH: 350mm   W22" x D18" x H15"; SH: 14"		
Weight	3.0kg   7lb		
Upholstery			
Shipping Volume	0.15CBM		
Pkg Dimensions	FCL	W615 x D525 x H470mm; 5.70kg   W24" x D21" x H19"; 13lb	
	LCL/AIR	W635 x D545 x H490mm; 9.72kg   W25" x D21" x H19"; 21lb	

<b>Oak</b>	Lead time: 10-12 weeks
Saddle Leather	<b>¥129,000</b>

<b>Walnut</b>	Lead time: 10-12 weeks
Saddle Leather	<b>¥145,000</b>



# Louisiana Stool

## by Vilhelm Wohlert



### VW-S620

Materials	Solid wood frame, upholstered seat	
Dimensions	W445 x D435 x H455mm; SH: 445mm   W18" x D17" x H18"; SH: 18"	
Weight	2.5kg   12lb	
Upholstery	0.6M   3.0SF	
Shipping Volume	0.14CBM	
Pkg Dimensions	FCL	W510 x D500 x H540mm; 5.23kg   W20" x D20" x H21"; 12lb
	LCL/AIR	W530 x D520 x H560mm; 8.43kg   W21" x D20" x H22"; 19lb

### Oak

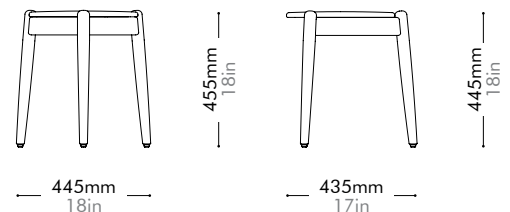
Lead time: 10-12 weeks

COM/COL		<b>¥81,000</b>
Fabric	C	<b>¥81,000</b>
	B	<b>¥91,000</b>
	A	<b>¥95,000</b>
Leather	C	<b>¥83,000</b>
	B	<b>¥93,000</b>
	A	<b>¥97,000</b>
PU Leather		<b>¥81,000</b>

### Walnut

Lead time: 10-12 weeks

COM/COL		<b>¥90,000</b>
Fabric	C	<b>¥90,000</b>
	B	<b>¥100,000</b>
	A	<b>¥103,000</b>
Leather	C	<b>¥92,000</b>
	B	<b>¥102,000</b>
	A	<b>¥106,000</b>
PU Leather		<b>¥90,000</b>





# Louisiana Side Table by Vilhelm Wohlert



## VW-T110

Materials	Solid wood
Dimensions	W445 x D435 x H455mm; SH: 445mm   W18" x D17" x H18"; SH: 18"
Weight	2.5kg   12lb
Upholstery	
Shipping Volume	0.14CBM
Pkg Dimensions	FCL W510 x D500 x H540mm; 5.23kg   W20" x D20" x H21"; 12lb
	LCL/AIR W530 x D520 x H560mm; 8.43kg   W21" x D20" x H22"; 19lb

<b>Oak</b>	Lead time: 10-12 weeks
	<b>¥62,000</b>

<b>Walnut</b>	Lead time: 10-12 weeks
	<b>¥78,000</b>

